



11/2016

Operating Instructions

Dremotest E

8612-012 · 8612-050

8612-300 · 8612-1000

8612-3150



EN

ES

FR

DE

NL

IT

PL

PT

RU

TR

CN



Electronic Torque Tester DREMOTEST E

Probador de torque eléctrico DREMOTEST E

Contrôleur de couple électronique DREMOTEST E

Elektronisches Prüfgerät DREMOTEST E

Elektronisch testapparaat DREMOTEST E

Strumento elettronico di prova DREMOTEST E

Elektroniczny przyrząd kontrolny DREMOTEST E

Aparelho electrónico de ensaio DREMOTEST E

Электронный контрольный прибор DREMOTEST E

Elektronik test cihazı DREMOTEST E

电子检测仪 DREMOTEST E


EN	Operating Instructions	(Translation of the German Operating Instructions)	4 - 22
		AVOID INJURY. You MUST read and understand these Operating Instructions before using the product!	
ES	Instrucciones de manejo	(Traducción de las instrucciones de manejo)	23 - 42
		EVITE LESIONES. Usted DEBE leer y entender estas instrucciones de manejo antes de usar el producto!	
FR	Instructions d'emploi (Traduction des instructions d'emploi)		43 - 62
		POUR EVITER LES BLESSURES, vous DEVEZ lire et comprendre les instructions d'emploi avant d'utiliser le produit!	
DE	Betriebsanleitung (Original-Betriebsanleitung)		63 - 82
		VERMEIDEN SIE VERLETZUNGEN. Sie MÜSSEN diese Betriebsanleitung lesen und verstehen, bevor Sie das Produkt benutzen.	
NL	Gebruiksaanwijzing (Vertaling van de gebruiksaanwijzing)		83 - 102
		VOORKOM LETSEL. U MOET deze handleiding lezen en begrijpen alvorens het product in gebruik te nemen.	
IT	Istruzioni per l'uso (Traduzione delle istruzioni per l'uso)		103 - 121
		EVITARE LESIONI. Leggere e comprendere ASSOLUTAMENTE le presenti istruzioni per l'uso prima di utilizzare il prodotto.	
PL	Instrukcji eksploatacji (Tłumaczenie instrukcji eksploatacji)		122 - 141
		Przed rozpoczęciem korzystania z produktu NALEŻY bezwzględnie przeczytać instrukcji eksploatacji.	
PT	Instruções de funcionamento	(Tradução das instruções de funcionamento)	142 - 161
		EVITE FERIMENTOS. DEVE ler e compreender estas instruções de funcionamento, antes de utilizar o produto!	
RU	Руководство по эксплуатации	(Перевод руководства по эксплуатации)	162 - 182
		ИЗБЕГАЙТЕ ТРАВМ. Перед использованием изделия НЕОБХОДИМО прочитать и понять это руководство по эксплуатации.	
TR	İşletme kılavuzu (İşletme kılavuzunun tercümesidir)		183 - 201
		YARALANMALARDAN KAÇININ. Ürünü kullanmadan önce bu kullanma kılavuzunu okuyup anlamaz ZORUNLUDUR .	
CN	装配说明书 (译自德文原版装配说明书)		202 - 218
		为避免损伤，您必须在使用扭矩扳手前仔细阅读和理解使用说明书	

Table of Contents

1. Important Safety Information	5
1.1 Safety Warnings	5
OVERLOAD HAZARD	6
INACCURATE TORQUE SETTINGS	6
EXPLOSION AND FIRE HAZARD	6
TEMPERATURE CONDITIONS	7
RISK OF ELECTROCUTION	7
1.2 Personal Protective Gear	7
1.3 Intended Use	8
1.4 Handling	8
1.5 Work Environment	9
2. Product Description	10
2.1 Scope of Delivery	11
3. Using the Torque Tester	11
3.1 Terms Used	12
3.2 Mounting the Torque Tester	12
3.3 Activating / Deactivating	13
3.3.1 Activating	14
3.3.2 Deactivating	14
3.4 Taring the Torque Tester	14
3.5 Switching the Units of Measurement	15
3.6 RS232 Interface and Connection to a Computer	15
3.7 Testing a Torque Wrench with the Torque Tester	16
3.8 Electronic overload notification	19
4. Maintenance	19
4.1 Testing and Calibrating	19
4.2 Care and Storage	21
5. Accessories and Parts	21
6. Environmentally Friendly Disposal	21
7. Manufacturer	21
8. Technical Data	22

1. Important Safety Information



Read and understand these Operating Instructions before using the torque tester. **SERIOUS INJURY** or **DEATH** can result from incorrect use.

These Operating Instructions are part of the torque tester. They must be kept in a safe place for later use and be passed along with the torque tester if it is sold, loaned, or otherwise transferred.



The torque tester should only be used by **TRAINED PERSONNEL** who have been taught how to safely use and handle the torque tester. Using the torque tester without training may result in **SERIOUS INJURY** or **DEATH**.

Employers purchasing this torque tester **MUST** ensure employees using the torque tester have read and understood the Operating Instructions prior to using the torque tester. The Operating Instructions **MUST** be available to the employees for reference at all times.

1.1 Safety Warnings

Throughout this operating manual **WARNING**, **CAUTION**, **NOTICE** and the safety alert symbol will be used.

WARNING

Indicates a hazardous situation that, if not avoided, could result in death or serious injury.

CAUTION

Indicates a hazardous situation that, if not avoided, could result in minor or moderate injury.

NOTICE

Addresses practices not related to personal injury, but are related to property damage or in damage to the torque wrench.



This is the safety alert symbol. It is used to alert you to potential personal injury hazards. Obey all safety messages that follow this symbol to avoid possible injury or death.

⚠WARNING**OVERLOAD HAZARD**

The torque tester can be overloaded during use and break causing **SERIOUS INJURY** or **DEATH**.

ALWAYS use only original accessory parts. Accessory parts not approved by Gedore may not bear the loads or cause the torque tester to overload.

ALWAYS inspect the torque tester for damage **BEFORE** use.

NEVER use a damaged torque tester.

NEVER use the torque tester if it has been dropped, if it has been used to strike other objects, or if anything has fallen on it.

⚠WARNING**INACCURATE TORQUE SETTINGS**

An out-of-calibration torque tester can result in the failure of the screw connections, the torque wrench, or the accessories. This could cause **SERIOUS INJURY** or **DEATH**.

An out-of-calibration torque tester may cause the torque wrench settings to be over- or under- torque, resulting in **SERIOUS INJURY** or **DEATH**.

ALWAYS use tested and calibrated torque testers **ONLY** (see Section 4.1 Testing and Calibrating).

⚠WARNING**EXPLOSION AND FIRE HAZARD**

Sparks can occur when using the torque tester, which can cause an explosion or a fire and could cause **SERIOUS INJURY** or **DEATH**.

NEVER use the torque wrench in areas where sparks can cause explosions or fires.

⚠WARNING**TEMPERATURE CONDITIONS**

When the torque tester is exposed to temperatures less than 64°F (18°C) or above 82°F (28°C) or high levels of humidity (above 90%), it may cause inaccurate torque settings.

ALWAYS check the torque tester with approved torque measuring equipment before use in extreme climatic conditions.

⚠WARNING**RISK OF ELECTROCUTION**

NEVER use the torque tester in areas with high electromagnetic or ionizing radiation.

NEVER use the torque tester in the open or in damp spaces.

NEVER touch the power unit or plug and socket connections with wet hands.

ALWAYS use the torque tester with the power unit provided.

ONLY connect the power unit to the power network if the power unit voltage and power unit frequency specified agree with the supply voltage and supply frequency of the power network.

ONLY connect undamaged power units and supply lines to the torque tester.

NEVER cover power units that are connected.

1.2 Personal Protective Gear

ALWAYS wear the following personal protective equipment when using the torque tester. The torque wrench can slip or break, causing **SERIOUS INJURY** or **DEATH**:



EYE PROTECTION designed to protect you from flying objects (see ANSI/ISEA Z87.1) must be worn when using the torque tester.

- Flying objects can cause **SERIOUS INJURY** to your eyes.



SAFETY GLOVES must be worn when using the torque tester.

- The torque wrench can slip or break causing **SERIOUS INJURY** to your fingers and hands.



SAFETY SHOES with slip-resistant soles and steel toe caps (see ASTM F2413-05) must be worn when using the torque tester.

- Falling parts can cause **SERIOUS INJURY** to feet and toes.

1.3 Intended Use

The torque tester is designed to test clockwise releasing torque wrenches.

- **DO NOT** use the torque tester for any other purpose.
- **MISUSE** can lead to **SERIOUS INJURY** or **DEATH**.
- **DO NOT** allow children to use the torque tester.

1.4 Handling

⚠ WARNING

Unsafe use and improper handling can cause **SERIOUS INJURY** or **DEATH**. Take the following safety precautions to prevent injuries and property damage:

- **ALWAYS** check the torque tester, particularly the adaptor and the housing, as well as the accessory parts, for visible damage prior to use.
- **NEVER** use a damaged torque tester.
- **NEVER** use a torque tester and accessory parts that have been modified.
- **NEVER** modify a torque tester and accessory parts.
- **ALWAYS** apply the torque tester in the direction of rotation specified. Follow the direction of the rotation arrow.
- **ALWAYS** use standard accessory parts or parts approved by the manufacturer.
- **ALWAYS** transport the torque tester in shockproof packaging materials.

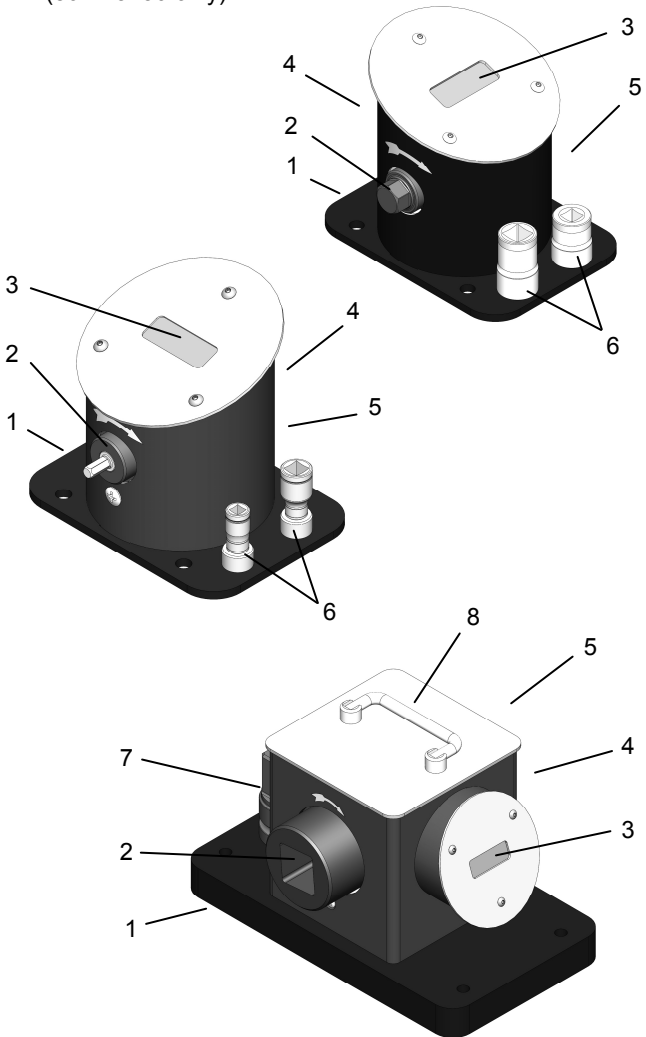
1.5 Work Environment

ALWAYS use the torque tester in a safe work environment.

- Keep the work area clean and tidy.
- Use the torque tester in a large and secured area.
- The work area must be free of high dust concentration.
- NEVER use the torque tester in the open or in damp spaces.
- NEVER use the torque tester in areas with high electromagnetic or ionizing radiation.

2. Product Description

1. Base Plate
2. Drive
3. Display
4. Plug and Socket Connection/Power Supply
5. RS232 Interface
6. Wrench Socket
7. Extension Piece
8. Transport Handle
(8612-3150 only)



2.1 Scope of Delivery

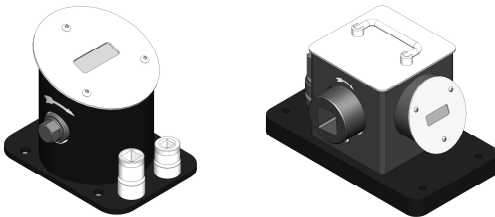
- Electronic Torque Tester
- Power Unit
- 100 – 240 V; 50 – 60 Hz; maximum 500 mA
Note: See rating plate.
- Wrench Sockets
(1x extension piece for 8612-3150) (WAF and drive according to design size)
- Operating Instructions
- Calibration Certificate
- Shipping Package
- RS232 Cable

3. Using the Torque Tester

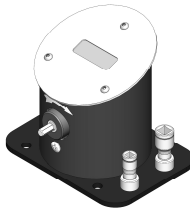


ALWAYS read Section 1 (Important Safety Information) BEFORE using the torque tester.

The instructions describe the use of the following product types:



- Torque tester with external hexagon or internal square adaptor on the side



- Torque tester with external hexagon adaptor on the front

The test process is represented schematically by a torque tester with side adaptor (external hexagon) for the torque wrench. The procedures for the test process using the front adaptor for the torque wrench are exactly the same. The direction of rotation is clearly marked on the torque tester housing.

3.1 Terms Used

- Taring:** Null balancing; the torque is set to “0”.
- First Peak:** Break point detection (the torque wrench's release torque is displayed).
- Calibration:** Testing measurement accuracy.
- Torque Wrench:** Releasing torque wrench according to DIN EN ISO 6789 Type II.

3.2 Mounting the Torque Tester

⚠WARNING

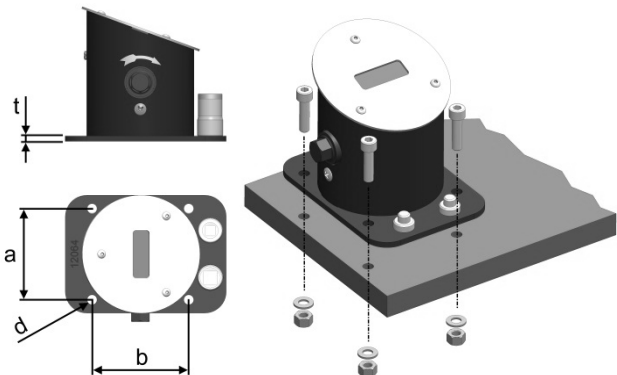
NEVER use the torque tester if it is not fastened on a solid surface using adequate fasteners (see below).

ALWAYS make sure using the torque tester will not cause the mounting surface to tip over.

NEVER use the torque tester in the open or in damp spaces.

For fastening on a suitable surface, Gedore recommends hexagon or cylinder head screws (4 piece) size M8 with minimum strength class 8.8 (M10 with minimum strength class 8.8 for 8612-3150), with suitable washers and nuts.

ALWAYS position the unit as not to create any pinch points between the torque tester, the torque wrench, and the mounting surface.



Model No.	a		b	
	[inch]	[mm]	[inch]	[mm]
8612-012	3.35	85	3.55	90
8612-050	3.35	85	3.55	90
8612-300	3.35	85	3.55	90
8612-1000	4.52	115	6.89	175
8612-3150	4.52	115	11.02	280

Model No.	d		t	
	[inch]	[mm]	[inch]	[mm]
8612-012	0.35	9	0.20	5
8612-050	0.35	9	0.20	5
8612-300	0.35	9	0.20	5
8612-1000	0.35	9	0.40	10
8612-3150	0.43	11	1.18	30

3.3 Activating / Deactivating

⚠WARNING

ALWAYS remove all accessory parts, torque wrenches, and other parts from the adaptor prior to activating the torque tester. Non-compliance can result in faulty screw connections and potentially in **SERIOUS INJURY** or **DEATH**.

⚠WARNING

RISK OF ELECTROCUTION

NEVER use the torque tester in areas with high electromagnetic or ionizing radiation.

NEVER use the torque tester in the open or in damp spaces.

NEVER touch the power unit or plug and socket connections with wet hands.

ALWAYS use the torque tester with the power unit provided.

ONLY connect the power unit to the power network if the power unit voltage and power unit frequency specified agree with the supply voltage and supply frequency of the power network.

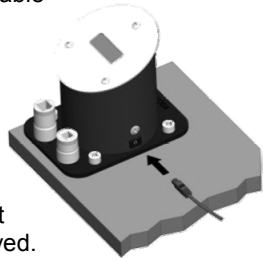
ONLY connect undamaged power units and supply lines to the torque tester.

NEVER cover power units that are connected.

3.3.1 Activating

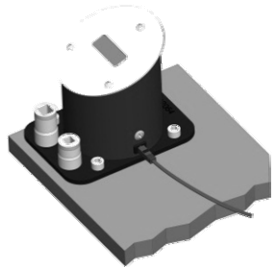
Attach the power unit connection cable to the torque tester. Then plug the power unit into the socket.

The torque tester activates automatically at this stage. Automatic taring follows. The unit is ready for use when the value "0 0 0 0" (with decimal point depending on the model) is displayed.



3.3.2 Deactivating

To deactivate the torque tester, first unplug the power unit from the socket. Then remove the power plug connection cable from the torque tester.



3.4 Taring the Torque Tester

Once the torque tester is activated, "0 0 0 0" appears in the display. If the torque tester displays a different value in the unloaded state, the torque tester has to be tared again. For this purpose, pull the power plug and wait at least 5 seconds before plug in again. The torque tester will begin the automatic taring process again.

3.5 Switching the Units of Measurement

NOTICE

The torque tester can be switched between "N·m" and "lbf·ft" units ("lbf·in" for 8612-012).

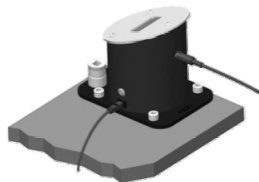
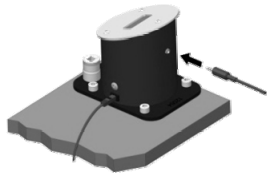
Once the torque tester has been activated, the current units are indicated by a bar in the display next to the imprinted unit.

You can change the units by applying a minimum counterclockwise torque (see the table below) for at least 2 seconds. Then the bar in the display will move to the position of the alternative units imprinted on the cover plate.

Minimum Counterclockwise Torque		
Model No.	[lbf·ft]	[N·m]
8612-012	> 13.3	> 1.5
8612-050	> 3.7	> 5
8612-300	> 11.1	> 15
8612-1000	> 18.5	> 25
8612-3150	> 110.6	> 150

3.6 RS232 Interface and Connection to a Computer

You can connect the torque tester to a RS232 interface on a computer. With this, test values can be transferred to the computer. Use the connecting cable (9-pin Sub-D socket / 3.5 mm 3-pin jack) provided for the connection. Use a terminal program suited for your operating system and your hardware for communicating with the torque tester. The interface in the torque tester is always active and cannot be deactivated.



For connection settings, see Section 8 (Technical Data).

Output in standard ASCII format. Sample output:

```

***                GEDORE                ***
DREMOTEST-E 8612-050 SNR. 99999
SCHLUESSEL-/Wrench-No. : _____
No.                MESSWERT/Value
001 ----- 02.68 N.m
002 ----- 01.02 N.m
003 ----- 01.44 N.m

```

The header phase and the tally of the reading starts again when the power supply is plugged in.

3.7 Testing a Torque Wrench with the Torque Tester

⚠WARNING

OVERLOAD HAZARD

The torque tester can be overloaded during use and break causing **SERIOUS INJURY** or **DEATH**.

ALWAYS use only original accessory parts. Accessory parts not approved by the Gedore may not bear the loads or cause the torque tester to overload.

ALWAYS inspect the torque tester for damage **BEFORE** use.

NEVER use a damaged torque tester.

NEVER use the torque tester if it has been dropped, if it has been used to strike other objects, or if anything has fallen on it.

⚠WARNING

INACCURATE TORQUE SETTINGS

An out-of-calibration torque tester can result in the failure of the screw connections, the torque wrench, or the accessories. This could cause **SERIOUS INJURY** or **DEATH**.

An out-of-calibration torque tester may cause the torque wrench settings to be over- or under- torque, resulting in **SERIOUS INJURY** or **DEATH**.

Always use tested and calibrated torque testers **ONLY** (see Section 4.1 Testing and Calibrating).

⚠WARNING

ALWAYS verify that the torque tester is properly fastened prior to using the torque tester.

Make sure that you are ALWAYS using the unit according to specification.

NEVER use the torque tester beyond the permissible torque range. The torque range is imprinted beneath the display.

ALWAYS put the torque wrench on the adaptor at a 90° angle.

NEVER use extensions.

ALWAYS use original accessory parts approved by the manufacturer.

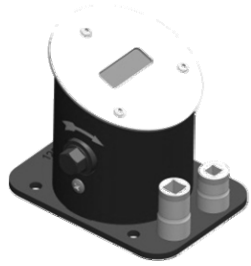
If the resistance changes unexpectedly in the course of testing, IMMEDIATELY disengage the torque tester or the torque wrench and check the torque tester and the torque wrench for damage.

ALWAYS apply the torque tester in the direction of rotation specified. Follow the direction of rotation arrow.

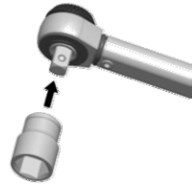
The torque tester displays the torque applied until a drop in the torque occurs (e.g. due to the release of the torque wrench or the disconnection of the power flow).

The maximum torque attained, prior to the drop, is reproduced for a brief moment in the display. Then the torque that is currently being applied is displayed again.

The torque tester has been designed to test clockwise releasing torque wrenches. The direction of rotation is clearly marked on the housing.

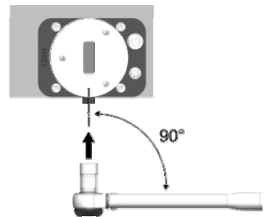


Put the appropriate wrench socket on the torque wrench adaptor. Make sure that the catching elements latch when putting the wrench socket on the torque wrench adaptor. Check for a secure connection by vigorously pulling on the wrench socket.

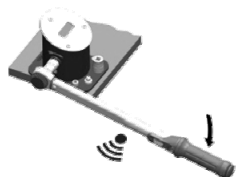
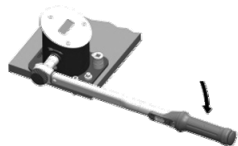


Check whether the display is showing "0 0 0 0 ." If a discrepancy is indicated in the display, please proceed as described in Section 3.4 (Taring the Torque Tester).

Put the torque wrench including the wrench socket on the torque tester adaptor at a 90° angle. Slip the hexagon socket onto the hexagon adaptor as far as possible.

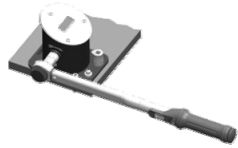


Turn the torque wrench by the handle slowly and steadily in the direction of the arrow (follow the direction of rotation arrow) until a click sound can be heard and a slight jerk felt.





ALWAYS disengage the torque tester IMMEDIATELY upon releasing the torque wrench. The maximum torque value is shown in the display.



3.8 Electronic overload notification

⚠WARNING

INACCURATE TORQUE SETTINGS

An out-of-calibration torque tester can result in the failure of the screw connections, the torque wrench, or the accessories. This could cause **SERIOUS INJURY** or **DEATH**. (Section 4.1)

For model 8612-012

The electronic torque tester emits a constant beeping sound if too high a torque ($> 13 \text{ Nm}$) is applied.

Immediately release the torque electronic tester. Horizontal lines appear at the upper and lower edge of the display. Disconnect the electronic torque tester to turn off the beeping sound.

NOTICE

To make sure, that the torsion shaft has not been damaged as a result of an excessive overload having occurred, you should have the tester checked (calibrated). For this purpose, please contact our service: www.gedore.com

4. Maintenance

4.1 Testing and Calibrating

⚠WARNING

INACCURATE TORQUE SETTINGS

An out-of-calibration torque tester can result in the failure of the screw connections, the torque wrench, or the accessories. This could cause **SERIOUS INJURY** or **DEATH**.

An out-of-calibration torque tester may cause the torque wrench settings to be over- or under- torque, resulting in **SERIOUS INJURY** or **DEATH**.

Always use tested and calibrated torque testers **ONLY** (see Section 4.1 Testing and Calibrating).

Powerful forces are at work when using the torque tester. When torque testers are not tested or not serviced there is a risk that they will not bear the loads or will indicate faulty tightening torques. **ALWAYS** take the following safety information into account in order to prevent **SERIOUS INJURY** or **DEATH**:

- **NEVER** use a faulty torque tester.
- **ALWAYS** have the torque tester calibrated on a regular basis.

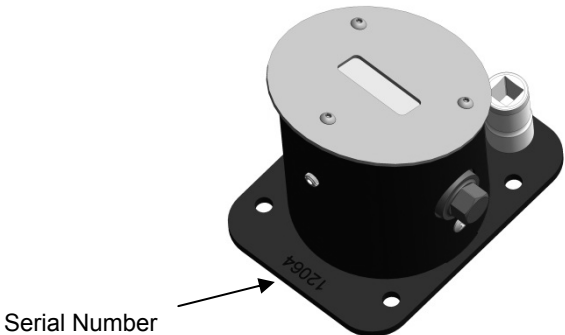
Gedore recommends once every 12 months as the minimally required calibration interval. Sensitive torque wrenches, a firm's own specifications, or quality requirements can also result in considerably shorter calibration intervals for the torque tester.

NOTICE

NEVER neglect recalibrating the torque tester. Improper calibration can cause the torque tester to be damaged.

Calibration should **ONLY** be implemented by authorized specialists, an accredited DKD calibration laboratory, or the manufacturer.

Every new torque tester comes with a calibration certificate. The torque tester and the calibration certificate are labeled with the identical serial number.



4.2 Care and Storage

NOTICE

The torque tester can be damaged due to improper handling. ALWAYS take the following precautions to prevent damage:

NEVER use cleansing agents to clean the torque tester. They can cause the mechanics or the electronics to be damaged.

Clean all parts after every use ONLY with a clean and dry cleaning cloth.

NEVER immerse the torque tester in water.

After use place the torque tester back in the packing material to protect against corrosion.

Store the torque tester in the packing material in a clean and dry location.

5. Accessories and Parts

The manufacturer provides a variety of components in the accessory parts program, which open up other areas of application and make work even more effective and more efficient.

6. Environmentally Friendly Disposal

Dispose of the torque tester, accessory parts, and packaging material in accordance with applicable provisions of law.

7. Manufacturer

GEDORE TorqueTech GmbH
Rathausstraße 22
42659 Solingen · GERMANY

Tel.: 0049 (0)1804 373668
Fax: 0049 212 888 100

Internet: www.gedore.com

8. Technical Data

The following data are for orientation purposes. Due to the ongoing further development of the product, deviations can result.

Model No.	[lbf·in]	[lbf·ft]	[N·m]	Socket	Adaptor
8612-012	1.8 - 106	-	0.2 – 12.0	SW 1/4"	1/4" and 3/8"
8612-050	-	0.7 - 40.6	0.9 – 55.0	SW 10	1/4" and 3/8"
8612-300	-	7 - 236	9.0 – 320.0	SW 17	3/8" and 1/2"
8612-1000	-	66 - 811	90 – 1,100	SW 36	1/2" and 3/4"
8612-3150	-	369 - 2323	500 – 3,150	□ 1½"	1"

Model No.	Dimensions		Weight	
	[inch]	[mm]	[lb]	[kg]
8612-012	5.91 x 4.92 x 4.96	150 x 125 x 126	≈ 6.6	3
8612-050	5.91 x 4.49 x 4.96	150 x 114 x 126		
8612-300	5.91 x 4.65 x 4.96	150 x 118 x 126		
8612-1000	10.24 x 7.11 x 6.91	260 x 180.5 x 175.6	≈ 22	10
8612-3150	12.60 x 7.99 x 7.76	320 x 203 x 197	≈ 57.3	26

Taring (Null Balancing)	Automatically (if power supply is ensured)
Sensor	Torsional wave with strain gauge full-bridge circuit
Measurement Accuracy	maximum ± 1% / ± 1 digit from the particular measured value
Torque Display	LC display
Power Supply	12 V DC (direct current)
Temperature Range	+ 18° to + 28°C ambient temperature
Connection Setting	RS232, 9600 baud, no parity, 8 data bits, 1 stop bit, no flow control

Tabla de contenido

1.	Información importante de seguridad	24
1.1	Advertencias de seguridad y de daños materiales	24
	RIESGO DE SOBRECARGA	25
	PELIGRO DE APRIETE DEFECTUOSO	25
	RIESGO DE EXPLOSIÓN E INCENDIO	26
	CONDICIONES AMBIENTALES PERMITIDAS	26
	RIESGO DE ELECTROCUCIÓN	26
1.2	Equipo de protección personal	27
1.3	Uso previsto	27
1.4	Manejo	28
1.5	Ambiente de trabajo	28
2.	Descripción del producto	29
2.1	Equipo entregado	30
3.	Uso del probador de torque	30
3.1	Términos usados	31
3.2	Montaje del probador de torque	31
3.3	Activación y desactivación	32
3.3.1	Activación	33
3.3.2	Desactivación	33
3.4	Tara del probador de torque	33
3.5	Cambio de las unidades de medición	34
3.6	Interfaz RS232 y conexión a una computadora	34
3.7	Prueba de un torquímetro con el probador de torque	35
3.8	Notificación electrónica de sobrecarga	38
4.	Mantenimiento	38
4.1	Prueba de la calibración	38
4.2	Cuidado y almacenamiento	40
5.	Accesorios y partes	41
6.	Desecho sin dañar el medio ambiente	41
7.	Fabricante	41
8.	Información técnica	42

1. Información importante de seguridad



Lea y entienda estas instrucciones de operación antes de usar el probador de torque. El uso incorrecto puede causar LESIONES SERIAS o MUERTE.

Estas instrucciones de operación son parte del probador de torque. Se deben guardar en un lugar seguro para usarse posteriormente y deben entregarse junto con el probador de torque cuando se venda, se preste o se transfiera en otra forma.



Solamente el PERSONAL ENTRENADO que haya aprendido a usar y manejar en forma segura el probador de torque puede usarlo. La operación sin capacitación puede causar LESIONES SERIAS o MUERTE.

Los empleadores que compren el probador de torque DEBEN asegurarse de que los trabajadores que lo usen hayan leído y comprendido estas instrucciones de operación antes de usarlo. Las instrucciones de operación DEBEN estar disponibles para el usuario en todo momento.

1.1 Advertencias de seguridad y de daños materiales

En todo este manual se usan las palabras ADVERTENCIA, PRECAUCIÓN, AVISO y el SÍMBOLO DE ALERTA DE SEGURIDAD.

⚠ ADVERTENCIA

Indica una situación peligrosa que, si no se previene, puede causar muerte o lesiones serias.

⚠ PRECAUCIÓN

Indica una situación peligrosa que, si no se previene, puede causar lesiones menores o moderadas.

AVISO

Indica una situación peligrosa que, si no se previene, puede resultar en daños materiales o al torquímetro.



Este es el símbolo de alerta de seguridad. Se usa para alertar acerca de peligros potenciales de lesiones. Respete los avisos de seguridad que siguen a este símbolo para evitar posibles lesiones o muerte. Observe que este símbolo está incorporado en los indicadores de advertencia y precaución anteriores.

⚠ ADVERTENCIA

RIESGO DE SOBRECARGA

El probador de torque puede sobrecargarse y romperse durante el uso y causar **LESIONES GRAVES** o **MUERTE**.

Use siempre **SOLAMENTE** accesorios originales. Cuando usa accesorios no aprobados por el fabricante, también existe el riesgo de que éstos no soporten las cargas.

Inspeccione **SIEMPRE** el probador de torque por posible daño **ANTES** de usarlo.

NUNCA use el probador de torque si está dañado.

NUNCA use el probador de torque si se ha dejado caer, si se ha usado para golpear objetos o si algo ha caído sobre él.

⚠ ADVERTENCIA

PELIGRO DE APRIETE DEFECTUOSO

Si el probador de torque no está calibrado correctamente, puede causar falla de las conexiones con tornillos, del torquímetro o de otros accesorios. Esto podría causar **LESIONES GRAVES** o **MUERTE**.

Si el probador de torque no está calibrado correctamente, puede causar que los ajustes del torquímetro estén por encima o por debajo de sus valores, lo cual podría resultar **LESIONES GRAVES** o **MUERTE**.

Use **SIEMPRE** probadores de torque probados y calibrados **SOLAMENTE** (consulte la sección 4.1 Pruebas y calibración).

⚠ ADVERTENCIA**RIESGO DE EXPLOSIÓN E INCENDIO**

Cuando se usa el probador de torque, se pueden producir chispas, las cuales pueden causar explosión o incendio y podrían causar LESIONES GRAVES o MUERTE.

NUNCA use el probador de torque en lugares donde las chispas pueden causar explosiones o incendios.

⚠ ADVERTENCIA**CONDICIONES AMBIENTALES PERMITIDAS**

Cuando el probador de torque se expone a temperaturas menores de 18 °C (64 °F) y mayores de 28°C (82 °F), o a altas concentraciones de humedad (mayor del 90%), puede causar ajustes imprecisos de torque.

Verifique SIEMPRE el probador de torque con un equipo de medición de torque autorizado antes de usarlo en condiciones climáticas extremas.

⚠ ADVERTENCIA**RIESGO DE ELECTROCUCIÓN**

NUNCA use el probador de torque en áreas con alta radiación electromagnética o ionizante.

NUNCA use el probador de torque al aire libre o en espacios húmedos.

NUNCA toque la unidad de corriente o enchufe y conexiones de receptáculos con las manos mojadas.

Use SIEMPRE el probador de torque con la unidad de corriente incluida.

Conecte la unidad de corriente SOLAMENTE en la red eléctrica si el voltaje y la frecuencia especificados de la unidad de corriente coinciden con el voltaje y la frecuencia de alimentación de la red eléctrica.

Conecte SOLAMENTE unidades de corriente y líneas de alimentación que no estén dañadas al probador de torque.

NUNCA cubra las unidades de corriente que estén conectadas.

1.2 Equipo de protección personal



Use SIEMPRE el siguiente equipo de protección personal cuando use el probador de torque. El torquímetro puede resbalarse o romperse y causar **LESIONES GRAVES** o **MUERTE**.



Cuando use el probador de torque, debe usar **PROTECCIÓN OCULAR** (consulte ANSI/ISEA Z87.1) diseñada para proteger contra objetos proyectados.

- Los objetos proyectados pueden causar **LESIONES GRAVES** a sus ojos.



Cuando use el probador de torque, debe usar **GUANTES DE SEGURIDAD**.

- El torquímetro puede resbalarse o romperse y causar **LESIONES GRAVES** en los dedos y manos.



Cuando use el probador de torque, debe usar **CALZADO DE SEGURIDAD** con suelas antiderrapantes (consulte ASTM F2413-05) y casquillo de acero para los dedos.

- Las piezas que caen pueden causar **LESIONES GRAVES** en los pies y los dedos de los pies.

1.3 Uso previsto

El probador de torque está diseñado para probar torquímetros de liberación en sentido de las manecillas del reloj.

- **NO USE** el probador de torque para ningún otro propósito.
- Cualquier otro uso podría causar **LESIONES SERIAS** o **MUERTE**.
- **NO permita** a los niños usar el probador de torque.

1.4 Manejo

⚠ ADVERTENCIA

El uso inseguro y el manejo incorrecto pueden causar LESIONES GRAVES o MUERTE. Tome las siguientes medidas de seguridad para prevenir lesiones y daños materiales:

- Revise SIEMPRE el probador de torque, especialmente el adaptador y el cuerpo, así como los accesorios, por posible daño antes de usarlo.
- NUNCA use el probador de torque si está dañado.
- NUNCA use ningún probador de torque o accesorios que hayan sido modificados.
- NUNCA modifique el probador de torque o accesorios.
- Aplique SIEMPRE el probador de torque en la dirección de rotación especificada. Siga la dirección de la flecha de rotación.
- Use SIEMPRE accesorios o partes estándar aprobadas por el fabricante.
- Transporte SIEMPRE el probador de torque en el material de empaquetado a prueba de impactos.

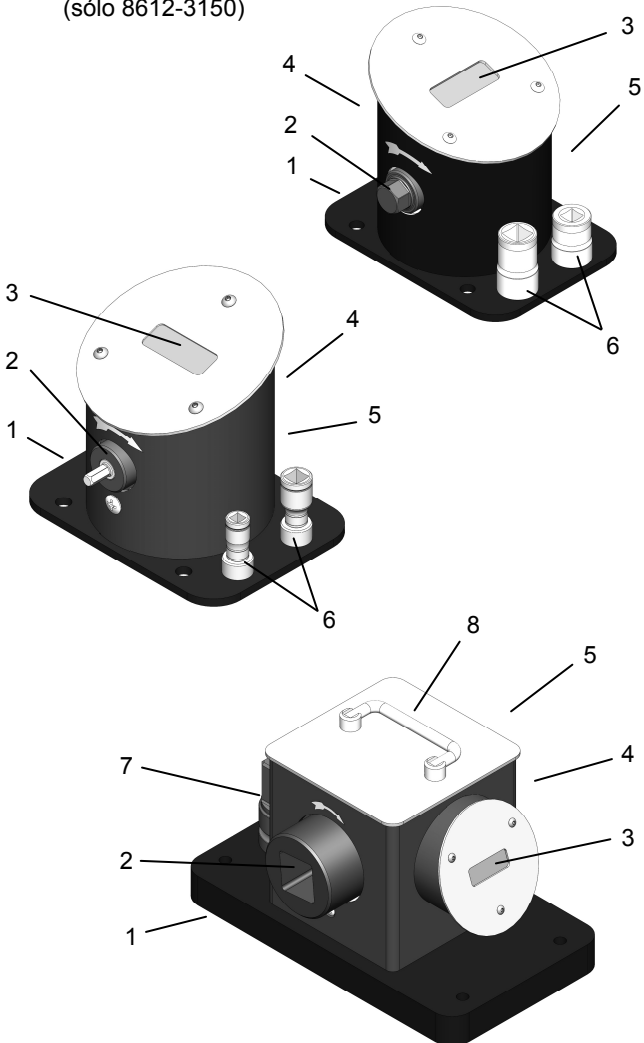
1.5 Ambiente de trabajo

Use SIEMPRE el probador de torque en un ambiente de trabajo seguro.

- Mantenga el área de trabajo limpia y ordenada.
- Use el probador de torque en un área grande y asegurada.
- El área de trabajo debe estar libre de altas concentraciones de polvo.
- NUNCA use el probador de torque al aire libre o en espacios húmedos.
- NUNCA use el probador de torque en áreas con alta radiación electromagnética o ionizante.

2. Descripción del producto

1. Placa de apoyo
2. Acoplador
3. Pantalla
4. Conexión de enchufe y receptáculo y alimentación de corriente
5. Interfaz RS232
6. Dado para llave
7. Pieza de extensión
8. Manija para cargarse (sólo 8612-3150)



2.1 Equipo entregado

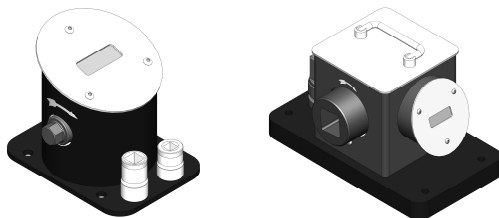
- Probador de torque eléctrico
- Unidad de corriente
- 100 – 240 V; 50 – 60 Hz; máximo 500 mA
- **Nota:** Consulte la placa de especificaciones.
- Dados para llave (1 pieza de extensión para 8612-3150) (Ancho entre caras planas y acoplador de acuerdo con el tamaño de diseño)
- Instructivo de operación
- Certificado de calibración
- Empaquetado de envío
- Cable RS232

3. Uso del probador de torque

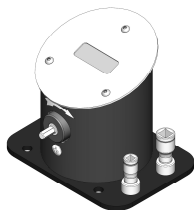


Lea SIEMPRE la sección 1 (Información importante de seguridad) ANTES de usar el probador de torque.

Estas instrucciones describen el uso de los siguientes tipos de productos:



- Probador de torque con adaptador hexagonal externo o cuadrado interno en un lado



- Probador de torque con adaptador hexagonal externo en la parte frontal

El proceso de prueba se representa esquemáticamente con un probador de torque con adaptador lateral (hexagonal externo) para el torquímetro. Los procedimientos para el proceso de prueba que usa el adaptador frontal para el torquímetro son exactamente iguales. La dirección de rotación se marca claramente en el cuerpo del probador de torque.

3.1 Términos usados

Tara: Balanceo nulo; el torque se ajusta en "0"

First Peak: Detección de punto de desconexión (se muestra el torque de liberación del torquímetro).

Calibración: Precisión de la medición de la prueba.

Torquímetro: Torquímetro de liberación de acuerdo con DIN EN ISO 6789 Tipo II.

3.2 Montaje del probador de torque

⚠ ADVERTENCIA

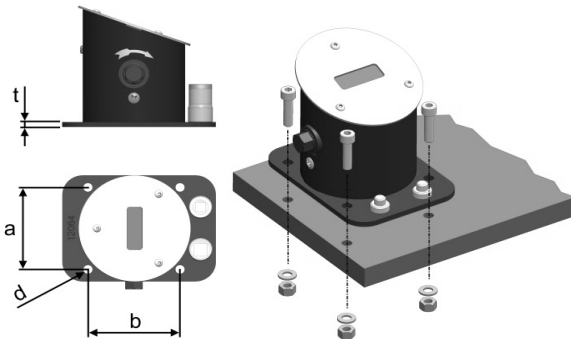
NUNCA use el probador de torque si no está asegurado sobre una superficie sólida con sujetadores adecuados (vea a continuación).

Asegúrese SIEMPRE de que el probador de torque no haga que la superficie de montaje se voltee al contrario.

NUNCA use el probador de torque al aire libre o en espacios húmedos.

Para asegurarlo sobre una superficie adecuada, Gedore recomienda usar tornillos de cabeza hexagonal o cilíndrica (4 piezas) de tamaño M8 con clase de resistencia mínima 8.8 (M10 con clase de resistencia mínima 8.8 para 8612-3150), con roldanas y tuercas adecuadas.

Coloque SIEMPRE la unidad de tal manera que no cree ningún punto de pellizcamiento entre el probador de torque, el torquímetro y la superficie de montaje.



Modelo N.º	a		b	
	[pulg.]	[mm]	[pulg.]	[mm]
8612-012	3.35	85	3.55	90
8612-050	3.35	85	3.55	90
8612-300	3.35	85	3.55	90
8612-1000	4.52	115	6.89	175
8612-3150	4.52	115	11.02	280

Modelo N.º	d		t	
	[pulg.]	[mm]	[pulg.]	[mm]
8612-012	0.35	9	0.20	5
8612-050	0.35	9	0.20	5
8612-300	0.35	9	0.20	5
8612-1000	0.35	9	0.40	10
8612-3150	0.43	11	1.18	30

3.3 Activación y desactivación

⚠ ADVERTENCIA

Retire SIEMPRE todos los accesorios, torquímetros y otras piezas del adaptador antes de activar el probador de torque. La falta de cumplimiento de esto puede causar conexiones de tornillos defectuosas y potencialmente LESIONES GRAVES o MUERTE.

⚠ ADVERTENCIA

RIESGO DE ELECTROCUCIÓN

NUNCA use el probador de torque en áreas con alta radiación electromagnética o ionizante.

NUNCA use el probador de torque al aire libre o en espacios húmedos.

NUNCA toque la unidad de corriente o enchufe y conexiones de receptáculos con las manos mojadas.

Use SIEMPRE el probador de torque con la unidad de corriente incluida.

Conecte la unidad de corriente SOLAMENTE en la red eléctrica si el voltaje y la frecuencia especificados de la unidad de corriente coinciden con el voltaje y la frecuencia de alimentación de la red eléctrica.

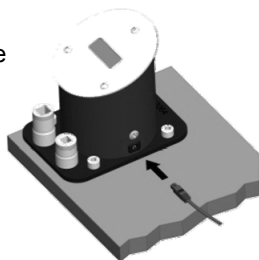
Conecte SOLAMENTE unidades de corriente y líneas de alimentación que no estén dañadas al probador de torque.

NUNCA cubra las unidades de corriente que estén conectadas.

3.3.1 Activación

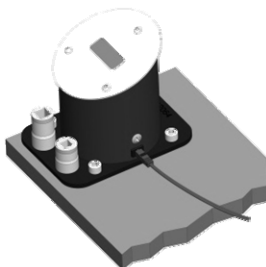
Enchufe el cable de conexión de la unidad de corriente en el probador de torque. Luego conecte la unidad de corriente en el receptáculo.

El probador de torque se activa automáticamente en este punto. Continúa la tara automática. La unidad está lista para usarse cuando aparece el valor “ 0 0 0 0 ” (con punto decimal, dependiendo del modelo).



3.3.2 Desactivación

Para desactivar el probador de torque, primero desenchufe la unidad de corriente del receptáculo. Luego retire el cable de conexión de enchufe de corriente del probador de torque.



3.4 Tara del probador de torque

Una vez que el probador de torque está activado, aparece “ 0 0 0 0 ” en la pantalla. Si el probador de torque muestra un valor diferente en el estado cargado, debe volver a tararse. Para este propósito, retire el enchufe de corriente y espere por lo menos 5 segundos para volver a enchufarlo. El probador de torque volverá a iniciar el proceso de tara.

3.5 Cambio de las unidades de medición

AVISO

El probador de torque puede cambiarse entre las unidades "N·m" y "lbf·ft" ("lbf·in" en el 8612-012).

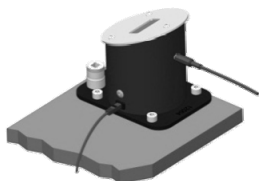
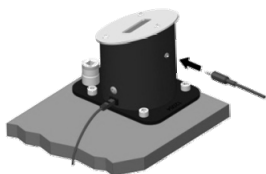
Una vez que el probador de torque está activado, las unidades actuales se indican mediante una barra en la pantalla junto a la unidad impresa.

Puede cambiar las unidades al aplicar un torque mínimo en sentido contrario de las manecillas del reloj (vea la tabla siguiente) durante por lo menos 2 segundos. Entonces la barra en la pantalla se moverá a la posición de las unidades alternativas impresas en la placa de protección.

Torque mínimo en sentido contrario de las manecillas del reloj		
Modelo N.º	[lbf·ft]	[N·m]
8612-012	> 13.3	> 1.5
8612-050	> 3.7	> 5
8612-300	> 11.1	> 15
8612-1000	> 18.5	> 25
8612-3150	> 110.6	> 150

3.6 Interfaz RS232 y conexión a una computadora

Puede conectar el probador de torque al puerto RS232 de una computadora. Con esto, los valores de prueba pueden transferirse a la computadora. Use el cable de conexión (9 terminales, receptáculo Sub-D / enchufe de 3 terminales de 3.5) proporcionado para la conexión. Use un programa de terminal adecuado para su sistema operativo y su hardware para comunicarse con el probador de torque. La interfaz en el probador de torque siempre está activa y no puede desactivarse.



Para ver las configuraciones de conexión, consulte la sección 8 (Información técnica).

Salida en formato ASCII estándar. Salida de ejemplo:

```

***                GEDORE                ***
DREMOTEST-E 8612-050 SNR. 99999
SCHLUESSEL-/Wrench-No. : _____
No.                MESSWERT/Value
001 ----- 02.68 N.m
002 ----- 01.02 N.m
003 ----- 01.44 N.m
    
```

La fase de encabezado y el conteo de la lectura inician nuevamente cuando se conecta la alimentación de corriente.

3.7 Prueba de un torquímetro con el probador de torque

⚠ ADVERTENCIA

RIESGO DE SOBRECARGA

El probador de torque puede sobrecargarse y romperse durante el uso y causar LESIONES GRAVES o MUERTE.

Use SIEMPRE solamente accesorios originales. Es probable que los accesorios no aprobados por Gedore no soporten las cargas o que causen que el probador de torque se sobrecargue.

Inspeccione SIEMPRE el probador de torque por posible daño ANTES de usarlo.

NUNCA use el probador de torque si está dañado.

NUNCA use el probador de torque si se ha dejado caer, si se ha usado para golpear objetos o si algo ha caído sobre él.

⚠ ADVERTENCIA

AJUSTES IMPRECISOS DE TORQUE

Si el probador de torque no está calibrado correctamente, puede causar falla de las conexiones con tornillos, del torquímetro o de otros accesorios. Esto podría causar LESIONES GRAVES o MUERTE.

Si el probador de torque no está calibrado correctamente, puede causar que los ajustes del torquímetro estén por encima o por debajo de sus valores, lo cual podría resultar LESIONES GRAVES o MUERTE.

Use siempre probadores de torque probados y calibrados SOLAMENTE (consulte la sección 4.1 Pruebas y calibración).

⚠ ADVERTENCIA

Verifique SIEMPRE que el probador de torque esté asegurado correctamente antes de usarlo.

Asegúrese de usar SIEMPRE la unidad de acuerdo con las especificaciones.

NUNCA use el probador de torque por más allá del rango de torque permitido. El rango de torque está impreso debajo de la pantalla.

Coloque SIEMPRE el probador de torque sobre el adaptador a un ángulo de 90°.

NUNCA use extensiones.

Use SIEMPRE accesorios originales aprobados por el fabricante.

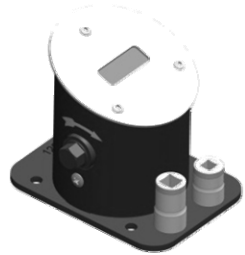
Si la resistencia cambia inesperadamente durante la prueba, desconecte INMEDIATAMENTE el probador de torque o el torquímetro y revise si el probador de torque o el torquímetro está dañado.

Aplique SIEMPRE el probador de torque en la dirección de rotación especificada. Siga la dirección de la flecha de rotación.

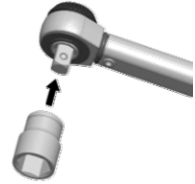
El probador de torque muestra el torque aplicado hasta que ocurre reducción del torque (por ejemplo, debido a la liberación del torquímetro o a la desconexión del flujo de energía). El máximo torque alcanzado, antes de la reducción, se reproduce momentáneamente en la pantalla.

Entonces vuelve a mostrarse el torque que se está aplicando actualmente.

El probador de torque está diseñado para probar torquímetros de liberación en sentido de las manecillas del reloj. La dirección de rotación se marca claramente en el cuerpo.

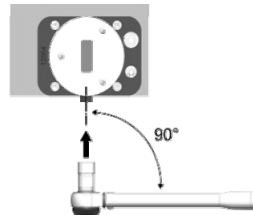


Coloque el dado de llave apropiado en el adaptador del torquímetro. Asegúrese de que los elementos de inserción de traben cuando coloque el dado de llave en el adaptador del torquímetro. Verifique que la conexión sea segura tirando fuertemente del dado de llave.

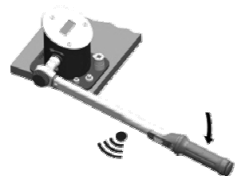
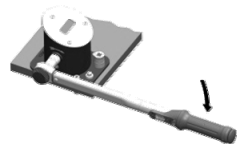


Verifique que la pantalla muestre "0 0 0 0." Si se muestra alguna diferencia, proceda como se describe en la sección 3.4 (Tara del probador de torque).

Coloque el torquímetro, incluyendo el dado para llave, en el adaptador del probador de torque a un ángulo de 90°. Deslice el dado hexagonal hacia el adaptador hexagonal toda la distancia posible.

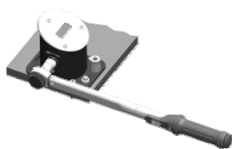


Gire el torquímetro por el mango en forma lenta y continua en la dirección de la flecha (siga la dirección de la flecha de rotación) hasta que escuche el clic y sienta un ligero tirón.





Desconecte SIEMPRE el probador de torque INMEDIATAMENTE al liberar el torquímetro. El valor del torque máximo se muestra en la pantalla.



3.8 Notificación electrónica de sobrecarga

⚠ ADVERTENCIA

PELIGRO DE APRIETE DEFECTUOSO

Si el probador de torque no está calibrado correctamente, puede causar falla de las conexiones con tornillos, del torquímetro o de otros accesorios. Esto podría causar LESIONES GRAVES o MUERTE. (Sección 4.1)

Para el modelo 8612-012

Si se transmiten pares demasiado elevados (>13 Nm), el probador de torque electrónico emite una señal acústica permanente.

Descargue inmediatamente el probador de torque electrónico. En los bordes superior e inferior de la pantalla aparecen rayas horizontales.

Desconecte el probador de torque de la corriente eléctrica para apagar la señal acústica.

AVISO

Para asegurarse de que no se ha producido ningún daño en el árbol de torsión como consecuencia de la sobrecarga se deberá comprobar el probador de torque (calibrarlo). Diríjase para ello a nuestro servicio técnico: www.gedore.com

4. Mantenimiento

4.1 Prueba de la calibración

⚠ ADVERTENCIA

PELIGRO DE APRIETE DEFECTUOSO

Si el probador de torque no está calibrado correctamente, puede causar falla de las conexiones con tornillos, del torquímetro o de otros accesorios. Esto podría causar LESIONES GRAVES o MUERTE.

Si el probador de torque no está calibrado correctamente, puede causar que los ajustes del torquímetro estén por encima o por debajo de sus valores, lo cual podría resultar **LESIONES GRAVES o MUERTE.**

Use siempre probadores de torque probados y calibrados **SOLAMENTE.**

Cuando usa el probador de torque, se aplican fuerzas poderosas. Cuando los probadores de torque no se prueban o no se les da mantenimiento, existe el riesgo de que no soporten las cargas o de que indiquen valores de torque defectuosos. Tome en cuenta **SIEMPRE** la siguiente información de seguridad para prevenir **LESIONES GRAVES y MUERTE.**

- **NUNCA** use el probador de torque si está defectuoso.
- Solicite **SIEMPRE** que el probador de torque sea calibrado periódicamente.

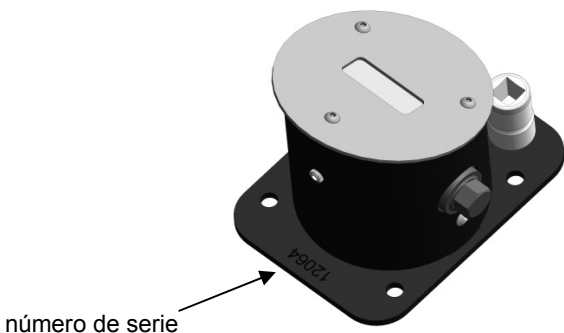
Gedore recomienda una vez cada 12 meses como periodo mínimo de calibración obligatoria. Los torquímetros sensibles, las especificaciones de la propia empresa o los requerimientos de calidad también pueden acortar considerablemente los periodos de calibración del probador de torque.

AVISO

NUNCA omita la recalibración del probador de torque. La calibración incorrecta puede causar daño al probador de torque.

La calibración debe realizarla **SOLAMENTE** un especialista autorizado, un laboratorio de calibración acreditado o el fabricante.

Cada probador de torque viene con un certificado de calibración. El probador de torque y el certificado de calibración llevan el mismo número de serie.



4.2 Cuidado y almacenamiento

AVISO

El probador de torque puede dañarse debido al manejo incorrecto. Tome SIEMPRE las siguientes precauciones para prevenir daños:

NUNCA use agentes de limpieza para limpiar el probador de torque. Estos pueden provocar que se dañen los mecanismos o las piezas electrónicas.

Limpie todas las partes después de cada uso SOLAMENTE con una tela limpia.

NUNCA sumerja el probador de torque en agua.

Después de usarlo, coloque el probador de torque en el material de empaquetado para protegerlo contra la corrosión.

Guarde el probador de torque en el material de empaquetado en un lugar limpio y seco.

5. Accesorios y partes

El fabricante proporciona una serie de componentes con su programa de accesorios, el cual abre otras áreas de aplicación y permite que el trabajo sea más efectivo y eficiente.

6. Desecho sin dañar el medio ambiente

Deseche el probador de torque, accesorios y material de empaquetado de conformidad con las disposiciones legales correspondientes.

7. Fabricante

GEDORE TorqueTech GmbH
Rathausstraße 22
42659 Solingen · GERMANY

Tel.: 0049 (0)1804 373668

Fax: 0049 212 888 100

Internet: www.gedore.com

8. Información técnica

La siguiente información técnica es con fines de orientación. Es posible que haya diferencias debido al desarrollo continuo del producto.

Modelo N.º	[lbf·in]	[lbf·ft]	[N·m]	Dado	Adaptador
8612-012	1.8 - 106	-	0.2 – 12.0	Ancho entre caras planas 1/4"	1/4" y 3/8"
8612-050	-	0.7 - 40.6	0.9 – 55.0	Ancho entre caras planas 10	1/4" y 3/8"
8612-300	-	7 - 236	9.0 – 320.0	Ancho entre caras planas 17	3/8" y 1/2"
8612-1000	-	66 - 811	90 – 1,100	Ancho entre caras planas 36	1/2" and 3/4"
8612-3150	-	369 - 2323	500 – 3,150	□ 1½"	1"

Modelo N.º	Dimensiones		Peso	
	[pulg.]	[mm]	[lb]	[kg]
8612-012	5.91 x 4.92 x 4.96	150 x 125 x 126	≈ 6.6	3
8612-050	5.91 x 4.49 x 4.96	150 x 114 x 126		
8612-300	5.91 x 4.65 x 4.96	150 x 118 x 126		
8612-1000	10.24 x 7.11 x 6.91	260 x 180.5 x 175.6	≈ 22	10
8612-3150	12.60 x 7.99 x 7.76	320 x 203 x 197	≈ 57.3	26

Tara (balanceo en cero)	Automáticamente (si se aplica corriente eléctrica)
Sensor	Onda torsional con circuito de puente completo de indicador de tensión
Precisión de la medición	máxima ± 1% / ± 1 dígito a partir del valor medido particular
Pantalla de torque	Pantalla LC
Alimentación de corriente	12 VCD (corriente directa)
Rango de temperatura	+ 18 a + 28 °C temperatura ambiente
Configuración de la conexión	RS232, 9600 baudios, sin paridad, 8 bits de datos, 1 bit de detención, sin control de flujo

Table des matières

1. Renseignements importants sur la sécurité	44
1.1 Mises en garde sur la sécurité et les dommages à la propriété	44
DANGER DE SURCHARGE	45
DANGER CAUSÉ PAR UN COUPLE DE SERRAGE INADÉQUAT	45
RISQUE D'EXPLOSION ET D'INCENDIE	46
CONDITIONS AMBIANTES ACCEPTABLES	46
RISQUE D'ÉLECTROCUTION	46
1.2 Équipement de protection individuelle	47
1.3 Usage approprié	47
1.4 Manipulation	48
1.5 Milieu de travail	48
2. Description du produit	49
2.1 Portée d'exécution	50
3. Utilisation du contrôleur de couple	50
3.1 Termes utilisés	51
3.2 Montage du contrôleur de couple	51
3.3 Activation et désactivation	52
3.3.1 Activation	53
3.3.2 Désactivation	53
3.4 Tarage du contrôleur de couple	54
3.5 Alternance des unités de mesure	54
3.6 Interface RS232 et connexion à un ordinateur	55
3.7 Test d'une clé dynamométrique avec le contrôleur de couple	55
3.8 Avis de surcharge électronique	58
4. Entretien	59
4.1 Test du calibrage	59
4.2 Soins et entreposage	60
5. Accessoires et pièces	61
6. Élimination sans danger pour l'environnement	61
7. Fabricant	61
8. Données techniques	62

1. Renseignements importants sur la sécurité



Veillez lire et comprendre le mode d'emploi avant d'utiliser le contrôleur de couple. Une utilisation inappropriée de l'outil peut causer des BLESSURES SÉRIEUSES ou la MORT.

Ce mode d'emploi fait partie du contrôleur de couple. Il doit être conservé en lieu sûr pour consultation ultérieure et doit être transmis à l'utilisateur qui achète, loue ou obtient le contrôleur de couple de quelque manière que ce soit.



Le contrôleur de couple doit être utilisé uniquement par des PERSONNES AYANT REÇU LA FORMATION APPROPRIÉE pour une utilisation sécuritaire de l'outil. Le fait d'utiliser l'outil sans avoir reçu la formation appropriée peut causer des BLESSURES SÉRIEUSES ou la MORT.

Les employeurs qui achètent ce contrôleur de couple DOIVENT s'assurer que les employés concernés lisent et comprennent le présent mode d'emploi avant d'utiliser l'outil. Le mode d'emploi DOIT être disponible pour consultation par l'utilisateur en tout temps.

1.1 Mises en garde sur la sécurité et les dommages à la propriété

Tout au long du présent manuel, les symboles d'AVERTISSEMENT, d'ATTENTION, d'AVIS et d'ALERTE DE SÉCURITÉ seront utilisés.

⚠ AVERTISSEMENT

Indique une situation dangereuse qui, si on ne peut la prévenir, pourrait entraîner des blessures graves ou la mort.

⚠ ATTENTION

Indique une situation dangereuse qui, si on ne peut la prévenir, peut causer une blessure mineure.

AVIS

Indique une situation dangereuse qui, si on ne peut la prévenir, peut causer des dommages à la propriété ou endommager la clé dynamométrique.



Voici le symbole d'alerte de sécurité. Il sert à vous avertir d'un danger potentiel de blessure personnelle. Respectez tous les messages de sécurité qui accompagnent ce symbole afin d'éviter les blessures possibles ou la mort. Remarquez que ce symbole est incorporé aux indicateurs d'avertissement et d'attention ci-dessus

⚠ AVERTISSEMENT

DANGER DE SURCHARGE

En cas de surcharge du contrôleur de couple, celui-ci peut se briser et causer de **SÉRIEUSES BLESSURES** ou **LA MORT**.

Utilisez toujours des accessoires et pièces d'origine **UNIQUEMENT**. Lorsque vous utilisez des accessoires et pièces non approuvés par le fabricant il y a également un risque que ceux-ci ne supportent pas la charge.

Inspectez **TOUJOURS** le contrôleur de couple pour la présence de dommages **AVANT** de l'utiliser. N'utilisez **JAMAIS** un contrôleur de couple endommagé.

N'utilisez **JAMAIS** un contrôleur de couple qui a été échappé, utilisé pour frapper d'autres objets ou sur lequel on a échappé quelque chose.

⚠ AVERTISSEMENT

DANGER CAUSÉ PAR UN COUPLE DE SERRAGE INADÉQUAT

Un contrôleur de couple mal calibré peut entraîner une défaillance des connexions à vis, de la clé dynamométrique ou des accessoires. Une telle situation peut causer des **BLESSURES SÉRIEUSES** ou la **MORT**.

Un contrôleur de couple mal calibré peut provoquer un réglage de couple excessif ou insuffisant sur la clé dynamométrique, et ainsi, entraîner des **BLESSURES SÉRIEUSES** ou la **MORT**.

Utilisez **TOUJOURS** un contrôleur de couple testé et calibré **UNIQUEMENT** (voir la section 4.1 – Test et calibrage).

⚠ AVERTISSEMENT**RISQUE D'EXPLOSION ET D'INCENDIE**

L'utilisation du contrôleur de couple peut provoquer des étincelles pouvant causer une explosion ou un incendie et entraîner des BLESSURES SÉRIEUSES ou LA MORT.

N'utilisez JAMAIS le contrôleur de couple dans un endroit où les étincelles peuvent provoquer une explosion ou un incendie.

⚠ AVERTISSEMENT**CONDITIONS AMBIANTES ACCEPTABLES**

Lorsque le contrôleur de couple est exposé à des températures inférieures à 18 °C (64 °F) et supérieures à 28 °C (82 °F), ou à un haut degré d'humidité (supérieur à 90 %), le réglage du couple pourrait être inexact.

Vérifiez TOUJOURS le contrôleur de couple au moyen d'un équipement de mesure de couple approuvé avant son utilisation dans des conditions climatiques extrêmes.

⚠ AVERTISSEMENT**RISQUE D'ÉLECTROCUTION**

N'utilisez JAMAIS le contrôleur de couple dans un endroit où un rayonnement ionisant ou électromagnétique élevé est présent.

N'utilisez JAMAIS le contrôleur de couple à ciel ouvert ou dans des endroits humides.

NE touchez JAMAIS à l'unité d'alimentation ou à la fiche d'alimentation et à la prise électrique avec les mains mouillées.

Utilisez TOUJOURS le contrôleur de couple avec l'unité d'alimentation fournie.

Branchez toujours l'unité d'alimentation UNIQUEMENT au réseau d'énergie si la tension et la fréquence de l'unité d'alimentation indiquées sont conformes à la tension et à la fréquence d'alimentation du réseau d'énergie.

Branchez toujours le contrôleur de couple à des unités et des câbles d'alimentation en bon état **UNIQUEMENT**.

NE recouvrez **JAMAIS** des unités d'alimentation qui sont branchées.

1.2 Équipement de protection individuelle



Portez **TOUJOURS** un équipement de protection individuelle lorsque vous utilisez le contrôleur de couple. La clé dynamométrique pourrait glisser ou se briser et causer des **BLESSURES GRAVES** ou la **MORT**.



Lorsque vous utilisez le contrôleur de couple, vous devez porter des **LUNETTES DE SÉCURITÉ** (voir la norme ANSI/ISEA Z87.1) conçues pour vous protéger contre des objets projetés.

- Les objets projetés peuvent causer des **BLESSURES SÉRIEUSES** aux yeux.



Vous devez porter des **GANTS DE SÉCURITÉ** lorsque vous utilisez le contrôleur de couple.

- La clé dynamométrique pourrait glisser ou se briser et causer des **BLESSURES GRAVES** aux doigts et aux mains.



Le port de **CHAUSSURES DE SÉCURITÉ** avec semelles antidérapantes et embouts en acier (voir la norme ASTM F2413-05) est obligatoire lorsque l'on utilise le contrôleur de couple.

- Des objets tombant sur vos pieds ou vos orteils pourraient causer des **BLESSURES GRAVES**.

1.3 Usage approprié

Le contrôleur de couple est conçu pour mesurer les clés dynamométriques à déclenchement dans le sens horaire.

- **N'UTILISEZ PAS** le contrôleur de couple pour quelque autre raison.
- Toute autre utilisation de l'outil peut causer des **BLESSURES SÉRIEUSES** ou la **MORT**.
- **NE PERMETTEZ PAS** aux enfants d'utiliser le contrôleur de couple.

1.4 Manipulation

⚠ AVERTISSEMENT

Une utilisation non sécuritaire et inadéquate de l'outil peut causer des BLESSURES SÉRIEUSES ou la MORT.

Prenez les précautions suivantes afin d'éviter les blessures et les dommages à la propriété :

- Vérifiez TOUJOURS le contrôleur de couple, particulièrement l'adaptateur et le boîtier, ainsi que les accessoires et les pièces pour la présence de dommages visibles avant de l'utiliser.
- N'utilisez JAMAIS un contrôleur de couple endommagé.
- N'utilisez JAMAIS un contrôleur de couple, d'accessoires et de pièces qui ont été modifiés.
- NE modifiez JAMAIS un contrôleur de couple, ses accessoires ou ses pièces.
- Utilisez TOUJOURS le contrôleur de couple dans le sens de rotation indiqué. Suivez le sens de rotation indiqué par la flèche.
- Utilisez TOUJOURS des accessoires ou des pièces standard approuvées par le fabricant.
- Transportez TOUJOURS le contrôleur de couple dans un emballage à l'épreuve des chocs.

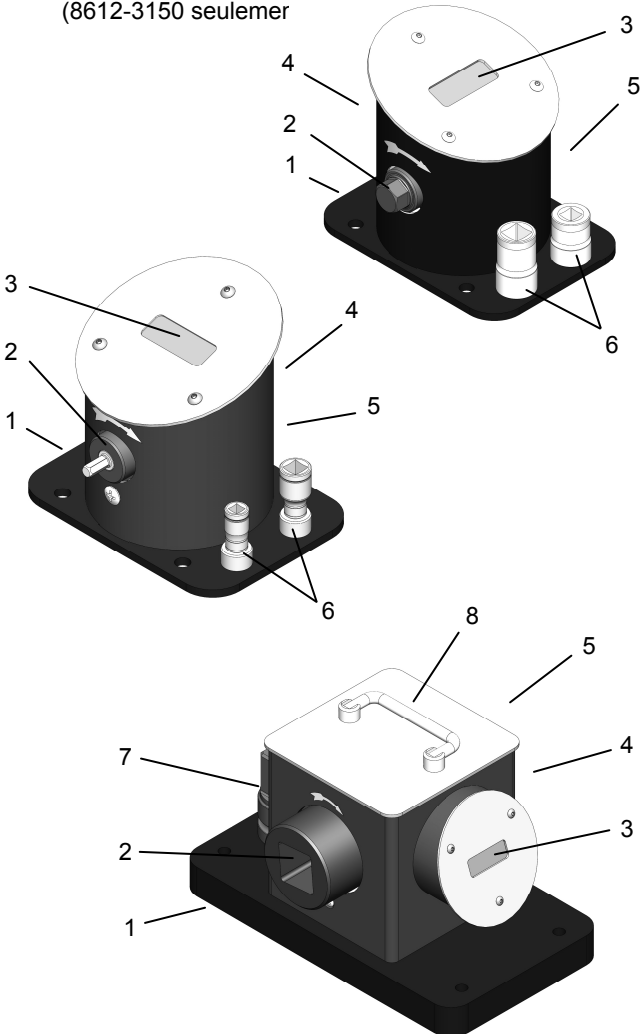
1.5 Milieu de travail

Utilisez TOUJOURS le contrôleur de couple dans un milieu de travail sécuritaire.

- Tenez l'aire de travail propre et en ordre.
- Utilisez le contrôleur de couple dans un endroit vaste et sécuritaire.
- L'aire de travail doit être exempte de grandes concentrations de poussières.
- N'utilisez JAMAIS le contrôleur de couple à ciel ouvert ou dans des endroits humides.
- N'utilisez JAMAIS le contrôleur de couple dans un endroit où un rayonnement ionisant ou électromagnétique élevé est présent.

2. Description du produit

1. Plaque de base
2. Entraînement
3. Affichage
4. Fiche d'alimentation et prise de courant/bloc d'alimentation
5. Interface RS232
6. Douille de la clé
7. Rallonge
8. Poignée de transport (8612-3150 seulement)



2.1 Portée d'exécution

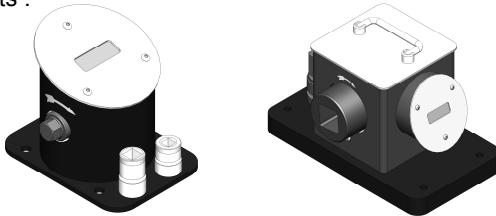
- Contrôleur de couple électronique
- Unité d'alimentation
- 100 – 240 V ; 50 – 60 Hz ; 500 mA maximum
Remarque : Voir la plaque signalétique.
- Douilles de la clé
(1x rallonge pour 8612-3150) (ouverture de clé et entraînement conformes à la dimension de conception)
- Mode d'emploi
- Certificat d'étalonnage
- Emballage d'expédition
- Câble RS232

3. Utilisation du contrôleur de couple

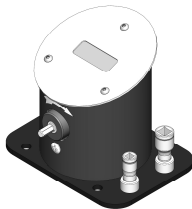


Lisez TOUJOURS la rubrique Renseignements importants sur la sécurité (section 1) AVANT d'utiliser le contrôleur de couple.

Ces instructions portent sur l'utilisation des types de produits suivants :



- Contrôleur de couple avec hexagone externe ou carré adaptateur interne latéral



- Contrôleur de couple avec adaptateur hexagonal externe à l'avant

Le procédé de contrôle est illustré sous forme de schéma par un contrôleur de couple avec adaptateur latéral (hexagone externe) pour la clé dynamométrique.

Les étapes du procédé de contrôle utilisant l'adaptateur frontal pour la clé dynamométrique sont exactement les mêmes. Le sens de rotation est clairement indiqué sur le boîtier du contrôleur de couple.

3.1 Termes utilisés

Tarage : Équilibre zéro ; le couple est réglé à « 0 ».

Premier pic : Détection du point de rupture (le couple de desserrage de la clé dynamométrique s'affiche).

Calibrage : Test d'exactitude de la mesure.

Clé dynamométrique : Desserrage du couple de la clé dynamométrique conforme à la norme DIN EN ISO 6789 Type II.

3.2 Montage du contrôleur de couple

▲ AVERTISSEMENT

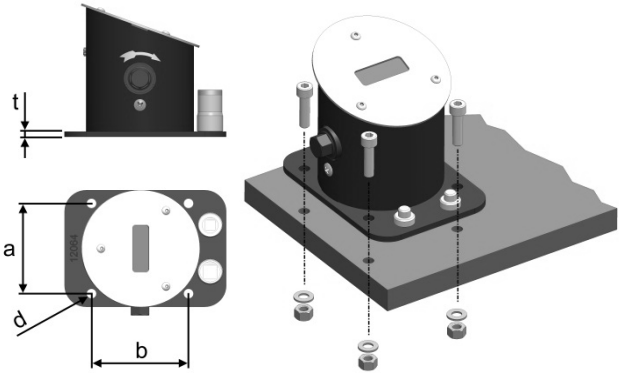
N'utilisez JAMAIS le contrôleur de couple si celui-ci n'est pas fixé solidement sur une surface rigide au moyen des fixations (voir ci-dessous).

Assurez-vous TOUJOURS que la surface de montage ne basculera pas pendant l'utilisation du contrôleur de couple.

N'utilisez JAMAIS le contrôleur de couple à ciel ouvert ou dans des endroits humides.

Pour la fixation sur une surface adéquate, Gedore recommande d'utiliser des vis de culasse ou à tête hexagonale (4 pièces) de dimension M8 avec classe de résistance minimale de 8,8 (M10 avec classe de résistance minimale de 8,8 pour 8612-3150), avec rondelles et écrous correspondants.

Placez TOUJOURS l'unité de manière à ne créer aucun point de pincement entre le contrôleur de couple, la clé dynamométrique et la surface de montage.



N° de modèle	a		b	
	[inch]	[mm]	[inch]	[mm]
8612-012	3,35	85	3,55	90
8612-050	3,35	85	3,55	90
8612-300	3,35	85	3,55	90
8612-1000	4,52	115	6,89	175
8612-3150	4,52	115	11,02	280

N° de modèle	d		t	
	[inch]	[mm]	[inch]	[mm]
8612-012	0,35	9	0,20	5
8612-050	0,35	9	0,20	5
8612-300	0,35	9	0,20	5
8612-1000	0,35	9	0,40	10
8612-3150	0,43	11	1,18	30

3.3 Activation et désactivation

⚠ AVERTISSEMENT

TOUJOURS retirer tous les accessoires, clés dynamométriques et autres pièces de l'adaptateur avant d'activer le contrôleur de couple. Le fait de ne pas tenir compte de cet avertissement pourrait fausser les connexions à vis et vous exposer à des BLESSURES GRAVES ou LA MORT.

⚠ AVERTISSEMENT**RISQUE D'ÉLECTROCUTION**

N'utilisez JAMAIS le contrôleur de couple dans un endroit où un rayonnement ionisant ou électromagnétique élevé est présent.

N'utilisez JAMAIS le contrôleur de couple à ciel ouvert ou dans des endroits humides.

NE touchez JAMAIS à l'unité d'alimentation ou à la fiche d'alimentation et à la prise électrique avec les mains mouillées.

Utilisez TOUJOURS le contrôleur de couple avec l'unité d'alimentation fournie.

Branchez toujours l'unité d'alimentation **UNIQUEMENT** au réseau d'énergie si la tension et la fréquence de l'unité d'alimentation indiquées sont conformes à la tension et à la fréquence d'alimentation du réseau d'énergie.

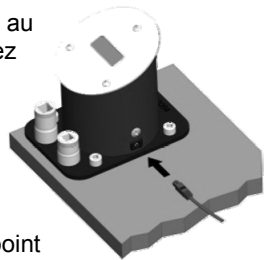
Branchez toujours le contrôleur de couple à des unités et des câbles d'alimentation en bon état **UNIQUEMENT**.

NE recouvrez JAMAIS des unités d'alimentation qui sont branchées.

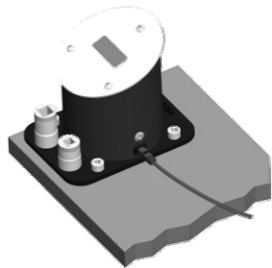
3.3.1 Activation

Branchez le câble de connexion de l'unité d'alimentation au contrôleur de couple. Puis branchez l'unité d'alimentation à la prise. Le contrôleur de couple se met automatiquement sous tension à cette étape. Un tarage automatique est lancé.

L'unité est prête à être utilisée dès que la valeur « 0 0 0 0 » (avec le point décimal selon le modèle) s'affiche.

**3.3.2 Désactivation**

Pour désactiver le contrôleur de couple, débranchez d'abord l'unité d'alimentation de la prise. Débranchez ensuite le câble de connexion de l'unité d'alimentation du contrôleur de couple.



3.4 Tarage du contrôleur de couple

Une fois le contrôleur de couple désactivé, la valeur « 0 0 0 0 » s'affiche. Si une valeur différente s'affiche à l'écran du contrôleur de couple à l'état non chargé, c'est que le contrôleur de couple doit être taré de nouveau.

Pour ce faire, débranchez la fiche d'alimentation électrique et attendez cinq secondes avant de la rebrancher. Le contrôleur de couple lancera automatiquement un nouveau tarage.

3.5 Alternance des unités de mesure

AVIS

Le contrôleur de couple peut alterner entre les unités « N·m » et « lbf·ft » (« lbf·in » pour 8612-012).

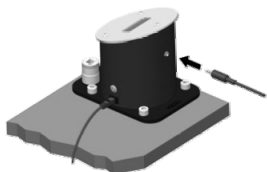
Une fois le contrôleur de couple activé, les unités actuelles s'affichent sous la forme d'une barre à l'écran à côté de l'unité imprimée.

Vous pouvez modifier les unités en appliquant un couple minimal antihoraire (voir le tableau ci-dessous) pendant au moins deux secondes. La barre à l'écran se déplacera ensuite à la position des unités de remplacement imprimées sur la plaque-couvercle.

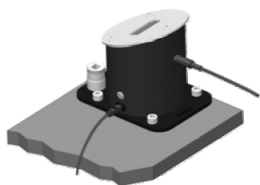
Couple antihoraire minimal		
N° de modèle	[lbf·ft]	[N·m]
8612-012	> 13,3	> 1,5
8612-050	> 3,7	> 5
8612-300	> 11,1	> 15
8612-1000	> 18,5	> 25
8612-3150	> 110,6	> 150

3.6 Interface RS232 et connexion à un ordinateur

Vous pouvez connecter le contrôleur de couple à l'interface RS232 d'un ordinateur. Ainsi, vous pourrez transférer les valeurs de mesure dans l'ordinateur. Utilisez le câble de connexion (connecteur sub-D 9 broches / connecteur femelle 3,5 mm 3 broches) fourni à cette fin.



Utilisez un logiciel compatible avec votre système d'exploitation et votre matériel pour communiquer avec le contrôleur de couple. L'interface que renferme le contrôleur de couple est toujours active et ne peut être désactivée.



Pour plus de détails concernant les réglages, voir la section 8 (Données techniques).

Sortie en format ASCII standard. Exemple de sortie :

```

***                GEDORE                ***
DREMOTEST-E 8612-050 SNR. 99999
SCHLUESSEL-/Wrench-No. : _____
No.                MESSWERT/Value
001 ----- 02.68 N.m
002 ----- 01.02 N.m
003 ----- 01.44 N.m

```

La phase d'en-tête et le pointage de la lecture recommencent lorsque le bloc d'alimentation est branché.

3.7 Test d'une clé dynamométrique avec le contrôleur de couple

⚠ AVERTISSEMENT

DANGER DE SURCHARGE

En cas de surcharge du contrôleur de couple, celui-ci peut se briser et causer de SÉRIEUSES BLESSURES ou LA MORT.

Utilisez TOUJOURS des accessoires d'origine.
Les accessoires non approuvés par Gedore pourraient ne

pas supporter les charges ou provoquer une surcharge du contrôleur de couple.

Inspectez TOUJOURS le contrôleur de couple pour la présence de dommages AVANT de l'utiliser.

N'utilisez JAMAIS un contrôleur de couple endommagé.

N'utilisez JAMAIS un contrôleur de couple qui a été échappé, utilisé pour frapper d'autres objets ou sur lequel on a échappé quelque chose.

⚠ AVERTISSEMENT

RÉGLAGE DE COUPLE INADÉQUAT

Un contrôleur de couple mal calibré peut entraîner une défaillance des connexions à vis, de la clé dynamométrique ou des accessoires. Une telle situation peut causer des BLESSURES SÉRIEUSES ou la MORT.

Un contrôleur de couple mal calibré peut provoquer un réglage de couple excessif ou insuffisant sur la clé dynamométrique, et ainsi, entraîner des BLESSURES SÉRIEUSES ou la MORT.

Utilisez toujours un contrôleur de couple testé et calibré UNIQUEMENT (voir la section 4.1 – Test et calibrage).

⚠ AVERTISSEMENT

Assurez-vous TOUJOURS que le contrôleur de couple est fixé solidement avant de l'utiliser.

Veillez à TOUJOURS utiliser l'unité conformément aux spécifications.

N'utilisez JAMAIS le contrôleur de couple au-delà de la plage de couple permise. La plage de couple est imprimée sous l'écran.

Positionnez TOUJOURS la clé dynamométrique sur l'adaptateur dans un angle de 90°.

N'utilisez JAMAIS de rallonge.

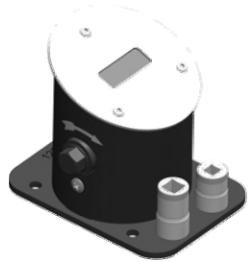
Utilisez TOUJOURS des accessoires ou des pièces d'origine approuvées par le fabricant.

Si la résistance change soudainement au cours d'un test, relâchez IMMÉDIATEMENT le contrôleur de couple ou la clé dynamométrique puis vérifiez l'un et l'autre pour la présence de dommages.

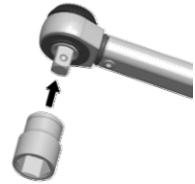
Utilisez TOUJOURS le contrôleur de couple dans le sens de rotation indiqué. Suivez le sens de rotation indiqué par la flèche.

Le contrôleur de couple affiche le couple appliqué jusqu'à ce que le couple cède (p. ex., en raison d'un déclenchement de la clé dynamométrique ou du contrôleur de couple, ou d'une interruption de l'alimentation). Le couple maximal atteint avant la chute est reproduit à l'écran pendant un bref moment. Puis le couple actuellement appliqué s'affiche de nouveau.

Le contrôleur de couple a été conçu pour mesurer les clés dynamométriques à déclenchement dans le sens horaire. Le sens de rotation est clairement indiqué sur le boîtier.

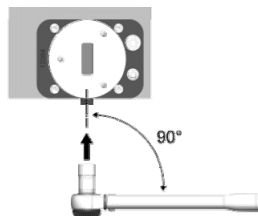


Insérez la douille de clé appropriée sur l'adaptateur de la clé dynamométrique. Veillez à ce que l'élément de prise se verrouille lorsque vous installez la douille de la clé sur l'adaptateur de la clé dynamométrique. Vérifiez la solidité du raccord en tirant vigoureusement sur la douille de la clé.

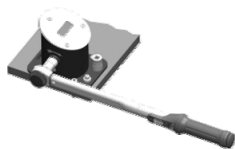
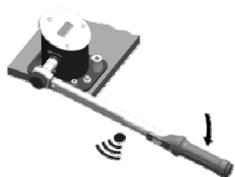
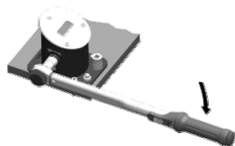


Assurez-vous que la valeur « 0 0 0 0 » est affichée. Si vous constatez une divergence dans l'affichage, veuillez appliquer la procédure décrite à la Section 3.4 (Tarage du contrôleur de couple).

Positionnez la clé dynamométrique, y compris la douille de la clé sur l'adaptateur du contrôleur de couple dans un angle de 90°. Faites glisser la douille hexagonale aussi loin que possible sur l'adaptateur hexagonal.



Tournez lentement et uniformément la clé dynamométrique par le manche dans le sens de la flèche indiquée sur le boîtier jusqu'à ce que vous entendiez un clic et que vous sentiez un léger à-coup du manche.



Relâchez TOUJOURS le contrôleur de couple IMMÉDIATEMENT dès le déclenchement de la clé dynamométrique. Le couple en cours est affiché à l'écran.

3.8 Avis de surcharge électronique

⚠ AVERTISSEMENT

DANGER CAUSÉ PAR UN COUPLE DE SERRAGE INADÉQUAT

Un contrôleur de couple mal calibré peut entraîner une défaillance des connexions à vis, de la clé dynamométrique ou des accessoires. Une telle situation peut causer des BLESSURES SÉRIEUSES ou la MORT. (Section 4.1)

Pour modèle 8612-012

A l'amorçage de couples trop élevés (>13 Nm), le contrôleur de couple électronique émet un signal acoustique permanent.

Déchargez immédiatement le contrôleur de couple électronique. Des traits horizontaux apparaissent sur le bord supérieur et inférieur de l'affichage.
Coupez l'alimentation du contrôleur de couple électronique pour arrêter le signal acoustique.

AVIS

Pour être sûr que l'arbre de torsion n'a pas été endommagé suite à la surcharge, vous devez faire vérifier (calibrer) le contrôleur de couple.

Adressez-vous à ce propos à notre service :
www.gedore.com

4. Entretien

4.1 Test du calibrage

⚠ AVERTISSEMENT**DANGER CAUSÉ PAR UN COUPLE DE SERRAGE
INADÉQUAT**

Un contrôleur de couple mal calibré peut entraîner une défaillance des connexions à vis, de la clé dynamométrique ou des accessoires. Une telle situation peut causer des BLESSURES SÉRIEUSES ou la MORT.

Un contrôleur de couple mal calibré peut provoquer un réglage de couple excessif ou insuffisant sur la clé dynamométrique, et ainsi, entraîner des BLESSURES SÉRIEUSES ou la MORT.

Utilisez toujours un contrôleur de couple testé et calibré UNIQUEMENT.

Des forces considérables sont générées lorsque vous utilisez le contrôleur de couple. Lorsque les contrôleurs de couple ne sont pas testés ou entretenus, il y a un risque qu'ils ne puissent supporter les charges ou qu'ils indiquent un couple de serrage imprécis. Tenez TOUJOURS compte des renseignements suivants sur la sécurité afin d'éviter les BLESSURES SÉRIEUSES ou LA MORT :

- N'utilisez JAMAIS un contrôleur de couple défectueux.
- Faites TOUJOURS calibrer périodiquement le contrôleur de couple.

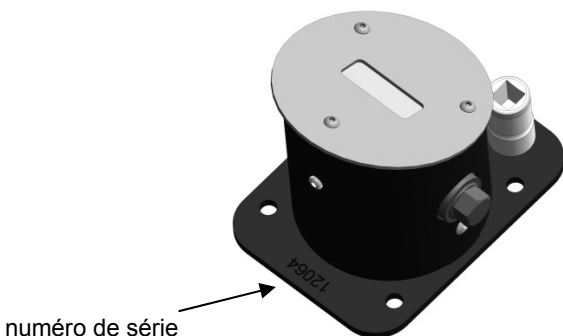
Gedore recommande d'effectuer un calibrage au moins tous les 12 mois. Les clés dynamométriques sensibles, les propres spécifications d'une entreprise ou certaines exigences pour la qualité peuvent également justifier des intervalles de calibrage du contrôleur de couple considérablement plus courts.

AVIS

Ne négligez PAS le recalibrage du contrôleur de couple. Un mauvais calibrage pourrait être la cause de dommages au contrôleur de couple.

Le calibrage doit être confié **UNIQUEMENT** à des spécialistes autorisés, à un laboratoire d'étalonnage ou au fabricant.

Chaque contrôleur de couple s'accompagne d'un certificat d'étalonnage. Le contrôleur de couple et le certificat d'étalonnage sont tous deux étiquetés du même numéro de série.



4.2 Soins et entreposage

AVIS

Une manipulation inadéquate peut endommager le contrôleur de couple. Prenez **TOUJOURS** les précautions suivantes pour prévenir les dommages :

Ne nettoyez **JAMAIS** le contrôleur de couple avec des détergents. Ces produits peuvent endommager les mécanismes ou les composants électroniques.

Nettoyez toutes les pièces après chaque utilisation **UNIQUEMENT** à l'aide d'un chiffon propre.

N'IMMERGEZ JAMAIS le contrôleur de couple dans l'eau.

Rangez toujours le contrôleur de couple dans son emballage pour le protéger contre la corrosion.

Rangez le contrôleur de couple dans son emballage, dans un endroit propre et sec.

5. Accessoires et pièces

Le fabricant offre, dans le cadre de son programme d'accessoires et pièces, une variété de composants qui ouvrent d'autres possibilités d'application et qui rendent le travail encore plus efficace.

6. Élimination sans danger pour l'environnement

Jetez le contrôleur de couple, les accessoires, les pièces et le matériel d'emballage conformément à la loi en vigueur en cette matière.

7. Fabricant

GEDORE TorqueTech GmbH
Rathausstraße 22
42659 Solingen · GERMANY

Tel. : 0049 (0)1804 373668

Fax : 0049 212 888 100

Internet : www.gedore.com

8. Données techniques

Les données suivantes sont fournies à des fins d'orientation. Le développement constant du produit pourrait donner lieu à certaines variations.

N° de modèle	[lbf·in]	[lbf·ft]	[N·m]	Douille	Adaptateur
8612-012	1,8 - 106	-	0,2 – 12.0	Ouverture de clé 1/4"	1/4" et 3/8"
8612-050	-	0,7 – 40,6	0,9 – 55.0	Ouverture de clé 10	1/4" et 3/8"
8612-300	-	7 - 236	9,0 – 320.0	Ouverture de clé 17	3/8" et 1/2"
8612-1000	-	66 - 811	90 – 1,100	Ouverture de clé 36	1/2" et 3/4"
8612-3150	-	369 - 2323	500 – 3,150	□ 1½"	1"

N° de modèle	Dimensions		Poids	
	[inch]	[mm]	[lb]	[kg]
8612-012	5,91 x 4,92 x 4,96	150 x 125 x 126	≈ 6,6	3
8612-050	5,91 x 4,49 x 4,96	150 x 114 x 126		
8612-300	5,91 x 4,65 x 4,96	150 x 118 x 126		
8612-1000	10,24 x 7,11 x 6,91	260 x 180,5 x 175,6	≈ 22	10
8612-3150	12,60 x 7,99 x 7,76	320 x 203 x 197	≈ 57,3	26

Tarage (équilibre zéro)	Automatiquement (si l'alimentation électrique est assurée)
Capteur	Vague de torsion avec circuit à pont complet de tensiomètre
Exactitude de mesure	Maximum ± 1 % / ± 1 chiffre d'une valeur de mesure en particulier
Affichage du couple	Écran ACL
Bloc d'alimentation	12 V CC (courant continu)
Plage de température	Température ambiante de + 18 °C à + 28 °C
Configuration de connexion	RS232, 9600 bauds, sans contrôle de parité, 8 bits de données, 1 bit d'arrêt, sans contrôle de flux

Inhaltsverzeichnis

1. Wichtige Sicherheitsinformationen	64
1.1 Sicherheitshinweise und Warnungen vor Sachschäden	64
GEFAHR DER ÜBERLASTUNG	65
GEFAHR DES FEHLERHAFTEN SCHRAUBANZUGES	65
EXPLOSIONS- UND BRANDGEFAHR	66
ZULÄSSIGE UMWELTBEDINGUNGEN	66
GEFAHR DURCH ELEKTRISCHEN STROM	66
1.2 Persönliche Schutzausrüstung	67
1.3 Bestimmungsgemäßer Gebrauch	67
1.4 Handhabung	68
1.5 Arbeitsumgebung	68
2. Produktbeschreibung	69
2.1 Lieferumfang	70
3. Benutzung Prüfgerät	70
3.1 Verwendete Begriffe	71
3.2 Aufstellen des Prüfgerätes	71
3.3 Ein- / Ausschalten	72
3.3.1 Einschalten	73
3.3.2 Ausschalten	73
3.4 Tarierung des Prüfgerätes	73
3.5 Umschaltung der Messeinheiten	74
3.6 RS232-Schnittstelle und Anschluss an PC	75
3.7 Prüfen eines Drehmomentschraubwerkzeuges mit dem Prüfgerät	75
3.8 Elektronischer Überlasthinweis	78
4. Wartung	79
4.1 Prüfung und Kalibrierung	79
4.2 Pflege und Aufbewahrung	80
5. Zubehör	81
6. Umweltschonende Entsorgung	81
7. Hersteller	81
8. Technische Daten	82

1. Wichtige Sicherheitsinformationen



Lesen und verstehen Sie die Betriebsanleitung vor dem Gebrauch des Prüfgerätes. Ein Fehlgebrauch kann zu **SCHWEREN VERLETZUNGEN** oder **TOD** führen.

Die Betriebsanleitung ist Bestandteil des Prüfgerätes. Bewahren Sie die Betriebsanleitung an einem sicheren Ort für eine spätere Verwendung auf und geben Sie diese an nachfolgende Benutzer des Prüfgerätes weiter.



Das Prüfgerät sollte nur von **GESCHULTEN BENUTZERN**, die im sicheren Umgang mit dem Prüfgerät unterwiesen wurden, benutzt werden. Ein Einsatz ohne Unterweisung kann zu **SCHWEREN VERLETZUNGEN** oder **TOD** führen.

Stellen Sie sicher, dass vor der ersten Benutzung des Prüfgerätes die Betriebsanleitung gelesen und verstanden wurde. Die Betriebsanleitung **MUSS** dem Benutzer jederzeit zur Verfügung stehen.

1.1 Sicherheitshinweise und Warnungen vor Sachschäden

Warnhinweise in dieser Betriebsanleitung sind zur besseren Unterscheidung folgendermaßen klassifiziert:

⚠️ WARNUNG

Hinweis auf eine gefährliche Situation, die, wenn sie nicht vermieden wird, möglicherweise zum Tod oder zu schweren Verletzungen führt.

⚠️ VORSICHT

Hinweis auf eine gefährliche Situation, die, wenn sie nicht vermieden wird, möglicherweise zu mittleren oder leichten Verletzungen führt.

⚠️ ACHTUNG

Hinweis auf eine gefährliche Situation, die, wenn sie nicht vermieden wird, möglicherweise zu Sachschäden oder zu Beschädigungen des Prüfgerätes führt.



Dies ist ein Warnzeichen. Es wird benutzt, um vor der möglichen Gefahr von Verletzungen zu warnen. Beachten Sie alle diesem Symbol folgenden Sicherheitshinweise, um mögliche Verletzungen oder Tod zu vermeiden. Beachten Sie, dass dieses Symbol in die Hinweise „Warnung“ und „Vorsicht“ integriert ist.

⚠️ WARNUNG

GEFAHR DER ÜBERLASTUNG

Das Prüfgerät kann beim Gebrauch überlastet werden und dadurch brechen. Dies kann möglicherweise zu **SCHWEREN VERLETZUNGEN** oder **TOD** führen.

Verwenden Sie **NUR** Original-Zubehör. Bei der Benutzung von Zubehör, welches vom Hersteller nicht freigegeben wurde, besteht ebenfalls die Gefahr, dass dieses den Belastungen nicht standhält.

Prüfen sie das Prüfgerät **VOR JEDEM** Gebrauch auf Beschädigungen.

Benutzen Sie **NIEMALS** das Prüfgerät, wenn dieses fallen gelassen wurde, oder gegen andere Gegenstände geschlagen ist, oder Gegenstände auf das Prüfgerät gefallen sind.

⚠️ WARNUNG

GEFAHR DES FEHLERHAFTEN SCHRAUBANZUGES

Ein nicht kalibriertes Prüfgerät kann zum Bruch von Schraubverbindungen, des Drehmomentschraubwerkzeuges und des Zubehörs führen. Dies kann möglicherweise zu **SCHWEREN VERLETZUNGEN** oder **TOD** führen.

Verwenden Sie **NUR** geprüfte und kalibrierte Prüfgeräte, siehe Kapitel 4.1 Prüfung und Kalibrierung.

⚠️ WARNUNG**EXPLOSIONS- UND BRANDGEFAHR**

Beim Gebrauch des Prüfgerätes können Funken entstehen, die zu einer Explosion oder einem Brand führen können und möglicherweise zu **SCHWEREN VERLETZUNGEN** oder **TOD** führen.

Verwenden Sie **NIEMALS** das Drehmoment-Schraubwerkzeug in Bereichen in denen Funken zu Explosionen oder Bränden führen können.

⚠️ WARNUNG**ZULÄSSIGE UMWELTBEDINGUNGEN**

Wenn das Prüfgerät Temperaturen unter 18°C, oder über 28°C, oder hoher Luftfeuchtigkeit über 90%, ausgesetzt wird, kann eine fehlerhafte Messung die Folge sein.

Überprüfen Sie **IMMER** das Prüfgerät vor der Nutzung in extremen klimatischen Bedingungen mit einem zugelassenen Drehmoment-Messequipment.

⚠️ WARNUNG**GEFAHR DURCH ELEKTRISCHEN STROM**

Verwenden Sie das Prüfgerät **NIEMALS** in Bereichen mit hoher elektromagnetischer oder ionisierender Strahlung.

Benutzen Sie **NIEMALS** das Prüfgerät im Freien oder in feuchten Räumen.

Berühren Sie **NIEMALS** das Netzteil oder die Steckverbindungen mit nassen Händen.

Verbinden Sie **NUR** das Netzteil mit dem Stromnetz, wenn die angegebene Netzteilspannung und Netzteilfrequenz mit der Netzspannung und Netzfrequenz des Stromnetzes übereinstimmen.

Benutzen Sie das Prüfgerät **NUR** mit dem mitgelieferten Netzteil.

Verbinden Sie **NUR** unbeschädigte Netzteile und Zuleitungen mit dem Prüfgerät.

Decken Sie **NIEMALS** angeschlossene Netzteile ab.

1.2 Persönliche Schutzausrüstung



Tragen Sie **IMMER** persönliche Schutzausrüstung, wenn Sie das Prüfgerät benutzen. Das Prüfgerät oder das Drehmoment-Schraubwerkzeug können brechen oder abrutschen. Dieses kann möglicherweise zu **SCHWEREN VERLETZUNGEN** oder **TOD** führen:



Tragen Sie **IMMER** **AUGENSCHUTZMITTEL** (*ANSI/ISEA Z87.1-2010*), zum Schutz vor herumfliegenden Teilen, bei der Benutzung des Prüfgerätes.

- **PARTIKEL** können bei der Arbeit mit dem Prüfgerät hochgeschleudert werden. Dies kann möglicherweise zu **SCHWEREN VERLETZUNGEN** oder **TOD** führen.



Tragen Sie **IMMER** **SCHUTZHANDSCHUHE** beim Gebrauch des Prüfgerätes.

- Das Prüfgerät oder das Drehmomentschraubwerkzeug können brechen oder abrutschen. Dies kann zu **SCHWEREN VERLETZUNGEN** an Fingern und Händen führen.



Tragen Sie **IMMER** **SICHERHEITSSCHUHE** mit rutschhemmender Sohle und Stahlkappe (*ASTM F2413-05*) bei dem Gebrauch des Prüfgerätes.

- Herabfallende Teile können zu **SCHWEREN VERLETZUNGEN** der Füße und Zehen führen.

1.3 Bestimmungsgemäßer Gebrauch



Das Prüfgerät ist für die Überprüfung von rechtsgängig auslösenden Drehmoment-Schraubwerkzeugen entwickelt worden.

- Verwenden Sie das Prüfgerät **NUR** für diese Anwendung.
- Jeder andere Gebrauch kann möglicherweise zu **SCHWEREN VERLETZUNGEN** oder **TOD** führen.
- Erlauben Sie **NIEMALS** Kindern das Prüfgerät zu benutzen.

1.4 Handhabung

WARNUNG

Ein Missbrauch kann zu **SCHWEREN VERLETZUNGEN** oder **TOD** führen.

Beachten Sie die nachfolgenden Sicherheitsvorkehrungen, um Verletzungen und Sachschäden durch Missbrauch und unsicheren Umgang mit dem Prüfgerät zu vermeiden:

- Kontrollieren Sie **IMMER** das Prüfgerät, insbesondere die Aufnahme und das Gehäuse, sowie das Zubehör auf sichtbare Beschädigungen vor der Benutzung.
- Verwenden Sie **NIEMALS** ein beschädigtes Prüfgerät.
- Verwenden Sie **NIEMALS** ein Prüfgerät und Zubehörteile die Veränderungen aufweisen.
- Verändern Sie **NIEMALS** ein Prüfgerät und Zubehörteile.
- Verwenden Sie **IMMER** das Prüfgerät in der vorgegebenen Drehrichtung. Beachten Sie den Drehrichtungspfeil.
- Verwenden Sie **IMMER** normgerechte oder vom Hersteller freigegebene Zubehörteile.
- Transportieren Sie **IMMER** das Prüfgerät in der stoßgeschützten Verpackung.

1.5 Arbeitsumgebung

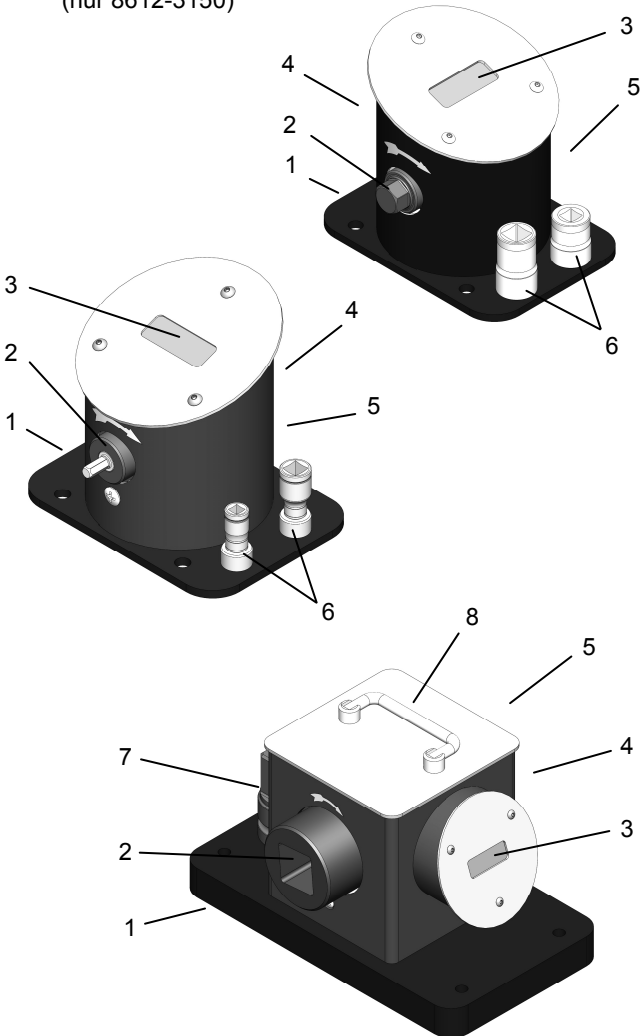


Verwenden Sie das Prüfgerät **IMMER** in einer sicheren Arbeitsumgebung.

- Der Arbeitsbereich muss sauber und aufgeräumt sein.
- Der Arbeitsbereich muss ausreichend groß und abgesichert sein.
- Verwenden Sie **NIEMALS** das Prüfgerät in einem Arbeitsbereich mit einer hohen Staubkonzentration.
- Verwenden Sie **NIEMALS** das Prüfgerät in einem Arbeitsbereich mit einer hohen elektromagnetischen oder ionisierenden Strahlung.

2. Produktbeschreibung

1. Grundplatte
2. Antrieb
3. Display
4. Steckverbindung/Spannungsversorgung
5. RS232-Schnittstelle
6. Steckschlüsseinsatz
7. Vergrößerungsstück
8. Transportgriff
(nur 8612-3150)



2.1 Lieferumfang

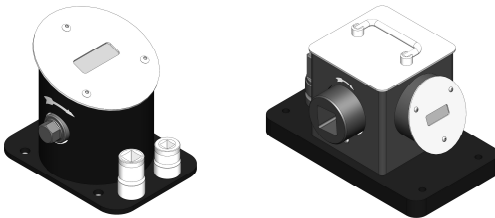
- Elektronisches Prüfgerät
- Netzteil
- 100 - 240 V; 50 - 60 Hz; max. 500 mA (Typschild beachten!)
- 2 Steckschlüsseinsätze
(1x Vergrößerungsstück für 8612-3150) (SW und Antrieb nach Baugröße)
- Betriebsanleitung
- Prüfzertifikat
- Versandverpackung
- RS232-Kabel

3. Benutzung Prüfgerät

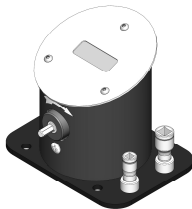


Lesen Sie **IMMER** die wichtigen Sicherheitsinformationen (Kapitel 1) **VOR** der Benutzung des Prüfgerätes.

Die Betriebsanleitung beschreibt die Benutzung der folgenden Produktvarianten:



- Prüfgerät mit seitlicher Außensechskant- oder Innenvierkantaufnahme



- Prüfgerät mit frontaler Außensechskantaufnahme

Der Prüfvorgang wird schematisch anhand eines Prüfgerätes mit seitlicher Aufnahme (Außensechskant) für das Drehmoment-Schraubwerkzeug dargestellt.

Die Arbeitsschritte beim Prüfvorgang mit frontaler Aufnahme für das Drehmoment-Schraubwerkzeug unterscheiden sich nicht. Die Drehrichtung ist auf dem Gehäuse deutlich erkennbar markiert.

3.1 Verwendete Begriffe

- Tarierung:** Nullabgleich; das Drehmoment wird auf „0“ gesetzt.
- First Peak:** Knickpunkterkennung
(das Auslösemoment des Drehmoment-Schraubwerkzeuges wird angezeigt).
- Kalibrierung:** Überprüfung der Messgenauigkeit.
- Drehmoment-Schraubwerkzeug:** Auslösender Drehmomentschlüssel nach DIN EN ISO 6789 Typ II.

3.2 Aufstellen des Prüfgerätes

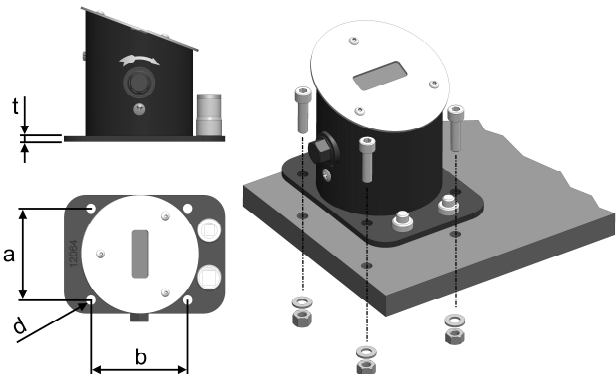
⚠️ WARNUNG

Benutzen Sie NIEMALS das Prüfgerät, wenn dieses nicht auf einer stabilen Unterlage mit geeigneten Befestigungsmitteln befestigt ist. Achten Sie IMMER darauf, dass die Unterlage durch die Benutzung des Prüfgerätes nicht kippt.

Benutzen Sie NIEMALS das Prüfgerät im Freien oder in feuchten Räumen.

Wir empfehlen zur Befestigung auf einer geeigneten Unterlage Sechskant- oder Zylinderkopfschrauben (4 Stück) Größe M8, mit mindestens Festigkeitsklasse 8.8 (M10 mit mindestens Festigkeitsklasse 8.8 für 8612-3150), mit geeigneten Unterlegscheiben und Muttern.

Positionieren Sie das Gerät IMMER so, dass keine Quetschstellen zwischen Prüfgerät, Drehmoment-Schraubwerkzeug und Unterlage entstehen.



Modell-Nr.	a		b	
	[inch]	[mm]	[inch]	[mm]
8612-012	3.35	85	3.55	90
8612-050	3.35	85	3.55	90
8612-300	3.35	85	3.55	90
8612-1000	4.52	115	6.89	175
8612-3150	4.52	115	11.02	280

Modell-Nr.	d		t	
	[inch]	[mm]	[inch]	[mm]
8612-012	0.35	9	0.20	5
8612-050	0.35	9	0.20	5
8612-300	0.35	9	0.20	5
8612-1000	0.35	9	0.40	10
8612-3150	0.43	11	1.18	30

3.3 Ein- / Ausschalten

⚠️ WARNUNG

Entfernen Sie **IMMER** vor dem Einschalten des Prüfgerätes alle Zubehörteile, Drehmoment-Schraubwerkzeuge und sonstigen Teile aus der Aufnahme. Bei nicht Beachtung kann dieses zu fehlerhaften Schraubverbindungen und möglicherweise zu **SCHWEREN VERLETZUNGEN** oder **TOD** führen.

⚠️ WARNUNG

GEFAHR DURCH ELEKTRISCHEN STROM

Verwenden Sie das Prüfgerät **NIEMALS** in Bereichen mit hoher elektromagnetischer oder ionisierender Strahlung.

Benutzen Sie **NIEMALS** das Prüfgerät im Freien oder in feuchten Räumen.

Berühren Sie **NIEMALS** das Netzteil oder die Steckverbindungen mit nassen Händen.

Verbinden Sie **NUR** das Netzteil mit dem Stromnetz, wenn die angegebene Netzteilspannung und Netzteilfrequenz mit der Netzspannung und Netzfrequenz des Stromnetzes übereinstimmen.

Benutzen Sie das Prüfgerät NUR mit dem mitgelieferten Netzteil.

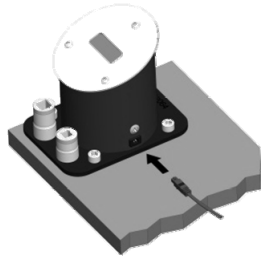
Verbinden Sie NUR unbeschädigte Netzteile und Zuleitungen mit dem Prüfgerät.

Decken Sie NIEMALS angeschlossene Netzteile ab.

3.3.1 Einschalten

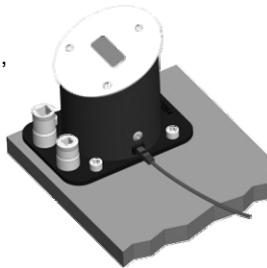
Verbinden Sie das Anschlusskabel mit dem Prüfgerät. Stecken Sie den Netzstecker in die Steckdose.

Das Prüfgerät schaltet sich nun automatisch ein. Es erfolgt eine automatische Tarierung. Das Gerät ist betriebsbereit, wenn es den Wert „0 0 0 0“ (je nach Modell mit Dezimalpunkt) anzeigt.



3.3.2 Ausschalten

Um das Prüfgerät auszuschalten, ziehen Sie zuerst den Netzstecker. Anschließend können Sie das Anschlusskabel vom Prüfgerät trennen.



3.4 Tarierung des Prüfgerätes

Nach dem Einschalten des Prüfgerätes wird im Display „0 0 0 0“ angezeigt. Sollte das Prüfgerät im unbelasteten Zustand einen anderen Wert anzeigen, muss das Prüfgerät erneut tariert werden. Dazu ziehen Sie den Netzstecker und stecken diesen frühestens nach 5 Sekunden wieder ein. Die automatische Tarierung wird erneut gestartet.

3.5 Umschaltung der Messeinheiten

ACHTUNG

Das Prüfgerät kann zwischen den Einheiten „N·m“ und „lbf·ft“ („lbf·in“ bei 8612-012) umgeschaltet werden.

Nach dem Einschalten des Prüfgerätes wird die aktuelle Einheit durch einen Balken im Display neben der aufgedruckten Einheit angezeigt.

Durch Aufbringen eines Mindest-Links-Drehmomentes (siehe folgende Tabelle) für mindestens 2 Sekunden können Sie die Einheit umschalten. Der Balken im Display wechselt dann zu der Stelle der aufgedruckten, alternativen Einheit auf dem Gerätedeckel.

Mindest Linksdrehmoment		
Model Nr.	[lbf·ft]	[N·m]
8612-012	> 13.3	> 1.5
8612-050	> 3.7	> 5
8612-300	> 11.1	> 15
8612-1000	> 18.5	> 25
8612-3150	> 110.6	> 150

3.6 RS232-Schnittstelle und Anschluss an PC

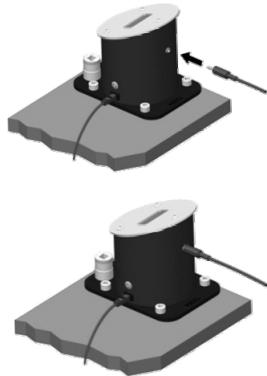
Sie können das Prüfgerät an die RS232-Schnittstelle eines PCs anschließen. Dadurch können Prüfwerte an den PC übertragen werden.

Benutzen Sie zum Anschluss das mitgelieferte

Verbindungskabel (9-pol. Sub-D Buchse / 3,5 mm 3-pol. Klinkenstecker).

Verwenden Sie zur Kommunikation mit dem Prüfgerät ein für Ihr Betriebssystem und Ihre Hardware geeignetes Terminalprogramm.

Die Schnittstelle im Prüfgerät ist immer aktiv und kann nicht abgeschaltet werden.



Verbindungsseinstellungen siehe unter 8 Technische Daten.

Ausgabe im Standard ASCII Format. Beispielausgabe:

```

***                GEDORE                ***
DREMOTEST-E 8612-050 SNR. 99999
SCHLUESSEL-/Wrench-No. : _____
No.                MESSWERT/Value
001 ----- 02.68 N.m
002 ----- 01.02 N.m
003 ----- 01.44 N.m

```

Der Kopfausdruck und das Zählen der Messung beginnt bei Einstecken der Stromversorgung neu.

3.7 Prüfen eines Drehmoment-Schraubwerkzeuges mit dem Prüfgerät

⚠️ WARNUNG

GEFAHR DER ÜBERLASTUNG

Das Prüfgerät kann beim Gebrauch überlastet werden und dadurch brechen. Dies kann möglicherweise zu SCHWEREN VERLETZUNGEN oder TOD führen.

Verwenden Sie NUR Original-Zubehör. Bei der Benutzung von Zubehör, welches vom Hersteller nicht freigegeben wurde, besteht ebenfalls die Gefahr, dass dieses den Belastungen nicht standhält.

Prüfen sie das Prüfgerät VOR JEDEM Gebrauch auf Beschädigungen.

Benutzen Sie NIEMALS das Prüfgerät, wenn dieses fallen gelassen wurde oder gegen andere Gegenstände geschlagen ist oder Gegenstände auf das Prüfgerät gefallen sind.

⚠️ WARNUNG

GEFAHR DES FEHLERHAFTEN SCHRAUBANZUGES

Ein nicht kalibriertes Prüfgerät kann zum Bruch von Schraubverbindungen, des Drehmoment-Schraubwerkzeuges und des Zubehörs führen. Dies kann möglicherweise zu SCHWEREN VERLETZUNGEN oder TOD führen.

Verwenden Sie NUR geprüfte und kalibrierte Prüfgeräte, siehe Kapitel 4.1.

⚠️ WARNUNG

Überprüfen Sie IMMER vor Benutzung des Prüfgerätes die ordnungsgemäße Befestigung des Prüfgerätes.

Stellen Sie sicher, dass Sie IMMER die vorgeschriebene Einheit verwenden.

Setzen Sie NIEMALS das Prüfgerät außerhalb des zugelassenen Drehmomentbereiches ein. Der Drehmomentbereich ist unterhalb des Displays aufgedruckt.

Setzen Sie IMMER das Drehmoment-Schraubwerkzeug im 90° Winkel auf die Aufnahme.
Verwenden Sie NIEMALS Verlängerungen.

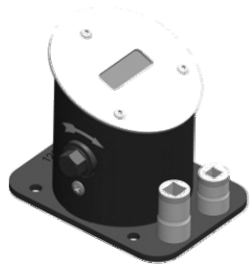
Verwenden Sie IMMER vom Hersteller freigegebene Original-Zubehör.

Wenn sich beim Prüfen unerwartet der Widerstand ändert, entlasten Sie SOFORT das Prüfgerät bzw. das Drehmoment-Schraubwerkzeug und prüfen Sie das Prüfgerät und das Drehmoment-Schraubwerkzeug auf Beschädigungen.

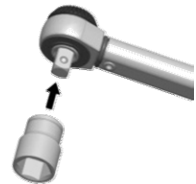
Verwenden Sie IMMER das Prüfgerät in der vorgegebenen Drehrichtung. Beachten Sie den Drehrichtungspfeil.

Das Prüfgerät zeigt das anliegende Drehmoment an, bis es zu einem Abfall des Drehmomentes kommt (z.B. durch das Auslösen des Drehmoment-Schraubwerkzeuges oder die Unterbrechung der Krafteinleitung). Das maximal erreichte Drehmoment, vor dem Abfall, wird für einen kurzen Moment im Display wiedergegeben. Anschließend wird wieder das aktuell anliegende Drehmoment angezeigt.

Das Prüfgerät ist für die Überprüfung von rechtsgängig auslösenden Drehmoment-Schraubwerkzeugen entwickelt worden. Die Drehrichtung ist auf dem Gehäuse deutlich erkennbar markiert.

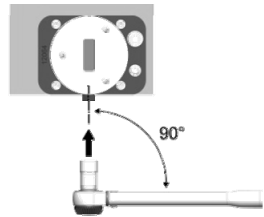


Stecken Sie den passenden Steckschlüsseinsatz auf die Aufnahme des Drehmoment-Schraubwerkzeuges. Achten Sie beim Aufstecken des Steckschlüsselaufsatzes auf die Aufnahme des Drehmoment-Schraubwerkzeuges auf das Einrasten der Fangelemente. Überprüfen Sie die sichere Verbindung durch deutlichen Zug am Steckschlüsseinsatz.

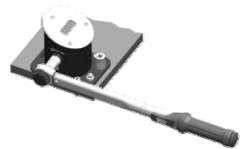
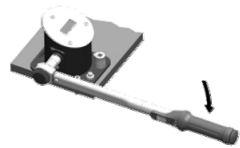


Prüfen Sie, ob die Anzeige im Display auf „0 0 0 0“ steht. Sollte eine Abweichung im Display angezeigt werden, verfahren Sie bitte wie unter 3.4 Tarierung des Prüfgerätes beschrieben.

Setzen Sie das Drehmoment-Schraubwerkzeug mit dem Steckschlüsseinsatz im 90° Winkel auf die Aufnahme des Prüfgerätes. Schieben Sie den Sechskanteinsatz so weit wie möglich auf die Sechskantaufnahme auf.



Drehen Sie das Drehmoment-Schraubwerkzeug am Handgriff langsam und gleichmäßig in Richtung des Pfeils (beachten Sie den Drehrichtungspfeil) bis ein Klick-Geräusch zu hören und ein leichtes Rucken zu spüren ist.



Entlasten Sie **IMMER** nach dem Auslösen des Drehmoment-Schraubwerkzeuges **SOFORT** das Prüfgerät. Der maximale Drehmomentwert wird im Display angezeigt

3.8 Elektronischer Überlasthinweis

⚠️ WARNUNG

GEFAHR DES FEHLERHAFTEN SCHRAUBANZUGES

Ein nicht kalibriertes Prüfgerät kann zum Bruch von Schraubverbindungen, des Drehmoment-Schraubwerkzeuges und des Zubehörs führen. Bei nicht Beachtung kann dieses zu fehlerhaften Schraubverbindungen und möglicherweise zu **SCHWEREN VERLETZUNGEN** oder **TOD** führen. (Kap. 4.1)

Für Modell 8612-012

Beim Einleiten zu hoher Drehmomente (>13 Nm) gibt das elektronische Prüfgerät einen dauerhaften Signalton aus.

Entlasten Sie das elektronische Prüfgerät sofort. Am oberen und unteren Rand des Displays erscheinen waagerechte Striche.

Trennen Sie das elektronische Prüfgerät vom Strom, um den Signalton abzuschalten.

ACHTUNG

Um sicher zu gehen, dass keine Beschädigung der Torsionswelle in Folge der Überlastung eingetreten ist, sollten Sie das Prüfgerät überprüfen (kalibrieren) lassen. Hierzu wenden Sie sich bitte an unseren Service: www.gedore.com

4. Wartung

4.1 Prüfung und Kalibrierung

⚠️ WARNUNG

GEFAHR DES FEHLERHAFTEN SCHRAUBANZUGES

Ein nicht kalibriertes Prüfgerät kann zum Bruch von Schraubverbindungen, des Drehmoment-Schraubwerkzeuges und des Zubehörs führen. Bei nicht Beachtung kann dieses zu fehlerhaften Schraubverbindungen und möglicherweise zu **SCHWEREN VERLETZUNGEN** oder **TOD** führen.

Verwenden Sie **NUR** geprüfte und kalibrierte Prüfgeräte.

Bei der Benutzung des Prüfgerätes wirken große Kräfte. Bei nicht geprüften bzw. gewarteten Prüfgeräten besteht die Gefahr, dass sie den Belastungen nicht standhalten oder fehlerhafte Anzugsmomente angezeigt werden. Beachten Sie **IMMER** die folgenden Sicherheitshinweise um **SCHWERE VERLETZUNGEN** und **TOD** zu vermeiden:

- Benutzen Sie **NIEMALS** ein fehlerhaftes Prüfgerät.
- Lassen Sie das Prüfgerät **IMMER** regelmäßig kalibrieren.

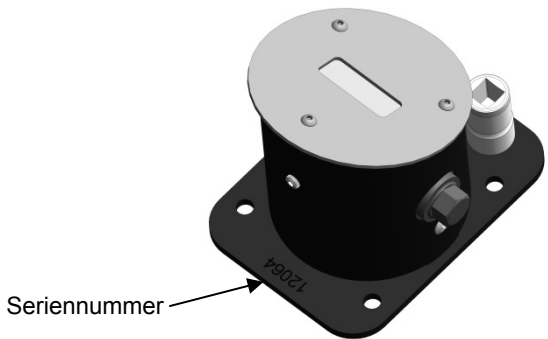
Als Mindestanforderung wird ein Kalibrierintervall von einmal alle 12 Monate empfohlen. Darüber hinaus können sensible Drehmoment-Schraubwerkzeuge, firmeneigenen Vorschriften, oder Qualitätsanforderungen zu deutlich kürzeren Kalibrierintervallen führen.

ACHTUNG

Versäumen Sie NIEMALS die Re-Kalibrierung des Prüfgerätes. Unsachgemäße Kalibrierung kann zu Schäden am Prüfgerät führen.

Die Kalibrierung darf NUR von autorisiertem Fachpersonal, einem akkreditierten Kalibrierlabor oder dem Hersteller vorgenommen werden.

Jedem neuen Prüfgerät liegt ein Kalibrierzertifikat bei. Das Prüfgerät und das Kalibrierzertifikat sind mit einer identischen Seriennummer gekennzeichnet.



4.2 Pflege und Aufbewahrung

ACHTUNG

Die unsachgemäße Handhabung kann zu Beschädigungen am Prüfgerät führen. Beachten Sie IMMER die folgenden Hinweise um Beschädigungen zu vermeiden:

Benutzen Sie NIEMALS Reinigungsmittel zum Reinigen des Prüfgerätes. Diese können zu Zerstörung der Mechanik oder der Elektronik führen.

Reinigen Sie nach jedem Gebrauch alle Teile NUR mit einem trockenen und sauberen Putztuch.

Tauchen Sie NIEMALS das Prüfgerät in Wasser.

Legen Sie zum Schutz vor Korrosion das Prüfgerät nach dem Gebrauch in die Verpackung zurück.

Bewahren Sie das Prüfgerät in der Verpackung an einem trockenen und sauberen Ort auf.

5. Zubehör

Der Hersteller bietet im Zubehörprogramm eine Vielzahl an Komponenten, die weitere Anwendungsbereiche erschließen und das Arbeiten noch effektiver und effizienter machen.

6. Umweltschonende Entsorgung

Entsorgen Sie das Prüfgerät, Zubehör und Verpackungsmaterial gemäß den gesetzlichen Vorschriften.

7. Hersteller

GEDORE TorqueTech GmbH
Rathausstraße 22
42659 Solingen · GERMANY

Tel.: 0049 (0)1804 373668

Fax.: 0049 212 888 100

Internet: www.gedore.com

8. Technische Daten

Die folgenden Daten dienen zur Orientierung. Aufgrund der laufenden Weiterentwicklung des Produktes können sich Abweichungen ergeben.

Modell-Nr.	[lbf·in]	[lbf·ft]	[N·m]	Aufnahme	Adapter
8612-012	1.8 - 106	-	0.2 – 12.0	SW 1/4"	1/4" and 3/8"
8612-050	-	0.7 - 40.6	0.9 – 55.0	SW 10	1/4" and 3/8"
8612-300	-	7 - 236	9.0 – 320.0	SW 17	3/8" and 1/2"
8612-1000	-	66 - 811	90 – 1,100	SW 36	1/2" and 3/4"
8612-3150	-	369 - 2323	500 – 3,150	□ 1 1/2"	1"

Modell-Nr.	Abmessungen		Gewicht	
	[inch]	[mm]	[lb]	[kg]
8612-012	5.91 x 4.92 x 4.96	150 x 125 x 126	≈ 6.6	3
8612-050	5.91 x 4.49 x 4.96	150 x 114 x 126		
8612-300	5.91 x 4.65 x 4.96	150 x 118 x 126		
8612-1000	10.24 x 7.11 x 6.91	260 x 180.5 x 175.6	≈ 22	10
8612-3150	12.60 x 7.99 x 7.76	320 x 203 x 197	≈ 57.3	26

Tarierung (Nullabgleich)	Automatisch, wenn Stromversorgung hergestellt ist
Messwertgeber	Torsionswelle mit DMS-Vollbrückenschaltung
Messgenauigkeit	max. ± 1 % / ± 1 Digit vom jeweiligen Messwert
Drehmomentanzeige	LC-Display
Stromversorgung	12 V DC (Gleichstrom)
Temperaturbereich	+ 18° bis + 28°C Umgebungstemperatur
Verbindungseinstellung	RS232, 9600 Baud, keine Parität, 8 Datenbits, 1 Stoppbit, keine Fluss-Steuerung

Inhoudsopgave

1. Belangrijke veiligheidsinformatie	84
1.1 Veiligheidsaanwijzingen en waarschuwingen voor materiële schade	84
GEVAAR VAN OVERBELASTING	85
GEVAAR VAN BOUTEN VERKEERD VASTDRAAIEN	85
EXPLOSIE- EN BRANDGEVAAR	86
TOEGELATEN MILIEUVOORWAARDEN	86
GEVAAR DOOR ELEKTRISCHE STROOM	86
1.2 Persoonlijke beschermingsuitrusting	87
1.3 Correct gebruik	87
1.4 Gebruik	88
1.5 Werkomgeving	88
2. Productbeschrijving	89
2.1 Omvang van de levering	90
3. Het testapparaat gebruiken	90
3.1 Gebruikte begrippen	91
3.2 Installeren van het testapparaat	91
3.3 In-/uitschakelen	92
3.3.1 Inschakelen	93
3.3.2 Uitschakelen	93
3.4 Het testapparaat tarreren	93
3.5 Omschakeling van meeteenheden	94
3.6 RS232-interface en pc-aansluiting	95
3.7 Test een momentsleutel met een testapparaat	95
3.8 Elektronische overbelastingsaanwijzing	98
4. Onderhoud	99
4.1 Test van de kalibratie	99
4.2 Verzorging en onderhoud	101
5. Accessoires	101
6. Milieuvriendelijke afvalverwerking	101
7. Fabrikant	101
8. Technische gegevens	102

1. Belangrijke veiligheidsinformatie



Voordat u het testapparaat gebruikt, moet u de handleiding lezen en de inhoud hebben begrepen. Verkeerd gebruik kan ZWARE VERWONDINGEN of DODELIJKE ONGELUKKEN veroorzaken.

De handleiding is een bestanddeel van het testapparaat. Bewaar de handleiding op een veilige plek voor toekomstig gebruik en overhandig deze aan toekomstige gebruikers van het testapparaat.



Het testapparaat mag uitsluitend door OPGELEIDE GEBRUIKERS worden gebruikt, die zijn opgeleid voor het veilige gebruik van het testapparaat. Het gebruik zonder de vereiste opleiding kan ZWARE VERWONDINGEN of DODELIJKE ONGELUKKEN veroorzaken.

Vergewis u ervan dat u vóór het eerste gebruik van het testapparaat de handleiding hebt gelezen en begrepen. De handleiding MOET op elk moment voor de gebruikers toegankelijk zijn.

1.1 Veiligheidsaanwijzingen en waarschuwingen voor materiële schade

De waarschuwingaanwijzingen in deze handleiding zijn voor beter begrip op de volgende wijze onderverdeeld:

WAARSCHUWING

Verwijzing naar een gevaarlijke situatie die, indien niet vermeden, zware verwondingen of een dodelijk ongeval kan veroorzaken.

VOORZICHTIG

Verwijzing naar een gevaarlijke situatie die, indien niet vermeden, mogelijkermiddele of lichte verwondingen kan veroorzaken.

ATTENTIE

Verwijzing naar een gevaarlijke situatie die, indien niet vermeden, mogelijkermiddele materiële schade of beschadiging van de momentsleutel kan veroorzaken.



Dit is een waarschuwingsteken. Het wordt gebruikt als waarschuwing voor mogelijk verwondingsgevaar. Volg alle veiligheidswaarschuwingen van dit waarschuwingsteken op om mogelijke verwondingen of dodelijke ongevallen te vermijden. Dit symbool is geïntegreerd in de aanwijzingen "Waarschuwing" en "Voorzichtig".

⚠ WAARSCHUWING

GEVAAR VAN OVERBELASTING

Het testapparaat kan bij gebruik worden overbelast en kan daardoor breken. Dit kan mogelijk ZWARE VERWONDINGEN of DODELIJKE ONGELUKKEN veroorzaken.

Gebruik **UITSLUITEND** originele accessoires. Bij het gebruik van accessoires die niet door de fabrikant zijn goedgekeurd, bestaat eveneens het gevaar dat deze bij belasting niet standhouden.

Controleer het testapparaat **VÓÓR ELK** gebruik op beschadigingen.

Gebruik het testapparaat **NOOIT** nadat deze is gevallen, tegen een ander voorwerp is geslagen of er voorwerpen op zijn gevallen.

⚠ WAARSCHUWING

GEVAAR VAN BOUTEN VERKEERD VASTDRAAIEN

Een niet gekalibreerd testapparaat kan schroefverbindingen, de momentsleutel en accessoires laten breken. Dit kan mogelijk ZWARE VERWONDINGEN of DODELIJKE ONGELUKKEN veroorzaken.

Gebruik **UITSLUITEND** geteste en gekalibreerde testapparaten, zie hoofdstuk 4.1. Gebruik **UITSLUITEND** geteste draaimomenttestapparaten.

⚠ WAARSCHUWING**EXPLOSIE- EN BRANDGEVAAR**

Bij het gebruik van het testapparaat kunnen vonken ontstaan die een explosie of brand kunnen veroorzaken en mogelijk tot ZWARE VERWONDINGEN of DODELIJKE ONGELUKKEN kunnen leiden.

Gebruik een testapparaat NOOIT in omgevingen waar vonken explosies of brand kunnen veroorzaken.

⚠ WAARSCHUWING**TOEGELATEN MILIEUVOORWAARDEN**

Wanneer het testapparaat bij temperaturen onder 18 °C of boven 28 °C, of bij een luchtvochtigheid hoger dan 90% wordt ingezet, kan een foutieve meting het gevolg zijn.

Controleer het testapparaat ALTIJD met een goedgekeurd draaimoment-meetapparatuur voordat u het in zeer extreme weersomstandigheden gebruikt.

⚠ WAARSCHUWING**GEVAAR DOOR ELEKTRISCHE STROOM**

Gebruik een testapparaat NOOIT in omgevingen met hoge elektromagnetische of ioniserende straling.

Gebruik het testapparaat NOOIT in de open lucht of in vochtige ruimtes.

Raak de stroomadapter of stekkerverbindingen NOOIT aan met natte handen.

Sluit UITSLUITEND de stroomadapter op de stroomvoorziening aan wanneer de aangegeven spanning en frequentie van de adapter met die van de stroomvoorziening overeenkomen.

Gebruik het testapparaat UITSLUITEND met de meegeleverde stroomadapter.

Sluit UITSLUITEND onbeschadigde stroomadapters en stroomkabels aan op het testapparaat.

Bedek NOOIT aangesloten stroomadapters.

1.2 Persoonlijke beschermingsuitrusting



Draag ALTIJD persoonlijke beschermingsuitrusting bij het gebruik van het testapparaat. Het testapparaat of de momentsleutel kan breken of wegglijden. Dit kan mogelijkwerwijze ZWARE VERWONDINGEN of DODELIJKE ONGELUKKEN veroorzaken:



Draag tijdens het gebruik van het testapparaat ALTIJD EEN VEILIGHEIDSBRIL (ANSI//SEA Z87.1-2010) ter bescherming tegen geprojecteerde delen.

- DEELTJES kunnen bij het werken met het testapparaat worden geprojecteerd. Dit kan mogelijkwerwijze ZWARE VERWONDINGEN of DODELIJKE ONGELUKKEN veroorzaken.



Draag ALTIJD VEILIGHEIDSHANDSCHOENEN bij het gebruik van het testapparaat.

- Het testapparaat of de momentsleutel kan breken of wegglijden. Dit kan ZWARE VERWONDINGEN aan vingers of handen veroorzaken.



Draag ALTIJD VEILIGHEIDSSCHOENEN met anti-slip zolen en stalen punten (ASTM F2413-05) bij het gebruik van het testapparaat.

- Vallende delen kunnen ZWARE VERWONDINGEN aan voeten en tenen veroorzaken.

1.3 Correct gebruik



Het testapparaat is ontwikkeld voor de controle van rechtsom aandraaiende momentsleutels.

- Gebruik het testapparaat UITSLUITEND voor deze toepassing.
- Elk ander gebruik kan mogelijkwerwijze ZWARE VERWONDINGEN of DODELIJKE ONGELUKKEN veroorzaken.
- Laat kinderen NOOIT het testapparaat gebruiken.

1.4 Gebruik

WAARSCHUWING

Misbruik kan ZWARE VERWONDINGEN of DODELIJKE ONGELUKKEN veroorzaken.

Volg de volgende veiligheidsvoorzorgsmaatregelen om verwondingen en materiële schade door misbruik of onvakkundige omgang met het testapparaat te vermijden:

- Controleer vóór gebruik **ALTIJD** het testapparaat, vooral de opname, de behuizing en de accessoires op zichtbare beschadigingen.
- Gebruik **NOOIT** een beschadigd testapparaat.
- Gebruik **NOOIT** een testapparaat en accessoires waaraan veranderingen waarneembaar zijn.
- Verander testapparaten en accessoires **NOOIT**.
- Gebruik het testapparaat **ALTIJD** in de aangegeven draairichting. Let daarbij op de draairichtingspijl.
- Gebruik **ALTIJD** normconforme of door de fabrikant goedgekeurde accessoires.
- Transporteer het testapparaat **ALTIJD** in de stootveilige verpakking.

1.5 Werkomgeving

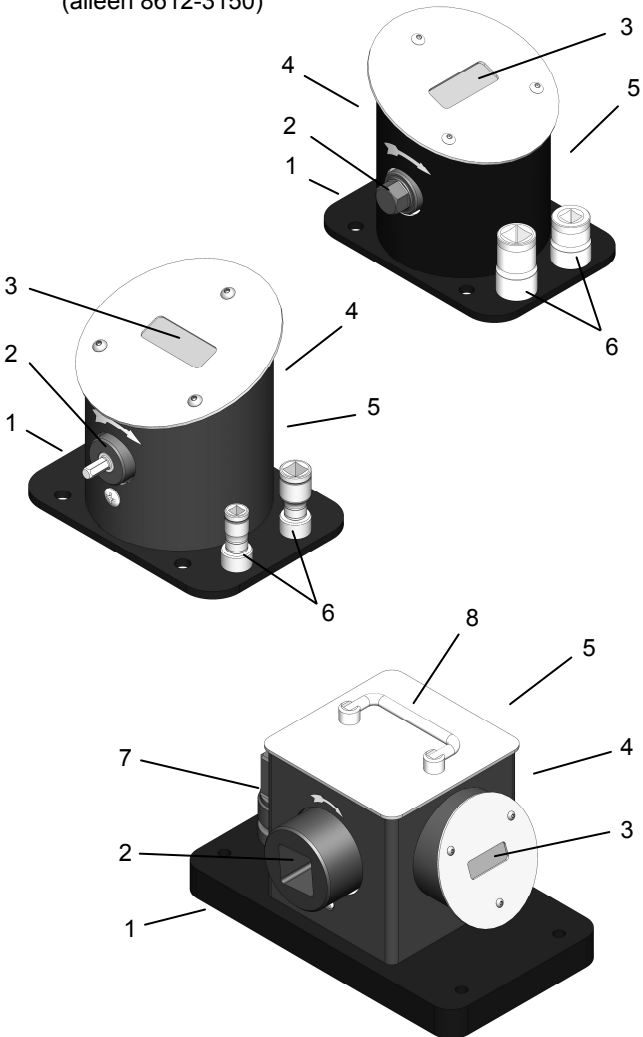


Gebruik het testapparaat **ALTIJD** in een veilige werkomgeving.

- De werkplek moet schoon en opgeruimd zijn.
- De werkplek moet over voldoende ruimte beschikken en afgeschermd zijn
- Gebruik het testapparaat **NOOIT** in omgevingen met een hoge stofconcentratie.
- Gebruik het testapparaat **NOOIT** in omgevingen met hoge elektromagnetische of ioniserende straling.

2. Productbeschrijving

1. Grondplaat
2. Aandrijving
3. Display
4. Stekkeraansluiting/spanningsvoorziening
5. RS232-interface
6. Dopsleutelinzetstukken
7. Verloopstuk
8. Transporthandgreep
(alleen 8612-3150)



2.1 Omvang van de levering

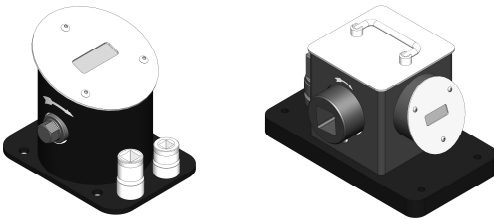
- Elektronisch testapparaat
- Stroomadapter
- 100 - 240 V; 50 - 60 Hz; max. 500 mA (let op het typeplaatje!)
- 2 dopsleutelinzetstukken (1x verloopstuk voor 8612-3150) (SW en aandrijving volgens bouwmaat)
- Handleiding
- Testcertificaat
- Transportverpakking
- RS232-kabel

3. Het testapparaat gebruiken

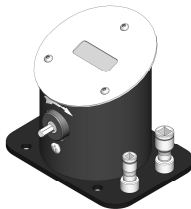


Lees **ALTIJD** de belangrijke veiligheidsinformatie (hoofdstuk 1) **VOORDAT** u het testapparaat gebruikt.

De handleiding beschrijft het gebruik van de volgende productvarianten:



- Testapparaat met zijdelingse buitenzeskant- of binnenvierkantopname



- Testapparaat met frontale buitenzeskantopname

Het testproces wordt schematisch met behulp van een testapparaat met zijdelingse opname (buitenzeskant) voor de momentsleutel weergegeven. De werkstappen voor het testproces van de momentsleutel met frontale opname zijn identiek. De draairichting is duidelijk herkenbaar aangegeven op de behuizing.

3.1 Gebruikte begrippen

- Tarreren:** Op nul zetten, het draaimoment wordt op "0" gezet.
- First Peak:** Knikpuntherkenning (het losdraaimoment van de momentsleutel wordt weergegeven).
- Kalibratie:** Controle van de meetnauwkeurigheid.
- Momentsleutel:** Aandraaiende momentsleutel volgens DIN EN ISO 6789 type II.

3.2 Installeren van het testapparaat

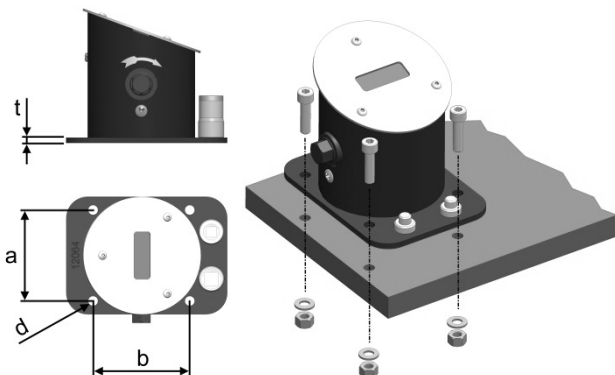
⚠ WAARSCHUWING

Gebruik het testapparaat **UITSLUITEND** op een stabiele ondergrond en bevestigd met geschikte bevestigingsmiddelen. Let er **ALTIJD** op dat de ondergrond door het gebruik van het testapparaat niet kan kantelen.

Gebruik het testapparaat **NOOIT** in de open lucht of in vochtige ruimtes.

Voor bevestiging aan de ondergrond raden wij het gebruik aan van geschikte zeskant- of cilinderkopschroeven (4 stuks), grootte M8, van minimale bevestigingsklasse 8.8 (M10 met minimale bevestigingsklasse 8.8 voor 8612-3150), met geschikte onderlegplaatjes en moeren.

Plaats het apparaat **ALTIJD** zodanig dat er geen letselplekken tussen testapparaat, momentsleutel en ondergrond ontstaan.



Modelnr.	a		b	
	[inch]	[mm]	[inch]	[mm]
8612-012	3.35	85	3.55	90
8612-050	3.35	85	3.55	90
8612-300	3.35	85	3.55	90
8612-1000	4.52	115	6.89	175
8612-3150	4.52	115	11.02	280

Modelnr.	d		t	
	[inch]	[mm]	[inch]	[mm]
8612-012	0.35	9	0.20	5
8612-050	0.35	9	0.20	5
8612-300	0.35	9	0.20	5
8612-1000	0.35	9	0.40	10
8612-3150	0.43	11	1.18	30

3.3 In-/uitschakelen

⚠ WAARSCHUWING

Verwijder **ALTIJD** alle accessoires, momentsleutels en overige onderdelen van de opname voordat u het testapparaat inschakelt. Het niet opvolgen van deze aanwijzing kan foutieve schroefverbindingen en mogelijk **ZWARE VERWONDINGEN** of **DODELIJKE ONGELUKKEN** veroorzaken.

⚠ WAARSCHUWING

GEVAAR DOOR ELEKTRISCHE STROOM

Gebruik een testapparaat **NOOIT** in omgevingen met hoge elektromagnetische of ioniserende straling.

Gebruik het testapparaat **NOOIT** in de open lucht of in vochtige ruimtes.

Raak de stroomadapter of stekkerbindingen **NOOIT** aan met natte handen.

Sluit **UITSLUITEND** de stroomadapter op de stroomvoorziening aan wanneer de aangegeven spanning en frequentie van de adapter met die van de stroomvoorziening overeenkomen.

Gebruik het testapparaat **UITSLUITEND** met de meegeleverde stroomadapter.

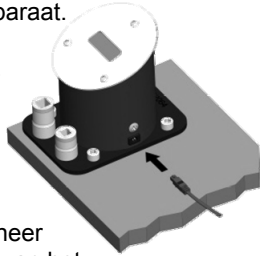
Sluit **UITSLUITEND** onbeschadigde stroomadapters en stroomkabels aan op het testapparaat.

Bedek **NOOIT** aangesloten stroomadapters.

3.3.1 Inschakelen

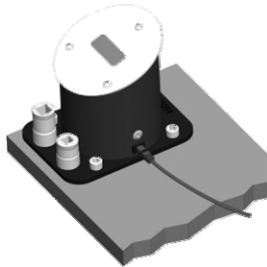
Sluit de aansluitkabel van de stroomadapter aan op het testapparaat. Steek nu de stekker van de stroomadapter in het stopcontact.

Het testapparaat wordt automatisch ingeschakeld. De functie tarreren wordt automatisch uitgevoerd. Het apparaat is bedrijfsklaar wanneer de waarde " 0 0 0 0 " (afhankelijk van het model met decimale punt) wordt weergegeven.



3.3.2 Uitschakelen

Om het testapparaat uit te schakelen, trekt u eerst de kabelstekker uit het stopcontact. Vervolgens kunt u de verbinding van de aansluitkabel met het testapparaat ontkoppelen.



3.4 Het testapparaat tarreren

Na het inschakelen van het testapparaat wordt " 0 0 0 0 " op het display weergegeven. Toont het testapparaat in onbelaste toestand een andere waarde dan moet het tarreren opnieuw worden uitgevoerd. Trek hiervoor de stekker uit het stopcontact en steek deze pas na 5 seconden opnieuw in het stopcontact. Het automatisch tarreren wordt opnieuw gestart.

3.5 Omschakeling van meeteenheden

ATTENTIE

Op het testapparaat kunt u overschakelen tussen de eenheden „N·m“ en „lbf·ft“ („lbf·in“ bij 8612-012).

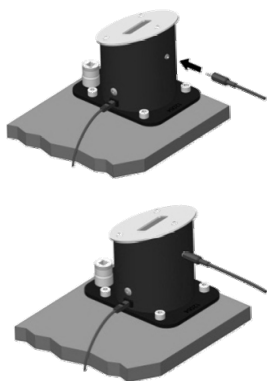
Na het inschakelen van het testapparaat wordt de actuele eenheid door een balk op het display naast de gedrukte eenheid weergegeven.

Door gedurende 2 seconden het minimale linksom-draaimoment (zie de onderstaande tabel) toe te passen kunt u tussen eenheden omschakelen. De balk in het display wisselt dan naar de plek van de gedrukte alternatieve eenheid op de apparaatdeksel.

Min. Linksom-draaimoment		
Modelnr.	[lbf·ft]	[N·m]
8612-012	> 13.3	> 1.5
8612-050	> 3.7	> 5
8612-300	> 11.1	> 15
8612-1000	> 18.5	> 25
8612-3150	> 110.6	> 150

3.6 RS232-interface en pc-aansluiting

U kunt het testapparaat aan de RS232-interface van een pc aansluiten. Daardoor kunt u de testwaarden overdragen naar de pc. Gebruik voor de verbinding de meegeleverde verbindingkabel (9-pol. sub-D bus/3,5 mm 3-pol. contactstekker). Gebruik voor de communicatie met het testapparaat een voor uw besturingssysteem en hardware geschikt aansluitprogramma. De interface van het proefapparaat is altijd actief en kan niet worden uitgeschakeld.



Raadpleeg de verbindinginstellingen onder 8. Technische gegevens.

Uitvoer in standaard ASCII-formaat. Uitvoervoorbeeld:

```

***                GEDORE                ***
DREMOTEST-E 8612-050 SNR. 99999
SCHLUESSEL-/Wrench-No. : _____
No.                MESSWERT/Value
001 ----- 02.68 N.m
002 ----- 01.02 N.m
003 ----- 01.44 N.m
    
```

De afdruk van de koptekst en de meetwaarden begint opnieuw bij de aansluiting op de stroomvoorziening.

3.7 Test een momentsleutel met een testapparaat

⚠ WAARSCHUWING

GEVAAR VAN OVERBELASTING

Het testapparaat kan bij gebruik worden overbelast en kan daardoor breken. Dit kan mogelijkwijze ZWARE VERWONDINGEN of DODELIJKE ONGELUKKEN veroorzaken.

Gebruik UITSLUITEND originele accessoires. Bij het gebruik van accessoires die niet door de fabrikant zijn goedgekeurd bestaat eveneens het gevaar dat deze bij belasting niet standhouden.

Controleer het testapparaat VÓÓR ELK gebruik op beschadigingen.

Gebruik het testapparaat NOOIT nadat deze is gevallen, tegen een ander voorwerp is geslagen of er voorwerpen op zijn gevallen.

⚠ WAARSCHUWING

GEVAAR VAN VERKEERD AANHALEN VAN SCHROEVEN

Een niet gekalibreerd testapparaat kan schroefverbindingen, de momentsleutel en accessoires laten breken. Dit kan mogelijkwijze ZWARE VERWONDINGEN of DODELIJKE ONGELUKKEN veroorzaken.

Gebruik UITSLUITEND geteste en gekalibreerde testapparaten, zie hoofdstuk 4.1.

⚠ WAARSCHUWING

Controleer ALTIJD de correcte bevestiging van het testapparaat voordat u het testapparaat gebruikt.

Vergewis u ervan dat u ALTIJD de voorgeschreven eenheid gebruikt.

Gebruik het testapparaat NOOIT buiten het toegelaten bereik van draaimomenten. Het bereik van draaimomenten staat gedrukt onder het display.

Plaats ALTIJD de momentsleutel in een hoek van 90° op de opname. Gebruik NOOIT verlengstukken.

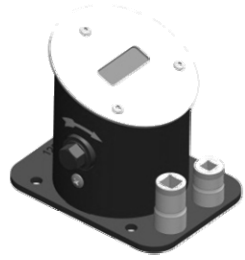
Gebruik ALTIJD door de fabrikant goedgekeurde originele accessoires.

Wanneer bij het testen onverwachts de weerstand verandert, moet u ONMIDDELIJK het testapparaat of de momentsleutel ontlasten, en het testapparaat en de momentsleutel op beschadigingen controleren.

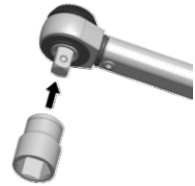
Gebruik het testapparaat ALTIJD in de aangegeven draairichting. Let daarbij op de draairichtingspijl.

Het testapparaat toont het toegepaste draaimoment totdat het draaimoment wegvalt (bijv. door uitschakeling van de momentsleutel of onderbreking van de krachtleiding). Het maximaal bereikte draaimoment, voor het wegvallen, wordt gedurende een kort moment op het display weergegeven. Vervolgens wordt opnieuw het actueel toegepaste draaimoment weergegeven.

Het testapparaat is ontwikkeld voor het controleren van rechtsondraaiende momentsleutels. De draairichting is duidelijk herkenbaar aangegeven op de behuizing.

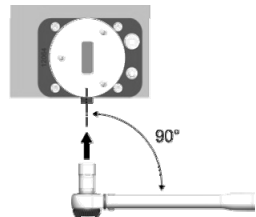


Steek het geschikte dopsleutelinzetstuk op de opname van de momentsleutel. Let bij het opsteken van dopsleutelinzetstuk op de opname van de momentsleutel op het ineensluiten van de vangelementen. Controleer de veilige bevestiging door goed aan het dopsleutelinzetstuk te trekken.

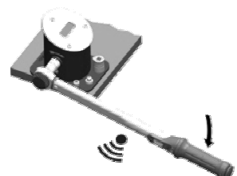
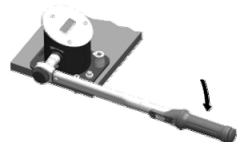


Controleer dat " 0 0 0 0 " op het display wordt weergegeven. Wijkt de weergave op het display af, ga dan verder zoals beschreven bij 3.4 Tarreren van het testapparaat.

Zet de momentsleutel met de dopsleutelinzetstuk in een hoek van 90° op de opname van het testapparaat. Gebruik de zeskantinzetstuk zo ver mogelijk op de zeskantopname.

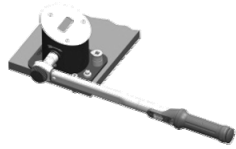


Draai de momentsleutel aan het handvat langzaam en gelijkmatig in de richting van de pijl (let op de draairichtingspijl) totdat u een klikgeluid hoort en een lichte schok voelt.





Ontlast **ALTIJD** het testapparaat **ONMIDDELLIJK** na het toepassen van de momentsleutel. De maximale draaimomentwaarde wordt op het display weergegeven.



3.8 Elektronische overbelastingsaanwijzing

⚠ WAARSCHUWING

GEVAAR VAN BOUTEN VERKEERD VASTDRAAIEN

Een niet gekalibreerd testapparaat kan schroefverbindingen, de momentsleutel en accessoires laten breken. Het niet opvolgen van deze aanwijzing kan foutieve schroefverbindingen en mogelijk **ZWARE VERWONDINGEN** of **DODELIJKE ONGELUKKEN** veroorzaken. (Hoofdstuk 4.1)

Voor model 8612-012

Bij de toepassing van een te hoog draaimoment (>13 Nm) activeert het elektronische testapparaat een permanente signaaltoon.

Ontlast onmiddellijk het elektronische testapparaat. Aan de boven- en onderrand van het display verschijnen horizontale strepen.

Koppel het elektronische testapparaat los van de stroomvoorziening om de signaaltoon uit te schakelen.

ATTENTIE

Om u ervan te vergewissen dat de torsie-as niet door de overbelasting is beschadigd, moet u het testapparaat laten controleren (kalibreren).

Neem hiervoor contact op met onze service:

www.gedore.com

4. Onderhoud

4.1 Test van de kalibratie

⚠ WAARSCHUWING

GEVAAR VAN BOUTEN VERKEERD VASTDRAAIEN

Een niet gekalibreerd testapparaat kan schroefverbindingen, de momentsleutel en accessoires laten breken. Het niet opvolgen van deze aanwijzing kan foutieve schroefverbindingen en mogelijkere wijze ZWARE VERWONDINGEN of DODELIJKE ONGELUKKEN veroorzaken.

Gebruik **UITSLUITEND** geteste en gekalibreerde testapparaten.

Bij het gebruik van het testapparaat werken grote krachten. Bij niet geteste of niet-onderhouden testapparaten bestaat het gevaar dat de belastingen bezwijken of foutieve vastdraaimomenten worden weergegeven. Volg **ALTIJD** de volgende veiligheidsaanwijzingen om ZWARE VERWONDINGEN en DODELIJKE ONGELUKKEN te vermijden:

- Gebruik **NOOIT** een defect testapparaat.
- Laat het testapparaat **ALTIJD** regelmatig kalibreren.

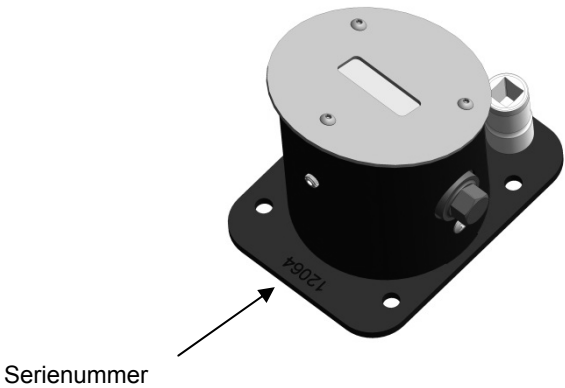
Als algemene regel geldt een kalibratie-interval van elke 12 maanden. Daarnaast kunnen bedrijven voor gevoelig momentgereedschap eigen voorschriften of kwaliteitsvereisten en daarmee kortere kalibratie-intervallen aanhouden.

ATTENTIE

Verzuim **NOOIT** om de eerstvolgende kalibratie van het testapparaat op tijd uit te voeren. Onvakkundige kalibraties kunnen tot beschadiging van het testapparaat leiden.

De kalibratie mag **UITSLUITEND** door erkend vakpersoneel, volgens een gecertificeerd kalibratielaboratorium of de fabrikant, worden uitgevoerd.

Elk nieuw testapparaat is voorzien van een kalibratiecertificaat. Het testapparaat en het kalibratiecertificaat zijn gekenmerkt door een identiek serienummer.



4.2 Verzorging en onderhoud

ATTENTIE

De onvakkundige omgang kan tot beschadiging van het testapparaat leiden. Let **ALTIJD** op de volgende aanwijzingen om beschadigingen te vermijden:

Gebruik **NOOIT** reinigingsmiddelen om het testapparaat te reinigen. Deze middelen kunnen de mechanische onderdelen of elektronica vernietigen.

Reinig alle onderdelen na gebruik **UITSLUITEND** met een droge en schone poetsdoek.

Dompel het testapparaat **NOOIT** onder in water.

Om het testapparaat tegen corrosie te beschermen, moet u het testapparaat na gebruik in de verpakking bewaren.

Bewaar het verpakte testapparaat op een droge en schone plek.

5. Accessoires

De fabrikant biedt in het accessoireprogramma een groot aantal componenten voor andere toepassingsgebieden en die het werken nog efficiënter en effectiever maken.

6. Milieuvriendelijke afvalverwerking

Bij de afvalverwerking van het testapparaat moeten accessoires en verpakkingsmateriaal volgens de wettelijke voorschriften worden verwerkt.

7. Fabrikant

GEDORE TorqueTech GmbH
Rathausstraße 22
42659 Solingen · GERMANY

Tel.: 0049 (0)1804 373668
Fax: 0049 212 888 100

Internet: www.gedore.com

8. Technische gegevens

De volgende gegevens dienen ter oriëntatie. Op grond van de constante verdere ontwikkeling van het product kunnen er afwijkingen ontstaan.

Model-nr.	[lbf·in]	[lbf·ft]	[N·m]	Op-name	Adapter
8612-012	1.8 - 106	-	0.2 – 12.0	SW 1/4"	1/4" en 3/8"
8612-050	-	0.7 - 40.6	0.9 – 55.0	SW 10	1/4" en 3/8"
8612-300	-	7 - 236	9.0 – 320.0	SW 17	3/8" en 1/2"
8612-1000	-	66 - 811	90 – 1,100	SW 36	1/2" en 3/4"
8612-3150	-	369 - 2323	500 – 3,150	□ 1 1/2"	1"

Model nr.	Afmetingen		Gewicht	
	[inch]	[mm]	[lb]	[kg]
8612-012	5.91 x 4.92 x 4.96	150 x 125 x 126	≈ 6.6	3
8612-050	5.91 x 4.49 x 4.96	150 x 114 x 126		
8612-300	5.91 x 4.65 x 4.96	150 x 118 x 126		
8612-1000	10.24 x 7.11 x 6.91	260 x 180.5 x 175.6	≈ 22	10
8612-3150	12.60 x 7.99 x 7.76	320 x 203 x 197	≈ 57.3	26

Tarreren (op nul zetten)	Automatisch na verbinding met de stroomvoorziening
Meetwaarde-indicator	Torsie-as met DMS-volledige brugschakeling
Meetnauwkeurigheid	max. ± 1 % / ± 1 digit van de desbetreffende meetwaarde
Draaimomentweergave	LCD-display
Voeding	12 V DC (gelijkstroom)
Temperatuurbereik	+ 18° tot + 28°C omgevingstemperatuur
Verbindingsinstelling	RS232, 9600 Baud, geen pariteit, 8 databits, 1 stopbit, geen fluxbesturing

Sommario

1. Informazioni importanti sulla sicurezza	104
1.1 Segnalazioni di sicurezza e avvertenze per la prevenzione di danni materiali	104
RISCHIO DI SOVRACCARICO	105
RISCHIO DI SERRAGGIO DIFETTOSO DELLE VITI	105
RISCHIO DI ESPLOSIONE E INCENDIO	106
CONDIZIONI AMBIENTALI CONSENTITE	106
PERICOLO DOVUTO ALLA PRESENZA DELLA CORRENTE ELETTRICA	106
1.2 Dispositivi di protezione individuale	107
1.3 Uso conforme	107
1.4 Manipolazione	108
1.5 Ambiente di lavoro	108
2. Descrizione del prodotto	109
2.1 Entità della fornitura	110
3. Uso dello strumento di prova	110
3.1 Termini utilizzati	111
3.2 Installazione dello strumento di prova	111
3.3 Accensione/spegnimento	112
3.3.1 Accensione	113
3.3.2 Spegnimento	113
3.4 Taratura dello strumento di prova	114
3.5 Commutazione delle unità di misura	114
3.6 Interfaccia RS232 e collegamento al PC	115
3.7 Controllare l'utensile dinamometrico con lo strumento di prova.	115
3.8 Avvertenza elettronica di sovraccarico	118
4. Manutenzione	118
4.1 Controllo della calibrazione	118
4.2 Cura e conservazione	120
5. Accessori	120
6. Smaltimento ecologico	120
7. Produttore	120
8. Dati tecnici	121

1. Informazioni importanti sulla sicurezza



Leggere e comprendere le presenti istruzioni per l'uso prima di impiegare lo strumento di prova. L'utilizzo errato può provocare LESIONI GRAVI o la MORTE.

Le presenti istruzioni per l'uso costituiscono parte integrante dello strumento di prova, devono essere conservate in un luogo sicuro per la successiva consultazione e fornite agli utenti, che impiegheranno in seguito lo strumento di prova.



Lo strumento di prova dovrebbe essere impiegato soltanto da PERSONALE ADDESTRATO, che è stato istruito al suo utilizzo sicuro. L'utilizzo senza un adeguato addestramento può provocare LESIONI GRAVI o la MORTE.

Accertarsi che queste istruzioni per l'uso siano state lette e comprese prima di iniziare a utilizzare lo strumento di prova. Le istruzioni per l'uso DEVONO essere sempre disponibili per l'utente.

1.1 Segnalazioni di sicurezza e avvertenze per la prevenzione di danni materiali

Ai fini di una migliore differenziazione, nelle presenti istruzioni per l'uso le segnalazioni di avvertenza sono classificate come segue.

⚠ AVVERTENZA

Indica una situazione di pericolo che, se non evitata, potrebbe comportare la morte o lesioni gravi.

⚠ ATTENZIONE

Indica una situazione di pericolo che, se non evitata, potrebbe comportare lesioni moderate o di ridotta entità.

AVVISO

Indica una situazione di pericolo che, se non evitata, potrebbe comportare danni materiali o danneggiamenti all'utensile dinamometrico.



Questo è un simbolo di avvertenza e viene utilizzato per avvisare del possibile rischio di lesioni. Osservare tutte le segnalazioni di sicurezza che seguono questo simbolo, allo scopo di evitare eventuali lesioni o la morte. Considerare che questo simbolo è integrato nelle segnalazioni di avvertenza e attenzione.

AVVERTENZA

RISCHIO DI SOVRACCARICO

Lo strumento di prova può sovraccaricarsi durante l'utilizzo e rompersi, provocando eventualmente **LESIONI GRAVI** o la **MORTE**.

Utilizzare **SOLO** accessori originali. Se si utilizzano accessori che non sono stati autorizzati dal produttore, esiste analogamente il rischio che l'utensile non resista ai carichi.

Ispezionare lo strumento di prova prima di **OGNI** uso per individuare eventuali danneggiamenti.

Non utilizzare **MAI** lo strumento di prova se è caduto, è stato impiegato per colpire altri oggetti o è stato a sua volta colpito dalla caduta di uno di essi.

AVVERTENZA

RISCHIO DI SERRAGGIO DIFETTOSO DELLE VITI

Uno strumento di prova non calibrato può causare la rottura dei raccordi a vite, dell'utensile dinamometrico e degli accessori, provocando eventualmente **LESIONI GRAVI** o la **MORTE**.

Utilizzare **SOLO** strumenti di prova calibrati e testati, vedere Capitolo 4.1.

⚠ AVVERTENZA**RISCHIO DI ESPLOSIONE E INCENDIO**

L'utilizzo dello strumento di prova può produrre scintille che, a loro volta, possono provocare un'esplosione o un incendio con la conseguenza di possibili LESIONI GRAVI o della MORTE.

Non utilizzare MAI lo strumento di prova in zone in cui le scintille possono provocare esplosioni o incendi.

⚠ AVVERTENZA**CONDIZIONI AMBIENTALI CONSENTITE**

Se lo strumento di prova è esposto a temperature inferiori a 18°C o superiori a 28°C o a un'umidità dell'aria superiore al 90%, ne può conseguire una misurazione non corretta.

Controllare SEMPRE lo strumento di prova prima dell'uso in condizioni climatiche estreme, servendosi di un'attrezzatura di misurazione omologata.

⚠ AVVERTENZA**PERICOLO DOVUTO ALLA PRESENZA DELLA
CORRENTE ELETTRICA**

Non utilizzare MAI lo strumento di prova in zone ad elevata irradiazione elettromagnetica o ionizzante.

Non usare MAI lo strumento di prova all'aperto o in ambienti umidi.

Non toccare MAI l'alimentatore o i connettori con le mani bagnate.

Collegare l'alimentatore alla rete elettrica SOLTANTO se la tensione indicata per l'alimentatore e la frequenza dello stesso coincidono con la tensione e la frequenza della rete elettrica.

Utilizzare lo strumento di prova SOLTANTO con l'alimentatore in dotazione.

Collegare allo strumento di prova SOLTANTO alimentatori e cavi di alimentazione non danneggiati.

Non coprire MAI alimentatori collegati.

1.2 Dispositivi di protezione individuale



Indossare SEMPRE i dispositivi di protezione individuale quando si impiega lo strumento di prova, in quanto lo strumento di prova o l'utensile dinamometrico può rompersi o scivolare durante l'utilizzo, provocando eventualmente LESIONI GRAVI o la MORTE:



Quando si impiega lo strumento di prova, indossare SEMPRE una PROTEZIONE DEGLI OCCHI (*ANSI//SEA Z87.1-2010*) per proteggersi dall'impatto con oggetti volanti.

- Durante il lavoro con lo strumento di prova si possono lanciare in aria PARTICELLE, provocando eventualmente LESIONI GRAVI o la MORTE.



Indossare SEMPRE GUANTI DI SICUREZZA quando si impiega lo strumento di prova.

- Lo strumento di prova o l'utensile dinamometrico può rompersi o scivolare durante l'utilizzo, provocando LESIONI GRAVI alle dita e alle mani.



Quando si impiega lo strumento di prova, indossare SEMPRE SCARPE DI SICUREZZA con soles antiscivolo e puntali in acciaio (*ASTM F2413-05*).

- La caduta di componenti può provocare LESIONI GRAVI ai piedi e alle loro dita.

1.3 Uso conforme



Lo strumento di prova è stato progettato per il controllo di utensili dinamometrici a scatto con serraggio destro.

- Utilizzare lo strumento di prova SOLO per questo scopo.
- Qualsiasi utilizzo diverso potrebbe provocare LESIONI GRAVI o la MORTE
- Non permettere MAI ai bambini di utilizzare lo strumento di prova.

1.4 Manipolazione

AVVERTENZA

L'utilizzo errato può determinare LESIONI GRAVI o la MORTE.

Adottare le seguenti precauzioni di sicurezza per prevenire lesioni e danni materiali conseguenti alla manipolazione impropria, o all'utilizzo non sicuro dello strumento di prova:

- Ispezionare SEMPRE lo strumento di prova prima dell'uso, in particolare l'attacco, il corpo e gli accessori per individuare danneggiamenti visibili.
- Non utilizzare MAI uno strumento di prova danneggiato.
- Non utilizzare MAI uno strumento di prova e accessori che presentino modifiche.
- Non modificare MAI uno strumento di prova e gli accessori.
- Utilizzare lo strumento di prova SEMPRE nel senso di rotazione indicato, facendo attenzione all'apposita freccia.
- Impiegare SEMPRE accessori a norma o autorizzati dal produttore
- Trasportare lo strumento di prova SEMPRE nella custodia antiurto.

1.5 Ambiente di lavoro

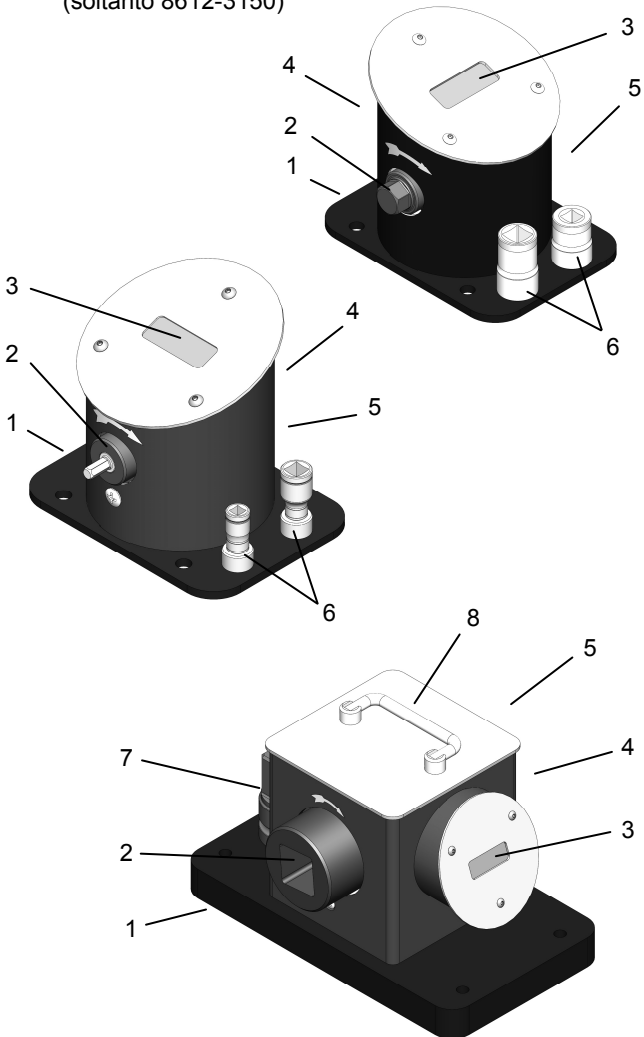


Utilizzare SEMPRE lo strumento di prova in un ambiente di lavoro sicuro.

- Mantenere l'area di lavoro pulita e in ordine.
- L'area di lavoro deve essere sufficientemente spaziosa e protetta.
- Non utilizzare MAI lo strumento di prova in un'area di lavoro ad alta concentrazione di polvere.
- Non utilizzare MAI lo strumento di prova in un'area di lavoro ad elevata irradiazione elettromagnetica o ionizzante.

2. Descrizione del prodotto

1. Piastra base
2. Azionamento
3. Display
4. Connettore/alimentazione di tensione
5. Interfaccia RS232
6. Chiave a bussola
7. Bussola di maggiorazione
8. Maniglia per il trasporto (solo 8612-3150)



2.1 Entità della fornitura

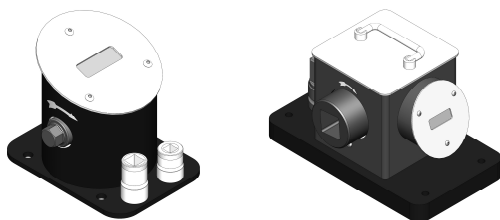
- Strumento elettronico di prova
- Alimentatore
- 100 - 240 V; 50 - 60 Hz; max. 500 mA (osservare la targhetta portadati!)
- 2 chiavi a bussola
(1x bussola di maggiorazione per 8612-3150)
(Apertura chiave e azionamento in base alla dimensione)
- Istruzioni per l'uso
- Rapporto di prova
- Imballaggio per spedizione
- Cavo RS232

3. Uso dello strumento di prova

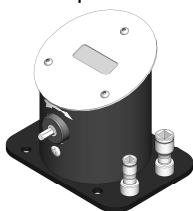


Leggere SEMPRE le informazioni importanti sulla sicurezza (Capitolo 1) PRIMA di utilizzare lo strumento di prova.

Le istruzioni per l'uso descrivono l'impiego delle seguenti varianti di prodotto:



- Strumento di prova con attacco laterale esterno esagonale o interno quadro



- Strumento di prova con attacco frontale esterno esagonale

Il procedimento di prova è rappresentato schematicamente in base a uno strumento di prova con attacco laterale (esagono esterno) per l'utensile dinamometrico. Le fasi operative nel procedimento di prova con attacco frontale per l'utensile dinamometrico non sono differenti tra di loro. Il senso di rotazione è segnato in modo chiaramente riconoscibile sul corpo.

3.1 Termini utilizzati

Taratura:	taratura a zero, la coppia viene impostata su «0».
First Peak:	identificazione punto di rottura (viene visualizzata la coppia di scatto dell'utensile dinamometrico).
Calibrazione:	controllo della precisione della misurazione.
Utensile dinamometrico:	chiave dinamometrica a scatto secondo la DIN EN ISO 6789 tipo II.

3.2 Installazione dello strumento di prova

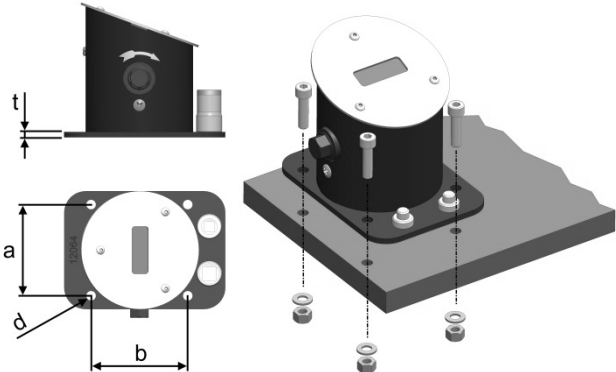
⚠ AVVERTENZA

Non usare MAI lo strumento di prova se non é fissato con adeguati mezzi di fissaggio a un supporto stabile. Fare sempre attenzione che il supporto non si ribalti durante l'utilizzo dello strumento di prova.

Non usare MAI lo strumento di prova all'aperto o in ambienti umidi.

Per il fissaggio a un supporto adeguato raccomandiamo di utilizzare viti esagonali o viti a testa cilindrica (4) M8, con classe di resistenza minima 8.8, (M10 con classe di resistenza minima 8.8 per 8612-3150), con adeguate rosette e dadi.

Posizionare lo strumento di prova SEMPRE in modo che tra lo stesso, l'utensile dinamometrico e il supporto non si formino punti di schiacciamento.



Modello n.	a		b	
	[pollici]	[mm]	[pollici]	[mm]
8612-012	3.35	85	3.55	90
8612-050	3.35	85	3.55	90
8612-300	3.35	85	3.55	90
8612-1000	4.52	115	6.89	175
8612-3150	4.52	115	11.02	280

Modello n.	d		t	
	[pollici]	[mm]	[pollici]	[mm]
8612-012	0.35	9	0.20	5
8612-050	0.35	9	0.20	5
8612-300	0.35	9	0.20	5
8612-1000	0.35	9	0.40	10
8612-3150	0.43	11	1.18	30

3.3 Accensione/spegnimento

⚠ AVVERTENZA

Prima di accendere lo strumento di prova, togliere SEMPRE tutti gli accessori, gli utensili dinamometrici e i pezzi vari dall'attacco. Se non si osserva quanto sopra, si possono verificare raccordi a vite difettosi e provocare eventualmente LESIONI GRAVI o la MORTE.

⚠ AVVERTENZA**PERICOLO DOVUTO ALLA PRESENZA DELLA
CORRENTE ELETTRICA**

Non utilizzare MAI lo strumento di prova in zone ad elevata irradiazione elettromagnetica o ionizzante.

Non usare MAI lo strumento di prova all'aperto o in ambienti umidi.

Non toccare MAI l'alimentatore o i connettori con le mani bagnate.

Collegare l'alimentatore alla rete elettrica **SOLTANTO** se la tensione indicata per l'alimentatore e la frequenza dello stesso coincidono con la tensione e la frequenza della rete elettrica.

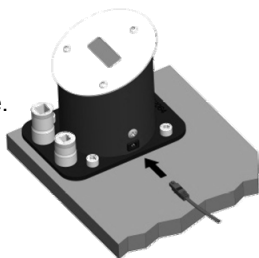
Utilizzare lo strumento di prova **SOLTANTO** con l'alimentatore in dotazione.

Collegare allo strumento di prova **SOLTANTO** alimentatori e cavi di alimentazione non danneggiati.

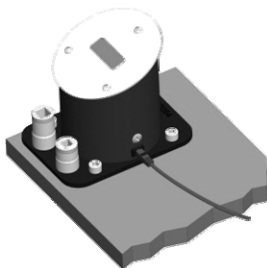
Non coprire MAI alimentatori collegati.

3.3.1 Accensione

Allacciare il cavo di collegamento dell'alimentatore allo strumento di prova. A questo punto inserire l'alimentatore nella presa di corrente. A questo punto lo strumento di prova si accende automaticamente. Viene eseguita la taratura automatica. Lo strumento è pronto all'uso quando visualizza il valore « 0 0 0 0 » (a seconda del modello con il punto decimale).

**3.3.2 Spegnimento**

Per spegnere lo strumento di prova, estrarre innanzitutto la spina. A questo punto è possibile staccare il cavo di collegamento dallo strumento di prova.



3.4 Taratura dello strumento di prova

Dopo l'accensione dello strumento di prova, sul display viene visualizzato « 0 0 0 0 ». Se lo strumento di prova dovesse indicare un altro valore quando è senza carico occorre rifare la taratura. A tale scopo estrarre la spina e reinserirla dopo aver fatto passare almeno 5 secondi. La taratura automatica riparte.

3.5 Commutazione delle unità di misura

AVVISO

Sullo strumento di prova si può commutare tra le unità di misura «N·m» e «lbf·ft» («lbf·in» per 8612-012).

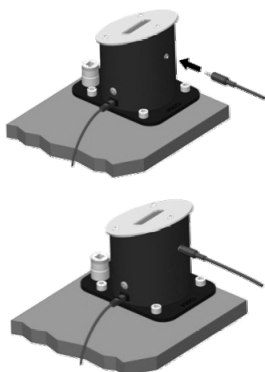
Dopo aver acceso lo strumento di prova, l'unità di misura attuale viene indicata sul display con una barra accanto all'unità di misura stampata.

Con una coppia sinistra minima (v. tabella seguente) di almeno 2 secondi si può commutare l'unità di misura. La barra sul display si sposta quindi sul punto dell'unità di misura alternativa stampata sul coperchio dello strumento.

Coppia sinistra minima		
Modello n.	[lbf·ft]	[N·m]
8612-012	> 13.3	> 1.5
8612-050	> 3.7	> 5
8612-300	> 11.1	> 15
8612-1000	> 18.5	> 25
8612-3150	> 110.6	> 150

3.6 Interfaccia RS232 e collegamento al PC

È possibile collegare lo strumento di prova all'interfaccia RS232 di un PC. Ciò consente di trasferire i valori di prova al PC. Per eseguire il collegamento utilizzare l'apposito cavo in dotazione (presa Sub-D a 9 poli / spina a jack 3,5 mm a 3 poli). Per la comunicazione con lo strumento di prova usare un programma per terminali adatto al vostro sistema operativo e al vostro hardware. L'interfaccia nello strumento di prova è sempre attiva e non si può disattivare.



Per quanto riguarda le impostazioni per il collegamento vedere 8 Dati tecnici.

Output nel formato Standard ASCII. Esempio di output:

```

***                GEDORE                ***
DREMOTEST-E 8612-050 SNR. 99999
SCHLUESSEL-/Wrench-No. : _____
No.                MESSWERT/Value
001 ----- 02.68 N.m
002 ----- 01.02 N.m
003 ----- 01.44 N.m

```

La stampa della testata e il conteggio della misurazione iniziano inserendo nuovamente l'alimentazione elettrica.

3.7 Controllare l'utensile dinamometrico con lo strumento di prova

⚠ AVVERTENZA

RISCHIO DI SOVRACCARICO

Lo strumento di prova può sovraccaricarsi durante l'utilizzo e rompersi, provocando eventualmente LESIONI GRAVI o la MORTE.

Utilizzare SOLO accessori originali. Se si utilizzano accessori che non sono stati autorizzati dal produttore, esiste analogamente il rischio che lo strumento non resista ai carichi.

Ispezionare lo strumento di prova prima di OGNI uso per individuare eventuali danneggiamenti.

Non utilizzare MAI lo strumento di prova se è caduto, è stato impiegato per colpire altri oggetti o è stato a sua volta colpito dalla caduta di uno di essi.

▲ AVVERTENZA

RISCHIO DI SERRAGGIO DIFETTOSO DELLE VITI

Uno strumento di prova non calibrato può generare la rottura dei raccordi a vite, dell'utensile dinamometrico e degli accessori, provocando eventualmente LESIONI GRAVI o la MORTE.

Utilizzare SOLO strumenti di prova calibrati e testati, vedere Capitolo 4.1.

▲ AVVERTENZA

Prima di usare lo strumento di prova, controllare SEMPRE che sia fissato correttamente.

Accertarsi di utilizzare SEMPRE l'unità di misura prescritta.

Non impostare mai lo strumento di prova al di fuori della gamma di coppia ammessa. La gamma di coppia ammessa è stampata sotto il display.

Applicare l'utensile dinamometrico SEMPRE sul supporto mantenendo un angolo di 90°.

Non utilizzare MAI prolunghe.

Utilizzare SEMPRE accessori originali autorizzati dal produttore.

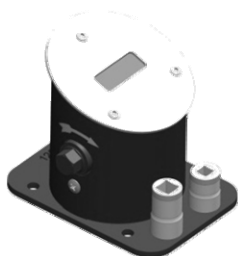
Se si avverte una variazione improvvisa nella resistenza durante la prova, scaricare SUBITO lo strumento di prova o l'utensile dinamometrico e ispezionare sia lo strumento di prova che l'utensile dinamometrico per individuare eventuali danneggiamenti.

Utilizzare lo strumento di prova SEMPRE nel senso di rotazione indicato, facendo attenzione all'apposita freccia.

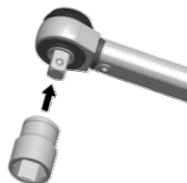
Lo strumento di prova indica sempre la coppia che è presente fino al momento in cui la coppia scende (ad es. con lo scatto dell'utensile dinamometrico o interrompendo l'applicazione della forza).

La coppia massima raggiunta prima che scendesse viene riprodotta brevemente sul display. Successivamente viene di nuovo visualizzata la coppia presente al momento.

Lo strumento di prova è stato progettato per il controllo dell'utensile dinamometrico a scatto con serraggio destro. Il senso di rotazione è segnato in modo chiaramente riconoscibile sul corpo.

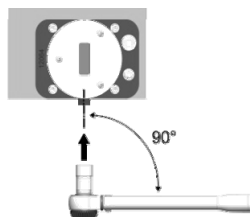


Inserire la chiave a bussola giusta sull'attacco dell'utensile dinamometrico. Quando s'innesta la chiave a bussola sull'attacco dell'utensile dinamometrico, accertarsi che gli elementi di presa scattino in posizione. Verificare che la giunzione sia ben salda tirando per bene la chiave a bussola.

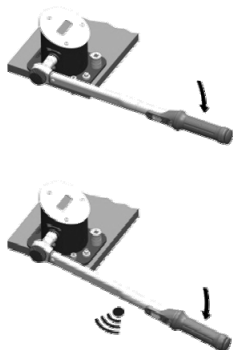


Controllare che sul display figuri « 0 0 0 0 ». Se quanto visualizzato sul display si dovesse scostare da tale valore, procedere come descritto al punto 3.4 Taratura dello strumento di prova.

Applicare l'utensile dinamometrico con la chiave a bussola sull'attacco dello strumento di prova mantenendo un angolo di 90°. Fare entrare la chiave a bussola quanto più possibile nell'attacco esagonale.

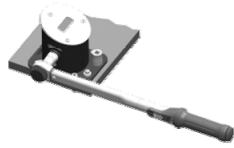


Ruotare l'utensile dinamometrico lentamente e uniformemente agendo sull'impugnatura nella direzione della freccia (facendo attenzione al senso indicato), finché non viene emesso il segnale acustico « clic » e non si avverte un leggero scatto.





Scaricare SEMPRE lo strumento di prova SUBITO dopo lo scatto dell'utensile dinamometrico. Sul display viene visualizzato il valore di coppia massimo.



3.8 Avvertenza elettronica di sovraccarico

⚠ AVVERTENZA

RISCHIO DI SERRAGGIO DIFETTOSO DELLE VITI

Uno strumento di prova non calibrato può generare la rottura dei raccordi a vite, dell'utensile dinamometrico e degli accessori. Se non si osserva quanto sopra, si possono verificare raccordi a vite difettosi e provocare eventualmente LESIONI GRAVI o la MORTE. (Capitolo 4.1)

Per il modello 8612-012

Quando iniziano coppie troppo elevate (>13 Nm) lo strumento di prova elettronico emette un segnale acustico permanente.

Ridurre immediatamente il carico dallo strumento di prova elettronico. Nella parte superiore e inferiore del display compaiono dei trattini orizzontali.

Staccare lo strumento di prova elettronico dalla corrente per spegnere il segnale acustico.

AVVISO

Per essere sicuri che il sovraccarico non abbia danneggiato l'albero di torsione, fare controllare (calibrare) lo strumento di prova.

Rivolgersi, in merito, alla nostra assistenza: www.gedore.com

4. Manutenzione

4.1 Controllo della calibrazione

⚠ AVVERTENZA

RISCHIO DI SERRAGGIO DIFETTOSO DELLE VITI

Uno strumento di prova non calibrato può generare la rottura dei raccordi a vite, dell'utensile dinamometrico e degli accessori.

Se non si osserva quanto sopra, si possono verificare raccordi a vite difettosi e provocare eventualmente **LESIONI GRAVI** o la **MORTE**.

Utilizzare **SOLO** strumenti di prova testati e calibrati.

Durante l'utilizzo dello strumento di prova agiscono grosse forze. Se gli strumenti di prova non sono testati né sottoposti a manutenzione, esiste il rischio che non resistano ai carichi o che siano visualizzate coppie di serraggio errate.

Attenersi **SEMPRE** alle seguenti segnalazioni di sicurezza per evitare **LESIONI GRAVI** e la **MORTE**:

- Non utilizzare **MAI** uno strumento di prova difettoso.
- Far eseguire **SEMPRE** la calibrazione dello strumento di prova a intervalli regolari.

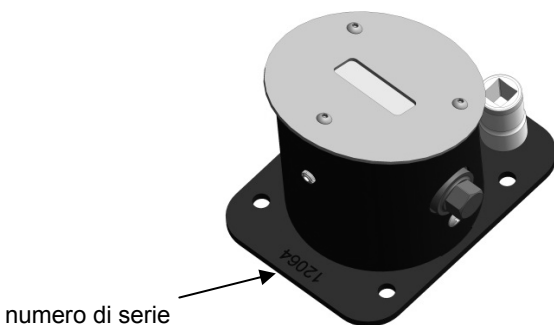
Come requisito minimo si raccomanda un intervallo di calibrazione di una volta ogni 12 mesi. Inoltre, utensili dinamometrici sensibili, norme interne o i requisiti qualitativi di un'azienda possono ridurre notevolmente gli intervalli di calibrazione.

AVVISO

Non trascurare **MAI** la ricalibrazione dello strumento di prova. Una calibrazione impropria può determinare danni allo strumento stesso.

La calibrazione può essere eseguita **SOLO** da personale tecnico autorizzato, da un laboratorio accreditato o dal produttore.

Ogni strumento di prova nuovo è accompagnato da un certificato di calibrazione. Lo strumento di prova e il certificato di calibrazione sono contrassegnati dallo stesso numero di serie.



4.2 Cura e conservazione

AVVISO

La manipolazione impropria può determinare danneggiamenti allo strumento di prova. Attenersi SEMPRE alle seguenti indicazioni per evitare danneggiamenti:

Non utilizzare MAI detergenti per pulire lo strumento di prova. Essi possono provocare la distruzione delle parti meccaniche o elettroniche.

Dopo ogni utilizzo, pulire tutte le parti SOLO con un panno pulito e asciutto.

Non immergere MAI lo strumento di prova in acqua.

Per proteggere lo strumento di prova dalla corrosione, riporlo nell'imballo dopo l'uso.

Conservare lo strumento di prova all'interno dell'imballo in un luogo pulito e asciutto.

5. Accessori

Il produttore propone una linea di accessori con vari componenti, che consentono l'applicazione dell'utensile in altri campi e che rendono il lavoro ancora più efficace ed efficiente.

6. Smaltimento ecologico

Smaltire lo strumento di prova, gli accessori e il materiale d'imballaggio nel rispetto delle disposizioni di legge applicabili.

7. Produttore

GEDORE TorqueTech GmbH
Rathausstraße 22
42659 Solingen · GERMANY

Tel.: 0049 (0)1804 373668
Fax.: 0049 212 888 100

Internet: www.gedore.com

8. Dati tecnici

I seguenti dati fungono da orientamento. Il costante perfezionamento del prodotto può dare origine a differenze.

Modello n.	[lbf·in]	[lbf·ft]	[N·m]	Attacco	Adattatore
8612-012	1.8 - 106	-	0.2 - 12.0	Apertura chiave 1/4"	1/4" e 3/8"
8612-050	-	0.7 - 40.6	0.9 - 55.0	Apertura chiave 10	1/4" e 3/8"
8612-300	-	7 - 236	9.0 - 320.0	Apertura chiave 17	3/8" e 1/2"
8612-1000	-	66 - 811	90 - 1,100	Apertura chiave 36	1/2" e 3/4"
8612-3150	-	369 - 2323	500 - 3,150	□ 1½"	1"

Modello n.	Misure		Peso	
	[pollici]	[mm]	[lb]	[kg]
8612-012	5.91 x 4.92 x 4.96	150 x 125 x 126	≈ 6.6	3
8612-050	5.91 x 4.49 x 4.96	150 x 114 x 126		
8612-300	5.91 x 4.65 x 4.96	150 x 118 x 126		
8612-1000	10.24 x 7.11 x 6.91	260 x 180.5 x 175.6	≈ 22	10
8612-3150	12.60 x 7.99 x 7.76	320 x 203 x 197	≈ 57.3	26

Taratura (taratura a zero)	Automatica, in presenza di alimentazione elettrica
Trasduttore di misurazione	Albero di torsione con circuito a ponte intero DMS
Precisione della misurazione	max. ± 1 % / ± 1 digit del rispettivo valore di misura
Visualizzazione coppia	Display LC
Alimentazione elettrica	12 V DC (corrente continua)
Campo di temperatura	+ 18° - + 28°C temperatura ambiente
Impostazione collegamento	RS232, 9600 baud, nessuna parità, 8 bit di dati, 1 bit di stop, nessun controllo del flusso

Spis treści

1. Ważne informacje dotyczące bezpieczeństwa	123
1.1 Instrukcje bezpieczeństwa i ostrzeżenia przed szkodami w mieniu	123
RYZYO PRZECIĄŻENIA	124
RYZYO PRZYŁOŻENIA BŁĘDNEGO MOMENTU DOKRĘCENIA	124
ZAGROŻENIE WYBUCEM I POŻAREM	125
DOPUSZCZALNE WARUNKI OTOCZENIA	125
NIEBEZPIECZEŃSTWO PORAŻENIA PRĄDEM ELEKTRYCZNYM	125
1.2 Środki ochrony osobistej	126
1.3 Zastosowanie zgodnie z przeznaczeniem	126
1.4 Zasady użytkowania	127
1.5 Warunki pracy	127
2. Opis produktu	128
2.1 Zawartość dostawy	129
3. Obsługa przyrządu kontrolnego	129
3.1 Stosowane pojęcia	130
3.2 Ustawianie przyrządu kontrolnego	130
3.3 Włączanie i wyłączanie	131
3.3.1 Włączanie	132
3.3.2 Wyłączanie	132
3.4 Tarowanie przyrządu kontrolnego	133
3.5 Przesławianie jednostek miary	133
3.6 Złącze RS232 i połączenie z komputerem	133
3.7 Badanie klucza dynamometrycznego za pomocą przyrządu kontrolnego	134
3.8 Elektroniczna wskazówka przeciążenia	137
4. Konserwacja	138
4.1 Kontrola kalibracji	138
4.2 Czyszczenie i przechowywanie	139
5. Akcesoria	140
6. Ekologiczna utylizacja	140
7. Producent	140
8. Dane techniczne	141

1. Ważne informacje dotyczące bezpieczeństwa



Przed użyciem przyrządu kontrolnego należy ze zrozumieniem przeczytać instrukcję obsługi. Niepoprawne użycie grozi CIĘŻKIMI OBRAŻENIAMI CIAŁA i ŚMIERCIA.

Instrukcja obsługi stanowi część składową przyrządu kontrolnego. Należy ją przechowywać w bezpiecznym miejscu, aby móc z niej zawsze skorzystać, oraz przekazać ewentualnemu następnemu użytkownikowi przyrządu kontrolnego.



Przyrządem kontrolnym mogą się posługiwać wyłącznie PRZESZKOLENI UŻYTKOWNICY, którzy zostali zapoznani z bezpiecznym obchodzeniem się z nim. Użycie przez osobę nieprzeszkoloną grozi CIĘŻKIMI OBRAŻENIAMI CIAŁA i ŚMIERCIA.

Każda osoba używająca przyrządu kontrolnego po raz pierwszy musi najpierw przeczytać instrukcję obsługi i zrozumieć ją. Instrukcja obsługi MUSI być przez cały czas do dyspozycji użytkownika.

1.1 Instrukcje bezpieczeństwa i ostrzeżenia przed szkodami w mieniu

Wskazówki ostrzegawcze w niniejszej instrukcji obsługi zostały podzielone na następujące kategorie, tak aby łatwiej je było rozróżnić:

⚠ OSTRZEŻENIE

Ostrzeżenie przed niebezpieczną sytuacją, która może być przyczyną śmierci lub ciężkich obrażeń ciała, jeśli się jej nie zapobiegnie.

⚠ PRZESTROGA

Ostrzeżenie przed niebezpieczną sytuacją, która może być przyczyną średnich lub lekkich obrażeń ciała, jeśli się jej nie zapobiegnie.

UWAGA

Ostrzeżenie przed niebezpieczną sytuacją, która może być przyczyną szkód w mieniu lub uszkodzenia klucza dynamometrycznego, jeśli się jej nie zapobiegnie.



To jest znak ostrzegawczy. Służy on do tego, aby ostrzec przed potencjalnym niebezpieczeństwem odniesienia obrażeń ciała. Wszelkie instrukcje bezpieczeństwa znajdujące się po tym symbolu muszą być bezwzględnie przestrzegane, aby wyeliminować ryzyko obrażeń ciała lub śmierci. Należy pamiętać, że ten symbol zintegrowany jest z instrukcjami „Ostrzeżenie” i „Przestroga”.

▲OSTRZEŻENIE

RYZYSKO PRZECIĄŻENIA

Podczas użytkowania przyrząd kontrolny może zostać poddany zbyt dużemu obciążeniu i złamać się. Stanowi to potencjalne zagrożenie CIĘŻKIMI OBRAŻENIAMI CIAŁA i ŚMIERCIA.

Używać WYŁĄCZNIE oryginalnych akcesoriów. Użytkowanie akcesoriów niezatwierdzonych przez producenta stwarza także ryzyko, że nie wytrzymają one obciążeń.

Za KAŻDYM razem PRZED użyciem przyrządu kontrolnego należy go dokładnie skontrolować pod kątem uszkodzeń.

NIGDY nie posługiwać się przyrządem kontrolnym po tym, jak upadł, uderzył o inne przedmioty albo spadł na niego inne przedmioty.

▲OSTRZEŻENIE

RYZYSKO PRZYŁOŻENIA BŁĘDNEGO MOMENTU DOKRĘCENIA

Używanie nieskalibrowanego przyrządu kontrolnego może spowodować pęknięcie połączeń śrubowych i samego przyrządu kontrolnego oraz jego akcesoriów. Stanowi to potencjalne zagrożenie CIĘŻKIMI OBRAŻENIAMI CIAŁA i ŚMIERCIA.

Należy stosować WYŁĄCZNIE atestowane i skalibrowane przyrządy kontrolne, patrz rozdział 4.1.

▲OSTRZEŻENIE**ZAGROŻENIE WYBUCEM I POŻAREM**

Posługiwaniu się przyrządem kontrolnym mogą towarzyszyć iskry, mogące wywołać wybuch lub pożar, powodując **CIEŻKIE OBRAŻENIA CIAŁA** lub **ŚMIERĆ**.

Przyrządu kontrolnego **NIGDY** nie wolno używać w miejscach, gdzie iskry mogłyby wywołać wybuch lub pożar.

▲OSTRZEŻENIE**DOPUSZCZALNE WARUNKI OTOCZENIA**

Jeśli przyrząd kontrolny używany jest w temperaturze poniżej 18°C lub powyżej 28°C albo przy wilgotności powietrza powyżej 90%, uzyskany pomiar może być błędny.

Przed użyciem przyrządu kontrolnego w ekstremalnych warunkach klimatycznych należy go **ZAWSZE** skontrolować za pomocą atestowanego sprzętu do pomiaru momentu obrotowego.

▲OSTRZEŻENIE**NIEBEZPIECZEŃSTWO PORAŻENIA PRĄDEM ELEKTRYCZNYM**

Nie stosować **NIGDY** przyrządu kontrolnego w miejscach, gdzie występuje silne promieniowanie elektromagnetyczne lub jonizacyjne.

Nie posługiwać się **NIGDY** przyrządem kontrolnym na wolnym powietrzu lub w pomieszczeniach wilgotnych.

Nie dotykać **NIGDY** zasilacza ani gniazda zasilania mokrymi dłońmi.

Podłączać zasilacz **WYŁĄCZNIE** do sieci elektrycznej, której napięcie i częstotliwość są zbieżne z podanym napięciem i częstotliwością zasilacza.

Używać przyrządu kontrolnego **WYŁĄCZNIE** wraz z otrzymanym wraz z nim zasilaczem.

Do przyrządu kontrolnego podłączać **WYŁĄCZNIE** nieuszkodzone zasilacze i przewody.

NIGDY nie przykrywać podłączonych zasilaczy.

1.2 Środki ochrony osobistej



Posługując się przyrządem kontrolnym, ZAWSZE stosować środki ochrony osobistej. Przyrząd kontrolny lub klucz dynamometryczny może się złamać lub wyslizgnąć z dłoni. Stanowi to potencjalne zagrożenie CIĘŻKIMI OBRAŻENIAMI CIAŁA a nawet ŚMIERCIĄ.



Posługując się przyrządem kontrolnym, należy ZAWSZE stosować OCHRONĘ OCZU (ANSI/ISEA Z87.1-2010), aby chronić oczy przed rozpryskami.

- Podczas posługiwania się przyrządem kontrolnym ODŁAMKI mogą być wystrzeliwane z dużą siłą. Stanowi to potencjalne zagrożenie CIĘŻKIMI OBRAŻENIAMI CIAŁA i ŚMIERCIĄ.



Posługując się przyrządem kontrolnym, należy ZAWSZE zakładać RĘKAWICE OCHRONNE.

- Przyrząd kontrolny lub klucz dynamometryczny może się złamać lub wyslizgnąć z dłoni. Stanowi to potencjalne zagrożenie CIĘŻKIMI OBRAŻENIAMI palców i dłoni.



Posługując się przyrządem kontrolnym, należy ZAWSZE zakładać OBUWIE OCHRONNE z podeszwą antypoślizgową i stalowym noskiem (ASTM F2413-05).

- Odpadające elementy mogą spowodować CIĘŻKIE OBRAŻENIA stóp i palców. Poniższe dane służą jedynie ogólnej orientacji. Wskutek ciągłego rozwoju produktu mogą występować pewne rozbieżności.

1.3 Zastosowanie zgodnie z przeznaczeniem



Przyrząd kontrolny jest przeznaczony do badania kluczy dynamometrycznych ze zwalnianiem o działaniu prawostronnym.

- Należy go używać WYŁĄCZNIE do tego celu.
- Jakikolwiek inne użycie stanowi potencjalne zagrożenie CIĘŻKIMI OBRAŻENIAMI CIAŁA i ŚMIERCIĄ.
- Nie wolno NIGDY pozwalać dzieciom posługiwać się przyrządem kontrolnym.

1.4 Zasady użytkowania

⚠ OSTRZEŻENIE

Niewłaściwe użytkowanie grozi CIĘŻKIMI OBRAŻENIAMI CIAŁA a nawet ŚMIERCIA. Aby zapobiec obrażeniom ciała i szkodom w mieniu wskutek niewłaściwego lub niepewnego użytkowania przyrządu kontrolnego, należy przestrzegać następujących środków ostrożności.

- Przed użyciem ZAWSZE sprawdzić, czy przyrząd kontrolny, zwłaszcza chwyt i obudowa, a także akcesoria, nie są uszkodzone.
- NIGDY nie używać uszkodzonego przyrządu kontrolnego.
- NIGDY nie używać przyrządu kontrolnego i akcesoriów z widocznymi przeróbkami.
- NIGDY nie przerabiać przyrządu kontrolnego i akcesoriów.
- ZAWSZE obracać przyrząd kontrolny zgodnie z wyznaczonym kierunkiem obrotów. Zwrócić uwagę na strzałkę kierunku obrotów.
- Stosować WYŁĄCZNIE akcesoria zgodne z normami lub dopuszczone przez producenta.
- ZAWSZE transportować przyrząd kontrolny w opakowaniu chroniącym przed uderzeniami.

1.5 Warunki pracy

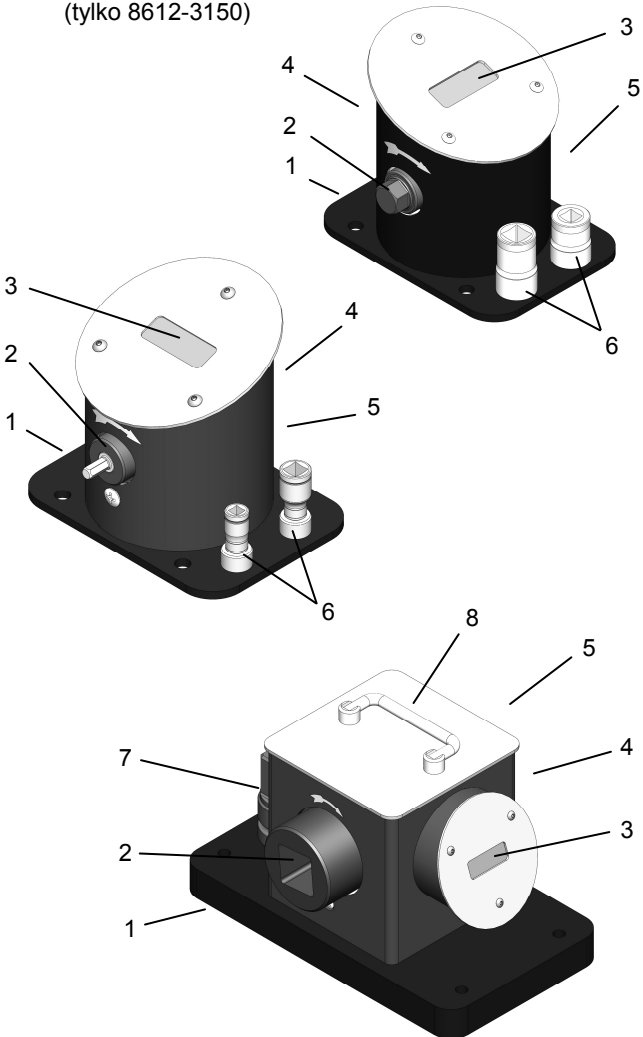


Przyrządem kontrolnym wolno posługiwać się WYŁĄCZNIE w bezpiecznych warunkach.

- W miejscu pracy musi panować czystość i porządek.
- Obszar roboczy musi być wystarczająco duży i dobrze zabezpieczony.
- Nie używać NIGDY przyrządu kontrolnego w miejscach, gdzie występuje wysokie stężenie pyłu.
- Nie stosować NIGDY przyrządu kontrolnego w miejscach, gdzie występuje silne promieniowanie elektromagnetyczne lub jonizacyjne.

2. Opis produktu

1. Płyta oporowa
2. Napęd
3. Wyświetlacz
4. Gniazdo zasilania
5. Złącze RS232
6. Wkładka klucza nasadowego
7. Przedłużka
8. Uchwyt transportowy
(tylko 8612-3150)



2.1 Zawartość dostawy

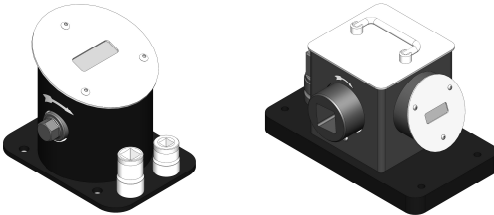
- Elektroniczny przyrząd kontrolny
- Zasilacz
- 100–240 V; 50–60 Hz; maks. 500 mA (uwaga na tabliczkę znamionową!)
- 2 wkładki klucza nasadowego
- (1x przedłużka do 8612-3150) (rozwartość i napęd stosownie do rozmiaru)
- Instrukcja obsługi
- Świadectwo badania
- Opakowanie na przesyłkę
- Kabel RS232

3. Obsługa przyrządu kontrolnego

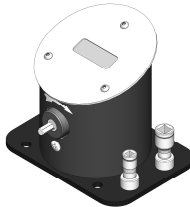


PRZED użyciem przyrządu kontrolnego należy ZAWSZE zapoznać się z ważnymi informacjami dotyczącymi bezpieczeństwa (rozdział 1).

W instrukcji obsługi opisano sposób korzystania z następujących wersji produktu:



- Przyrząd kontrolny z bocznym zewnętrznym sześciokątem lub wewnętrznym czworokątem



- Przyrząd kontrolny z przednim zewnętrznym sześciokątem

Proces badania przedstawiono schematycznie na przykładzie przyrządu kontrolnego z bocznym chwytem (zewnętrznym sześciokątem) na klucz dynamometryczny. Przebieg procesu badania za pomocą przedniego chwytu na klucz dynamometryczny jest identyczny. Kierunek obrotów zaznaczono w sposób wyraźny na obudowie.

3.1 Stosowane pojęcia

Tarowanie: Wyzerowanie, czyli ustawienie wartości 0 momentu obrotowego.

Pierwszy szczyt: Rozpoznanie punktu przełamania (wyświetlany jest moment zwolnienia klucza dynamometrycznego).

Kalibrowanie: Badanie dokładności pomiaru.

Klucz

dynamometryczny: Klucz dynamometryczny ze zwalnianiem zgodny z normą DIN EN ISO 6789 typ II.

3.2 Ustawianie przyrządu kontrolnego

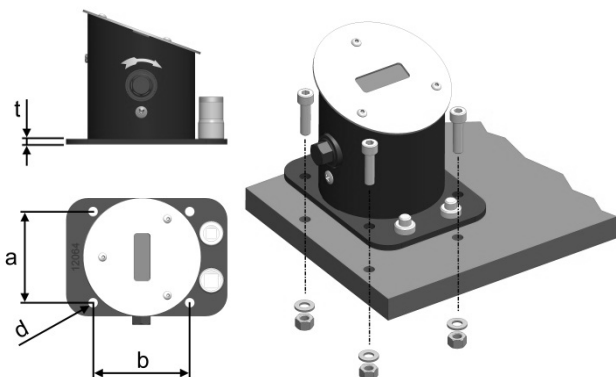
▲ OSTRZEŻENIE

Nie posługiwać się NIGDY przyrządem kontrolnym, który nie jest przytwierdzony do stabilnej podpory za pomocą stosownych przyrządów mocujących. Uważać ZAWSZE, aby użycie przyrządu kontrolnego nie spowodowało przewrócenia się podpory.

Nie posługiwać się NIGDY przyrządem kontrolnym na wolnym powietrzu lub w pomieszczeniach wilgotnych.

Zalecamy przymocowanie do odpowiedniej podpory za pomocą śrub z łbem sześciokątnym lub walcowym (4 sztuki) o wielkości M8 i klasie wytrzymałości 8.8 (M10 o klasie wytrzymałości 8.8 w przypadku modelu 8612-3150) oraz pasujących do nich podkładek i nakrętek.

Ustawiać przyrząd kontrolny ZAWSZE tak, aby między przyrządem, kluczem dynamometrycznym a podporą nigdzie nie było miejsca, w którym można by przytrzasnąć palce.



Nr modelu	a		b	
	[cale]	[mm]	[cale]	[mm]
8612-012	3,35	85	3,55	90
8612-050	3,35	85	3,55	90
8612-300	3,35	85	3,55	90
8612-1000	4,52	115	6,89	175
8612-3150	4,52	115	11,02	280

Nr modelu	d		t	
	[cale]	[mm]	[cale]	[mm]
8612-012	0,35	9	0,20	5
8612-050	0,35	9	0,20	5
8612-300	0,35	9	0,20	5
8612-1000	0,35	9	0,40	10
8612-3150	0,43	11	1,18	30

3.3 Włączanie i wyłączanie

⚠ OSTRZEŻENIE

Przed włączeniem przyrządu kontrolnego wyjmować **ZAWSZE** z jego chwytu wszystkie akcesoria, klucze dynamometryczne i inne elementy. Pozostawienie ich może spowodować błędne dokręcenie połączeń śrubowych stanowiące potencjalne zagrożenie **CIĘŻKIMI OBRAŻENIAMI CIAŁA I ŚMIERCIĄ**.

⚠ OSTRZEŻENIE**NIEBEZPIECZEŃSTWO PORAŻENIA PRĄDEM ELEKTRYCZNYM**

Nie stosować NIGDY przyrządu kontrolnego w miejscach, gdzie występuje silne promieniowanie elektromagnetyczne lub jonizacyjne.

Nie posługiwać się NIGDY przyrządem kontrolnym na wolnym powietrzu lub w pomieszczeniach wilgotnych.

Nie dotykać NIGDY zasilacza ani gniazda zasilania mokrymi dłońmi.

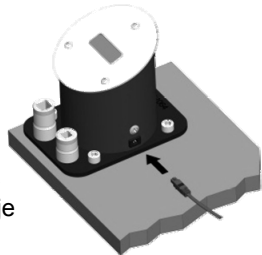
Podłączać zasilacz WYŁĄCZNIE do sieci elektrycznej, której napięcie i częstotliwość są zbliżone z podanym napięciem i częstotliwością zasilacza.
Stosować przyrząd kontrolny WYŁĄCZNIE z otrzymanym wraz z nim zasilaczem.

Podłączać do przyrządu kontrolnego WYŁĄCZNIE nieuszkodzone zasilacze i przewody.

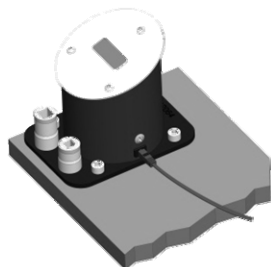
NIGDY nie przykrywać podłączonych zasilaczy.

3.3.1 Włączanie

Podłączyć kabel od zasilacza do przyrządu kontrolnego.
Włożyć zasilacz do gniazda sieci elektrycznej.
Przyrząd kontrolny zostanie automatycznie włączony.
Nastąpi automatyczne tarowanie. Przyrząd jest gotowy do pracy, gdy na wyświetlaczu znajduje się wartość " 0 0 0 0 " (w przypadku niektórych modeli z kropką dziesiątą).

**3.3.2 Wyłączenie**

W celu wyłączenia przyrządu kontrolnego należy najpierw wyciągnąć wtyczkę z gniazda sieciowego. Następnie można odłączyć kabel od przyrządu kontrolnego.



3.4 Tarowanie przyrządu kontrolnego

Po włączeniu przyrządu kontrolnego na wyświetlaczu jest wyświetlona wartość " 0 0 0 0 ". Gdyby przyrząd kontrolny w stanie bez obciążenia wskazywał inną wartość, należy go wytarować ponownie. W tym celu należy wyjąć wtyczkę z gniazda sieciowego i włożyć ją z powrotem, po odczekaniu przynajmniej 5 sekund. Automatyczne tarowanie zostanie przeprowadzone ponownie.

3.5 Przystawianie jednostek miary

UWAGA

W przyrządzie kontrolnym można ustawić jednostki miary „N·m” i „lbf·ft” („lbf·in” w modelu 8612-012).

Po włączeniu przyrządu kontrolnego wybrane jednostki miary wskazane są poprzez kreskę na wyświetlaczu obok wybitej na obudowie nazwy jednostek miary.

Jednostki można przestawić poprzez przyłożenie minimalnego lewostronnego momentu obrotowego (zgodnie z poniższą tabelą) na przynajmniej 2 sekundy. Kreska na wyświetlaczu znajdzie się wtedy tam, gdzie na obudowie przyrządu wybita jest nazwa danych jednostek.

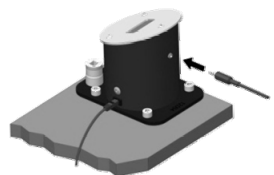
Minimalny lewostronny moment obrotowy		
Nr modelu	[lbf·ft]	[N·m]
8612-012	> 13,3	> 1,5
8612-050	> 3,7	> 5
8612-300	> 11,1	> 15
8612-1000	> 18,5	> 25
8612-3150	> 110,6	> 150

3.6 Złącze RS232 i połączenie z komputerem

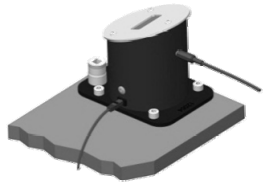
Przyrząd kontrolny można podłączyć do złącza RS232 komputera.

Umożliwia to przesyłanie wyników pomiarów do komputera.

Połączenie należy wykonać za pomocą otrzymanego w zestawie kabla (z 9-biegunowym gniazdem Sub-D oraz 3-biegunową wtyczką jack 3,5 mm).



Z przyrządem kontrolnym należy komunikować się za pomocą programu terminala przeznaczonego do danego systemu operacyjnego i komputera. Złącze w przyrządzie kontrolnym jest zawsze aktywne i nie można go wyłączyć.



Ustawienia połączenia podane są w rozdziale 8. Dane techniczne.

Dane wyjściowe są w standardowym formacie ASCII. Przykładowe dane wyjściowe:

```

***          GEDORE          ***
DREMOTEST-E 8612-050SNR.99999
SCHLUESSEL-/Wrench-No.:_____
No.          MESSWERT/Value
001 ----- 02.68 N.m
002 ----- 01.02 N.m
003 ----- 01.44 N.m

```

W momencie podłączenia zasilania zaczyna się nowy nagłówek i numeracja pomiarów.

3.7 Badanie klucza dynamometrycznego za pomocą przyrządu kontrolnego

⚠ OSTRZEŻENIE

RYZIKO PRZECIĄŻENIA

Podczas użytkowania przyrząd kontrolny może zostać poddany zbyt dużemu obciążeniu i złamać się. Stanowi to potencjalne zagrożenie CIĘŻKIMI OBRAŻENIAMI CIAŁA i ŚMIERCIA.

Używać WYŁĄCZNIE oryginalnych akcesoriów. Użytkowanie akcesoriów niezatwierdzonych przez producenta stwarza także ryzyko, że nie wytrzymają one obciążeń.

Za KAŻDYM razem PRZED użyciem przyrządu kontrolnego należy go dokładnie skontrolować pod kątem uszkodzeń.

NIGDY nie posługiwać się przyrządem kontrolnym po tym, jak upadł, uderzył o inne przedmioty albo spadły na niego inne przedmioty.

▲OSTRZEŻENIE**RYZIKO PRZYŁOŻENIA BŁĘDNEGO MOMENTU
DOKRĘCENIA**

Używanie nieskalibrowanego przyrządu kontrolnego może spowodować pęknięcie połączeń śrubowych i samego przyrządu kontrolnego oraz jego akcesoriów. Stanowi to potencjalne zagrożenie CIĘŻKIMI OBRAŻENIAMI CIAŁA i ŚMIERCIA.

Należy stosować WYŁĄCZNIE atestowane i skalibrowane przyrządy kontrolne, patrz rozdział 4.1.

▲OSTRZEŻENIE

Przed użyciem przyrządu kontrolnego ZAWSZE sprawdzać, czy jest on dobrze przymocowany.

ZAWSZE należy upewnić się, że stosuje się wymagane jednostki miary.

Nie nastawiać NIGDY przyrządu kontrolnego poza dozwolony zakres momentu obrotowego. Zakres momentu obrotowego wybity jest na obudowie poniżej wyświetlacza.

Nasadzać klucz dynamometryczny na chwyt ZAWSZE pod kątem 90°.

NIGDY nie stosować przedłużaczy.

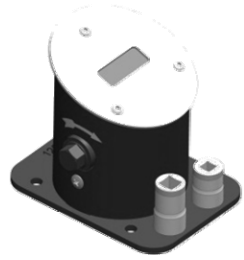
Stosować WYŁĄCZNIE oryginalne akcesoria dopuszczone przez producenta.

Jeśli podczas badania nieoczekiwanie zmieni się opór, NATYCHMIAST odciążyć przyrząd kontrolny lub klucz dynamometryczny i sprawdzić, czy przyrząd kontrolny lub klucz dynamometryczny nie uległ uszkodzeniu.

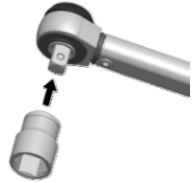
ZAWSZE obracać przyrząd kontrolny zgodnie z wyznaczonym kierunkiem obrotów. Zwrócić uwagę na strzałkę kierunku obrotów.

Przyrząd kontrolny pokazuje przyłożony moment obrotowy, dopóki nie zacznie on się zmniejszać (np. wskutek zwolnienia klucza dynamometrycznego lub przerwania dopływu energii). Maksymalny uzyskany moment obrotowy, przed spadkiem, jest na krótko ponownie wyświetlany na wyświetlaczu. Następnie jest ponownie wyświetlany moment obrotowy przykładany w danej chwili.

Przyrząd kontrolny przeznaczony jest do badania kluczy dynamometrycznych ze zwalnianiem o działaniu prawostronnym. Kierunek obrotów zaznaczono w sposób wyraźny na obudowie.

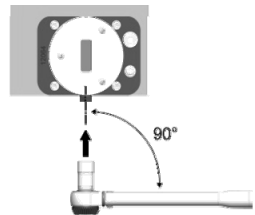


Należy pasującą wkładkę klucza nasadowego na chwyt klucza dynamometrycznego. Podczas nasadzania nasadki klucza nasadowego na chwyt klucza dynamometrycznego uważać, aby elementy zaczepowe się zazębiły. Zweryfikować skuteczność zamocowania, pociągając mocno za wkładkę klucza nasadowego.

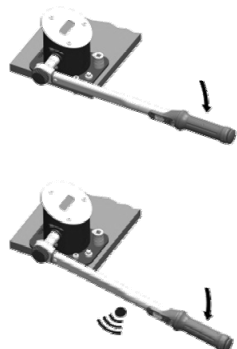


Sprawdzić, czy na wyświetlaczu podana jest wartość "0 0 0 0". Gdyby była wyświetlona jakakolwiek inna wartość, należy przeprowadzić tarowanie przyrządu w sposób opisany w punkcie 3.4.

Nasadzić klucz dynamometryczny z wkładką klucza nasadowego pod kątem 90° na chwyt w przyrządzie kontrolnym. Wsunąć sześciokątną wkładkę jak najdalej w chwyt sześciokątny.

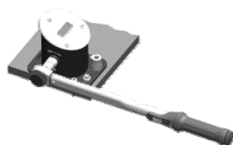


Trzymając za uchwyt, powoli i równomiernie obracać klucz dynamometryczny w kierunku wskazanym strzałką (zwrócić uwagę na strzałkę kierunku obrotów), aż do momentu, gdy rozlegnie się odgłos zatrzaśnięcia i będzie wyczuwalne lekkie szarpnięcie.





Przyrząd kontrolny odciążyc NATYCHMIAST ZAWSZE po zwolnieniu klucza dynamometrycznego. Na wyświetlaczu wyświetlany zostanie maksymalny moment obrotowy.



3.8 Elektroniczna wskazówka przeciążenia

▲OSTRZEŻENIE

RYZIKO PRZYŁOŻENIA BŁĘDNEGO MOMENTU DOKRĘCENIA

Używanie nieskalibrowanego przyrządu kontrolnego może spowodować pęknięcie połączeń śrubowych i samego przyrządu kontrolnego oraz jego akcesoriów. Pozostawienie ich może spowodować błędne dokręcenie połączeń śrubowych stanowiące potencjalne zagrożenie CIĘŻKIMI OBRAŻENIAMI CIAŁA i ŚMIERCIĄ. (Rozdział 4.1)

Dla modelu 8612-012

W przypadku zadania zbyt wysokiego momentu obrotowego (>13 Nm) elektroniczny przyrząd kontrolny emituje ciągły sygnał dźwiękowy.

Natychmiast odciążyc elektroniczny przyrząd kontrolny. Przy górnej i dolnej krawędzi wyświetlacza pojawiają się poziome kreski.

Odłączyć elektroniczny przyrząd kontrolny od źródła zasilania, aby wyłączyć sygnał dźwiękowy.

UWAGA

Aby upewnić się, że mostek tensometryczny nie został uszkodzony wskutek przeciążenia, przyrząd kontrolny należy oddać do kontroli (kalibracji).

W tym celu prosimy zwrócić się do naszego serwisu: www.gedore.com

4. Konserwacja

4.1 Kontrola kalibracji

▲OSTRZEŻENIE

RYZYKO PRZYŁOŻENIA BŁĘDNEGO MOMENTU DOKRĘCENIA

Używanie nieskalibrowanego przyrządu kontrolnego może spowodować pęknięcie połączeń śrubowych i samego przyrządu kontrolnego oraz jego akcesoriów.

Pozostawienie ich może spowodować błędne dokręcenie połączeń śrubowych stanowiące potencjalne zagrożenie **CIEŻKIMI OBRAŻENIAMI CIAŁA I ŚMIERCIĄ.**

Należy stosować **WYŁĄCZNIE** atestowane i skalibrowane przyrządy kontrolne.

Podczas posługiwania się przyrządem kontrolnym występują duże siły. Jeśli przyrząd kontrolny nie jest atestowany i skalibrowany istnieje ryzyko, że nie wytrzyma tych obciążeń lub będzie wskazywać błędny moment dokręcający. Należy **ZAWSZE** przestrzegać następujących instrukcji bezpieczeństwa, aby zapobiec **CIEŻKIM OBRAŻENIOM CIAŁA I ŚMIERCI.**

- **NIGDY** nie używać niepoprawnie działającego przyrządu kontrolnego.
- **ZAWSZE** regularnie zlecać kalibrację przyrządu kontrolnego.

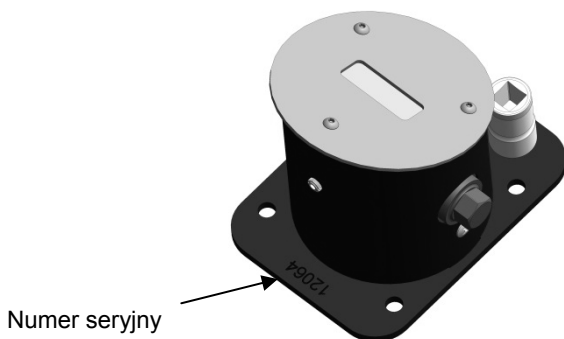
Wskazane jest, aby kalibrację przeprowadzać przynajmniej co 12 miesięcy. Ponadto w przypadku bardziej czułych kluczy dynamometrycznych, wewnętrzzakładowe regulaminy lub wymagania w zakresie jakości mogą nakazywać częstsze kalibrowanie.

UWAGA

NIGDY nie rezygnować z ponownej kalibracji przyrządu kontrolnego. Nieprawidłowa kalibracja może spowodować uszkodzenie przyrządu kontrolnego.

Kalibrację zlecać **WYŁĄCZNIE** autoryzowanemu serwisowi, akredytowanemu laboratorium kalibrującemu lub producentowi.

Do każdego nowego przyrządu kontrolnego jest dołączony certyfikat kalibracji. Na certyfikacie kalibracji podany jest ten sam numer seryjny co na przyrządzie kontrolnym.



4.2 Czyszczenie i przechowywanie

UWAGA

Nieprawidłowe postępowanie może spowodować uszkodzenie przyrządu kontrolnego. ZAWSZE przestrzegać następujących instrukcji, aby zapobiec uszkodzeniom:

NIGDY nie czyścić przyrządu kontrolnego środkiem czyszczącym. Mogłoby to spowodować zniszczenie mechanizmu lub układu elektronicznego.

Po każdym użyciu czyścić wszystkie części, ale WYŁĄCZNIE suchą i czystą szmatką.

NIGDY nie zanurzać przyrządu kontrolnego w wodzie.

Po użyciu przyrząd kontrolny włożyć z powrotem do opakowania, aby chronić go przed korozją.

Przechowywać przyrząd kontrolny w opakowaniu w suchym i czystym miejscu.

5. Akcesoria

Producent oferuje szeroką gamę akcesoriów, które umożliwiają rozszerzenie zakresu stosowania oraz wykonywanie prac szybciej i skuteczniej.

6. Ekologiczna utylizacja

Przyrząd kontrolny, akcesoria i materiały opakowaniowe należy utylizować zgodnie z miejscowymi przepisami dotyczącymi zagospodarowania odpadów.

7. Producent

GEDORE TorqueTech GmbH
Rathausstraße 22
42659 Solingen · GERMANY

Tel.: 0049 (0)1804 373668

Faks: 0049 212 888 100

Internet: www.gedore.com

8. Dane techniczne

Poniższe dane służą jedynie ogólnej orientacji.
Wskutek ciągłego rozwoju produktu mogą występować pewne rozbieżności.

Nr modelu	[lbf·in]	[lbf·ft]	[N·m]	Chwyt	Adapter
8612-012	1,8-106	-	0,2-12,0	Rozwartość 1/4"	1/4" i 3/8"
8612-050	-	0,7-40,6	0.9-55,0	rozwartość 10	1/4" i 3/8"
8612-300	-	7-236	9.0-320,0	rozwartość 17	3/8" i 1/2"
8612-1000	-	66-811	90-1100	rozwartość 36	1/2" i 3/4"
8612-3150	-	369-2323	500-3150	□ 1 1/2"	1"

Nr modelu	Wymiary		Masa	
	[cale]	[mm]	[funty]	[kg]
8612-012	5,91 x 4,92 x 4,96	150 x 125 x 126	≈ 6,6	3
8612-050	5,91 x 4,49 x 4,96	150 x 114 x 126		
8612-300	5,91 x 4.65 x 4,96	150 x 118 x 126		
8612-1000	10,24 x 7,11 x 6,91	260 x 180.5 x 175,6	≈ 22	10
8612-3150	12,60 x 7,99 x 7,76	320 x 203 x 197	≈ 57,3	26

Tarowanie (zerowanie)	Automatycznie po doprowadzeniu zasilania
Czujnik	Mostek tensometryczny wykrywający falę skrętną
Dokładność pomiaru	maks. ±1% / ± 1 cyfra od danej wartości pomiaru
Wskazanie momentu obrotowego	Wyświetlacz LCD
Zasilanie	12 V DC (prąd stały)
Zakres temperatur	Temperatura otoczenia od +18° do +28°C
Ustawienia połączenia	RS232, 9600 b/s, bez parzystości, 8 bitów danych, 1 bit stopu, bez sterowania przepływem

Índice

1. Informações de segurança importantes	143
1.1 Indicações de segurança e avisos contra danos materiais	143
PERIGO DE SOBRECARGA	144
PERIGO DE UM APERTO IMPERFEITO	144
PERIGO DE EXPLOÇÃO E INCÊNDIO	145
CONDIÇÃO AMBIENTAL ADMISSÍVEL	145
PERIGO POR CORRENTE ELÉCTRICA	145
1.2 Equipamento de protecção pessoal	146
1.3 Utilização intencionada	146
1.4 Manuseamento	147
1.5 Ambiente de trabalho	147
2. Descrição do produto	148
2.1 Conteúdo do fornecimento	149
3. Utilização do aparelho de ensaio	149
3.1 Termos utilizados	150
3.2 Instalação do aparelho de ensaio	150
3.3 Ligar/Desligar	151
3.3.1 Ligar	152
3.3.2 Desligar	152
3.4 Determinação da tara do aparelho de ensaio	152
3.5 Comutação das unidades de medida	153
3.6 Interface RS232 e ligação ao PC	153
3.7 Testar uma ferramenta dinamométrica com o aparelho de ensaio	154
3.8 Indicação electrónica de sobrecarga	157
4. Manutenção	158
4.1 Verificação da calibragem	158
4.2 Tratamento e conservação	159
5. Acessórios	160
6. Eliminação ecológica	160
7. Fabricante	160
8. Dados técnicos	161

1. Informações de segurança importantes



Antes da utilização do aparelho de ensaio, deverá ler e compreender o manual de instruções. Uma utilização errada poderá causar FERIMENTOS GRAVES ou a MORTE.

O manual de instruções é parte integrante do aparelho de ensaio. Guarde o manual de instruções em local seguro para consulta posterior e entregue-o aos utilizadores seguintes do aparelho de ensaio.



O aparelho de ensaio só deve ser utilizado por UTILIZADORES FORMADOS que tenham sido instruídos relativamente ao manuseamento seguro do aparelho. Uma utilização sem a devida instrução poderá causar FERIMENTOS GRAVES ou a MORTE.

Assegure-se de que o manual de instruções foi lido e compreendido antes da primeira utilização do aparelho de ensaio. O manual de instruções TEM DE estar sempre à disposição do utilizador.

1.1 Indicações de segurança e avisos contra danos materiais

Os avisos neste manual de instruções estão classificados da forma seguinte para uma melhor distinção:

⚠ AVISO

Alerta para uma situação perigosa que, se não for evitada, poderá causar a morte ou ferimentos graves.

⚠ CUIDADO

Alerta para uma situação perigosa que, se não for evitada, poderá causar ferimentos moderados ou ligeiros.

ATENÇÃO

Alerta para uma situação perigosa que, se não for evitada, poderá causar danos materiais ou a danificação da ferramenta dinamométrica.



Este é um sinal de aviso. O mesmo é utilizado para alertar para o possível perigo de ferimentos. Respeite todas as indicações de segurança que se seguem a este símbolo para evitar possíveis ferimentos ou a morte. Observe que este símbolo está integrado nas indicações “Aviso” e “Cuidado”.

AVISO

PERIGO DE SOBRECARGA

O aparelho de ensaio poderá ser sobrecarregado durante a utilização e partir. Isso poderá causar FERIMENTOS GRAVES ou a MORTE.

Utilize APENAS acessórios originais. Na utilização de acessórios que não foram autorizados pelo fabricante, existe também o perigo de os mesmos não resistirem aos esforços.

Verifique se o aparelho de ensaio apresenta danos ANTES DE CADA utilização.

NUNCA utilize o aparelho de ensaio caso tenha caído ao chão, batido contra outros objectos ou caso tenham caído objectos sobre o mesmo.

AVISO

PERIGO DE UM APERTO IMPERFEITO

Um aparelho de ensaio não calibrado pode causar a ruptura de uniões aparafusadas, da ferramenta dinamométrica e do acessório. Isso poderá causar FERIMENTOS GRAVES ou a MORTE.

Utilize APENAS aparelhos de ensaio testados e calibrados, ver o capítulo 4.1.

⚠ AVISO**PERIGO DE EXPLOSÃO E INCÊNDIO**

Durante a utilização do aparelho de ensaio poderão formar-se faíscas que podem dar origem a uma explosão ou incêndio e causar possivelmente FERIMENTOS GRAVES ou a MORTE.

NUNCA utilize o aparelho de ensaio em áreas nas quais faíscas possam dar origem a explosões ou incêndios.

⚠ AVISO**CONDIÇÃO AMBIENTAL ADMISSÍVEL**

Se o aparelho de ensaio for sujeito a temperaturas inferiores a 18°C ou superiores a 28°C ou a uma elevada humidade do ar superior a 90%, a consequência poderá ser uma medição incorrecta.

Verifique SEMPRE o aparelho de ensaio antes da utilização sob condições climáticas extremas com um aparelho de medição de binário autorizado.

⚠ AVISO**PERIGO POR CORRENTE ELÉCTRICA**

NUNCA utilize o aparelho de ensaio em áreas com elevada radiação electromagnética ou ionizante.

NUNCA utilize o aparelho de ensaio ao ar livre ou em espaços húmidos.

NUNCA toque na fonte de alimentação ou nas ligações de ficha com as mãos molhadas.

APENAS ligue a fonte de alimentação à rede eléctrica se a tensão e a frequência indicadas da fonte de alimentação corresponderem à tensão e à frequência da rede eléctrica.

APENAS utilize o aparelho de ensaio com a fonte de alimentação fornecida.

APENAS ligue fontes de alimentação e linhas de alimentação em perfeitas condições ao aparelho de ensaio.

NUNCA cubra as fontes de alimentação ligadas.

1.2 Equipamento de protecção pessoal



Use SEMPRE o equipamento de protecção pessoal ao utilizar o aparelho de ensaio. O aparelho de ensaio ou a ferramenta dinamométrica podem partir ou escorregar. Isso poderá causar FERIMENTOS GRAVES ou a MORTE.



Utilize SEMPRE DISPOSITIVOS DE PROTECÇÃO DOS OLHOS (*ANSI/SEA Z87.1-2010*), para proteger contra peças projectadas durante a utilização do aparelho de ensaio.

- Existe a possibilidade de projecção de PARTÍCULAS durante o trabalho com o aparelho de ensaio. Isso poderá causar FERIMENTOS GRAVES ou a MORTE.



Use SEMPRE LUVAS DE PROTECÇÃO durante a utilização do aparelho de ensaio.

- O aparelho de ensaio ou a ferramenta dinamométrica podem partir ou escorregar. Isso poderá causar FERIMENTOS GRAVES nos dedos ou nas mãos.



Use SEMPRE CALÇADO DE SEGURANÇA com sola antiderrapante e biqueira de aço (*ASTM F2413-05*) durante a utilização do aparelho de ensaio.

- A queda de peças poderá causar FERIMENTOS GRAVES nos pés e nos dedos dos pés.

1.3 Utilização intencionada



O aparelho de ensaio foi desenvolvido para a verificação de ferramentas dinamométricas de accionamento de rotação à direita.

- Utilize o aparelho de ensaio APENAS para esta finalidade.
- Qualquer utilização diferente poderá causar FERIMENTOS GRAVES ou a MORTE.
- NUNCA permita que crianças utilizem o aparelho de ensaio.

1.4 Manuseamento

AVISO

Uma utilização errada poderá causar FERIMENTOS GRAVES ou a MORTE.

Respeite as precauções de segurança seguintes para evitar ferimentos e danos materiais causados por uma utilização errada e um manuseamento inseguro do aparelho de ensaio:

- Controle SEMPRE o aparelho de ensaio, sobretudo o encaixe e a caixa, bem como os acessórios quanto a danos visíveis antes da utilização.
- NUNCA utilize um aparelho de ensaio danificado.
- NUNCA utilize um aparelho de ensaio e acessórios que apresentem alterações.
- NUNCA modifique um aparelho de ensaio e os acessórios.
- Utilize SEMPRE o aparelho de ensaio no sentido de rotação indicado. Respeite a seta do sentido de rotação.
- Utilize SEMPRE acessórios normalizados ou autorizados pelo fabricante.
- Transporte SEMPRE o aparelho de ensaio na embalagem protectora contra impactos.

1.5 Ambiente de trabalho

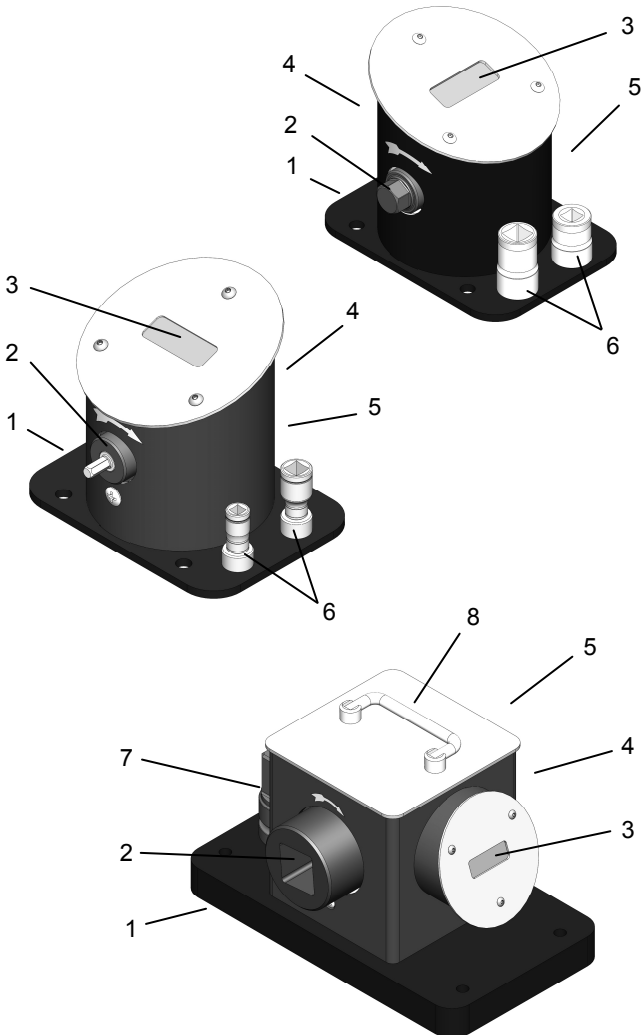


Utilize o aparelho de ensaio SEMPRE num ambiente de trabalho seguro.

- A área de trabalho tem de estar limpa e arrumada.
- A área de trabalho tem de ser suficientemente grande e estar vedada.
- NUNCA utilize o aparelho de ensaio numa área de trabalho com uma elevada concentração de poeira.
- NUNCA utilize o aparelho de ensaio numa área de trabalho com uma radiação electromagnética ou ionizante.

2. Descrição do produto

1. Placa base
2. Accionamento
3. Display
4. Ligação de ficha/Alimentação de tensão
5. Interface RS232
6. Encaixe para chave de caixa
7. Elemento de ampliação
8. Alça de transporte (somente o 8612-315)



2.1 Conteúdo do fornecimento

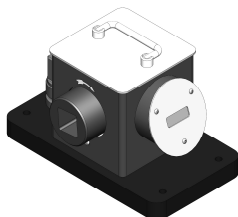
- Aparelho electrónico de ensaio
- Fonte de alimentação
- 100 - 240 V; 50 - 60 Hz; máx. 500 mA (observar a chapa de características!)
- 2 encaixes para chave de caixa (1x elemento de ampliação para o 8612-3150) (tamanho da chave e accionamento segundo o tamanho)
- Manual de instruções
- Certificado de controlo
- Embalagem de expedição
- Cabo de RS232

3. Utilização do aparelho de ensaio

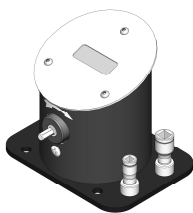


Leia SEMPRE as informações de segurança importantes (capítulo 1) ANTES de utilizar o aparelho de ensaio.

O manual de instruções descreve a utilização das seguintes variantes do produto:



- Aparelho de ensaio com encaixe lateral de sextavado externo ou quadrado interno



- Aparelho de ensaio com encaixe frontal de sextavado externo

O procedimento de ensaio é representado esquematicamente com base num aparelho de ensaio com encaixe lateral (sextavado externo) para a ferramenta dinamométrica. Os passos de trabalho do ensaio com um encaixe frontal para a ferramenta dinamométrica não são diferentes. O sentido de rotação está marcado de forma visível na caixa.

3.1 Termos utilizados

Tara:	Compensação do zero, o binário é definido para "0".
Primeiro pico:	Detecção do ponto de inflexão (é apresentado o binário de disparo da ferramenta dinamométrica).
Calibragem:	Verificação da precisão de medição.
Ferramenta dinamométrica:	Chave dinamométrica com accionamento segundo a DIN EN ISO 6789 Tipo II.

3.2 Instalação do aparelho de ensaio

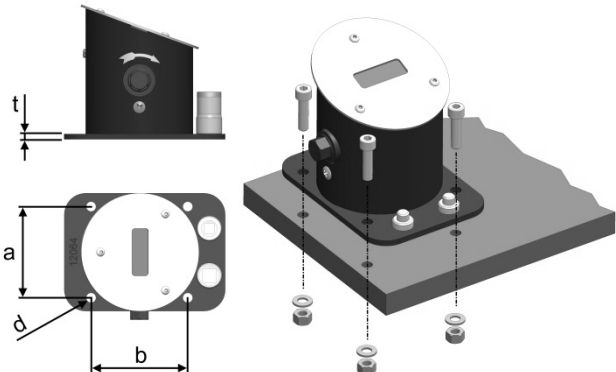
⚠ AVISO

NUNCA utilize o aparelho de ensaio se este não estiver sobre uma base estável e fixado com meios de fixação adequados. Preste SEMPRE atenção para que a base não tombe pelo uso do aparelho de ensaio.

NUNCA utilize o aparelho de ensaio ao ar livre ou em espaços húmidos.

Para a fixação sobre uma base adequada, recomendamos utilizar parafusos sextavados ou de cabeça cilíndrica (4 unidades), de tamanho M8, no mínimo com classe de resistência 8.8 (M10 com, no mínimo, classe de resistência 8.8 para o 8612-3150), com anilhas e porcas adequadas.

Posicione o aparelho SEMPRE de maneira que não ocorram quaisquer pontos de esmagamento entre o aparelho de ensaio, a ferramenta dinamométrica e a base.



Modelo n.º	a		b	
	[pol.]	[mm]	[pol.]	[mm]
8612-012	3.35	85	3.55	90
8612-050	3.35	85	3.55	90
8612-300	3.35	85	3.55	90
8612-1000	4.52	115	6.89	175
8612-3150	4.52	115	11.02	280

Modelo n.º	d		t	
	[pol.]	[mm]	[pol.]	[mm]
8612-012	0.35	9	0.20	5
8612-050	0.35	9	0.20	5
8612-300	0.35	9	0.20	5
8612-1000	0.35	9	0.40	10
8612-3150	0.43	11	1.18	30

3.3 Ligar/Desligar

⚠ AVISO

Antes de ligar o aparelho de ensaio, retire SEMPRE todos os acessórios, ferramentas dinamométricas e outras peças do encaixe. A não observância poderá causar uniões aparafusadas imperfeitas e possivelmente FERIMENTOS GRAVES ou a MORTE.

⚠ AVISO

PERIGO POR CORRENTE ELÉCTRICA

NUNCA utilize o aparelho de ensaio em áreas com elevada radiação electromagnética ou ionizante.

NUNCA utilize o aparelho de ensaio ao ar livre ou em espaços húmidos.

NUNCA toque na fonte de alimentação ou nas ligações de ficha com as mãos molhadas.

APENAS ligue a fonte de alimentação à rede eléctrica se a tensão e a frequência indicadas da fonte de alimentação corresponderem à tensão e à frequência da rede eléctrica.

APENAS utilize o aparelho de ensaio com a fonte de alimentação fornecida.

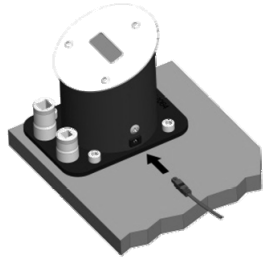
APENAS ligue fontes de alimentação e linhas de alimentação em perfeitas condições ao aparelho de ensaio.

NUNCA cubra as fontes de alimentação ligadas.

3.3.1 Ligar

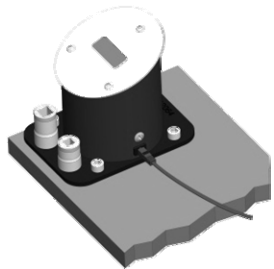
Ligue o cabo de ligação da fonte de alimentação ao aparelho de ensaio. A seguir, ligue a fonte de alimentação à tomada.

O aparelho de ensaio liga-se, então, automaticamente. A tara é determinada automaticamente. O aparelho está operacional quando apresentar o valor "0 0 0 0" (conforme o modelo, com ponto decimal).



3.3.2 Desligar

Para desligar o aparelho de ensaio, desligue primeiro a ficha da tomada da rede. A seguir, poderá desligar o cabo de ligação do aparelho de ensaio.



3.4 Determinação da tara do aparelho de ensaio

Após ligar o aparelho de ensaio, o display apresenta "0 0 0 0". Se o aparelho de ensaio apresentar um outro valor no estado sem carga, é necessário efectuar novamente a taragem do aparelho. Para o efeito, retire a ficha da tomada da rede e volte a ligá-la após transcorrerem, pelo menos, 5 segundos. A taragem automática é iniciada novamente.

3.5 Comutação das unidades de medida

ATENÇÃO

O aparelho de ensaio pode ser comutado entre as unidades "N·m" e "lbf·ft" ("lbf·in" no 8612-012).

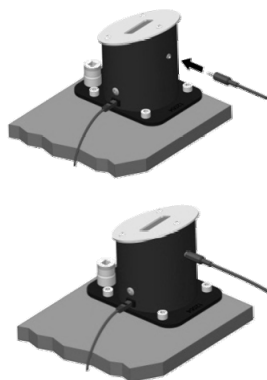
Após ligar o aparelho de ensaio, a unidade actual é apresentada por uma barra no display, ao lado da unidade escrita.

Poderá mudar a unidade, fornecendo um binário mínimo à esquerda (veja a tabela seguinte), durante pelo menos 2 segundos. A barra no display muda então para o lugar da unidade alternativa escrita na tampa do aparelho.

Binário mínimo à esquerda		
Modelo n.º	[lbf·ft]	[N·m]
8612-012	> 13.3	> 1.5
8612-050	> 3.7	> 5
8612-300	> 11.1	> 15
8612-1000	> 18.5	> 25
8612-3150	> 110.6	> 150

3.6 Interface RS232 e ligação ao PC

Pode ligar o aparelho de ensaio à interface RS232 de um computador. Assim é possível transferir valores de teste para o computador. Para a ligação, utilize o cabo de ligação fornecido (tomada sub D de 9 pinos/ficha jack de 3,5 mm e 3 pinos). Para a comunicação com o aparelho de ensaio, utilize um programa de terminal adequado para o seu sistema operativo e o seu hardware. A interface no aparelho de ensaio está sempre ativada e não pode ser desligada.



Quanto a ajustes de ligação, consulte a secção 8 Dados técnicos.

Impressão em formato ASCII standard. Exemplo de impressão:

```

***                GEDORE                ***
DREMOTEST-E 8612-050 SNR. 99999
SCHLUESSEL-/Wrench-No. : _____
No.                MESSWERT/Value
001 ----- 02.68 N.m
002 ----- 01.02 N.m
003 ----- 01.44 N.m

```

A impressão do cabeçalho e a contagem da medição começam novamente ao ligar-se a alimentação eléctrica.

3.7 Testar uma ferramenta dinamométrica com o aparelho de ensaio

AVISO

PERIGO DE SOBRECARGA

O aparelho de ensaio poderá ser sobrecarregado durante a utilização e partir. Isso poderá causar FERIMENTOS GRAVES ou a MORTE.

Utilize APENAS acessórios originais. Na utilização de acessórios que não foram autorizados pelo fabricante, existe também o perigo de os mesmos não resistirem aos esforços.

Verifique se o aparelho de ensaio apresenta danos ANTES DE CADA utilização.

NUNCA utilize o aparelho de ensaio caso tenha caído ao chão, batido contra outros objectos ou caso tenham caído objectos sobre o mesmo.

AVISO

PERIGO DE UM APERTO IMPERFEITO

Um aparelho de ensaio não calibrado pode causar a ruptura de uniões aparafusadas, da ferramenta dinamométrica e do acessório. Isso poderá causar FERIMENTOS GRAVES ou a MORTE.

Utilize APENAS aparelhos de ensaio testados e calibrados, ver o capítulo 4.1.

⚠ AVISO

Antes de utilizar o aparelho de ensaio, verifique **SEMPRE** se o mesmo encontra-se devidamente fixado.

Assegure-se de que está a utilizar **SEMPRE** a unidade prescrita.

NUNCA utilize o aparelho de ensaio fora do intervalo de binário autorizado. O intervalo de binário encontra-se indicado na área por baixo do display.

Utilize **SEMPRE** a ferramenta dinamométrica em ângulo de 90° sobre o encaixe.

NUNCA utilize prolongamentos.

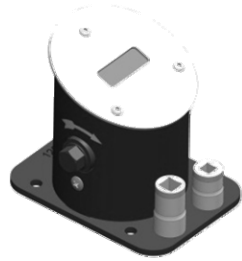
Utilize **SEMPRE** os acessórios originais autorizados pelo fabricante.

Se, ao realizar o teste, a resistência se alterar inesperadamente, alivie **IMEDIATAMENTE** o aparelho de ensaio, ou seja, a ferramenta dinamométrica e verifique o aparelho de ensaio e a ferramenta dinamométrica quanto a danos.

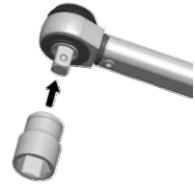
Utilize **SEMPRE** o aparelho de ensaio no sentido de rotação indicado. Respeite a seta do sentido de rotação.

O aparelho de ensaio indica o respectivo binário até que se chegue a uma queda do binário (por ex. pelo desengate da ferramenta dinamométrica ou pela interrupção da aplicação da força). O binário máximo alcançado, antes da queda, é apresentado por um breve momento no display. A seguir, é novamente apresentado o binário existente atual.

O aparelho de ensaio foi desenvolvido para a verificação de ferramentas dinamométricas de accionamento com rotação à direita. O sentido de rotação está marcado de forma visível na caixa.

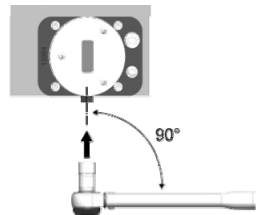


Encaixe a chave de caixa adequada no encaixe da ferramenta dinamométrica. Ao encaixar a chave de caixa no encaixe da ferramenta dinamométrica, preste atenção ao engate dos elementos de retenção. Verifique se a união está segura, puxando de maneira evidente pelo adaptador da chave de caixa.



Verifique se a indicação no display é "0 0 0 0". Se houver uma divergência na apresentação do display, proceda conforme descrito na secção 3.4 Determinação da tara do aparelho de ensaio.

Coloque a ferramenta dinamométrica com o adaptador de chave de caixa num ângulo de 90° no encaixe do aparelho de ensaio. Introduza o adaptador sextavado até onde for possível no encaixe sextavado.



Rode a ferramenta dinamométrica pelo punho lenta e uniformemente no sentido da seta (preste atenção à seta do sentido de rotação) até ouvir um clique e sentir um ligeiro solavanco.



Alivie **SEMPRE** **IMEDIATAMENTE** o aparelho de ensaio após accionar a ferramenta dinamométrica. O valor do binário máximo é apresentado no display

3.8 Indicação electrónica de sobrecarga

⚠ AVISO

PERIGO DE UM APERTO IMPERFEITO

Um aparelho de ensaio não calibrado pode causar a ruptura de uniões aparafusadas, da ferramenta dinamométrica e do acessório. A não observância poderá causar uniões aparafusadas imperfeitas e possivelmente **FERIMENTOS GRAVES** ou a **MORTE**. (Capítulo 4.1)

Para modelo 8612-012

No caso de binários demasiado elevados (>13 Nm), o aparelho de ensaio electrónico emite um sinal acústico permanente.

Alivie imediatamente o aparelho de ensaio electrónico. Na margem superior e inferior do visor aparecem traços horizontais.

Desligue o aparelho de ensaio electrónico da corrente para desligar o sinal acústico.

ATENÇÃO

Para se assegurar que não ocorreu uma danificação do eixo de torção na sequência da sobrecarga, deverá mandar verificar (calibrar) o aparelho de ensaio.

Para tal, entre em contacto com o nosso serviço de assistência técnica: www.gedore.com

4. Manutenção

4.1 Verificação da calibragem

⚠ AVISO**PERIGO DE UM APERTO IMPERFEITO**

Um aparelho de ensaio não calibrado pode causar a ruptura de uniões aparafusadas, da ferramenta dinamométrica e do acessório. A não observância poderá causar uniões aparafusadas imperfeitas e possivelmente FERIMENTOS GRAVES ou a MORTE.

Utilize APENAS aparelhos de ensaio testados e calibrados.

A utilização do aparelho de ensaio implica a actuação de grandes forças. No caso de aparelhos de ensaio não testados ou não sujeitos a manutenção existe o perigo destes não serem suficientemente resistentes aos esforços ou de serem indicados binários de aperto imperfeitos. Respeite SEMPRE as indicações de segurança que se seguem para evitar FERIMENTOS GRAVES e a MORTE:

- NUNCA utilize um aparelho de ensaio defeituoso.
- Mandar calibrar SEMPRE regularmente o aparelho de ensaio.

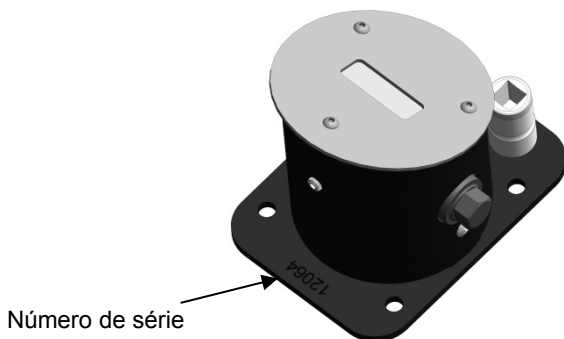
Como requisito mínimo, recomenda-se um intervalo de calibragem de uma vez a cada 12 meses. Além disso, no caso de ferramentas dinamométricas sensíveis, normas internas ou requisitos de qualidade, podem aplicar-se intervalos de calibragem consideravelmente mais curtos.

ATENÇÃO

NUNCA deixe passar a recalibragem do aparelho de ensaio. Uma calibragem incorrecta pode causar danos no aparelho de ensaio.

A calibragem SÓ pode ser realizada por técnicos autorizados, um laboratório de calibragem acreditado ou pelo fabricante.

Cada aparelho de ensaio novo vem acompanhado de um certificado de calibragem. O aparelho de ensaio e o certificado de calibragem estão identificados com um número de série idêntico.



4.2 Tratamento e conservação

ATENÇÃO

O manuseamento incorrecto pode causar danos no aparelho de ensaio. Respeite SEMPRE as indicações que se seguem para evitar danos:

NUNCA utilize produtos de limpeza para limpar o aparelho de ensaio. Estes podem originar a destruição do sistema mecânico ou electrónico.

Após cada utilização, limpe todas as peças APENAS com um pano de limpeza seco e limpo.

NUNCA mergulhe o aparelho de ensaio em água.

Após a utilização, volte a colocar o aparelho de ensaio na embalagem para o proteger da corrosão.

Guarde o aparelho de ensaio na embalagem em local seco e limpo.

5. Acessórios

O fabricante disponibiliza no programa de acessórios um grande número de componentes que permitem alargar o campo de aplicações e que tornam o trabalho ainda mais eficaz e eficiente.

6. Eliminação ecológica

Elimine o aparelho de ensaio, os acessórios e o material da embalagem em conformidade com as normas legais.

7. Fabricante

GEDORE TorqueTech GmbH
Rathausstraße 22
42659 Solingen · GERMANY

Tel.: 0049 (0)1804 373668
Fax.: 0049 212 888 100

Internet: www.gedore.com

8. Dados técnicos

Os dados que se seguem servem de orientação. Devido ao aperfeiçoamento constante do produto poderá haver divergências.

Modelo n.º	[lbf-in]	[lbf-ft]	[N·m]	Encaixe	Adaptador
8612-012	1.8 - 106	-	0.2 – 12.0	Tamanho da chave 1/4"	1/4" e 3/8"
8612-050	-	0.7 - 40.6	0.9 – 55.0	Tamanho da chave 10	1/4" e 3/8"
8612-300	-	7 - 236	9.0 – 320.0	Tamanho da chave 17	3/8" e 1/2"
8612-1000	-	66 - 811	90 – 1,100	Tamanho da chave 36	1/2" e 3/4"
8612-3150	-	369 - 2323	500 – 3,150	□ 1½"	1"

Modelo n.º	Dimensões		Peso	
	[pol.]	[mm]	[lb]	[kg]
8612-012	5.91 x 4.92 x 4.96	150 x 125 x 126	≈ 6.6	3
8612-050	5.91 x 4.49 x 4.96	150 x 114 x 126		
8612-300	5.91 x 4.65 x 4.96	150 x 118 x 126		
8612-1000	10.24 x 7.11 x 6.91	260 x 180.5 x 175.6	≈ 22	10
8612-3150	12.60 x 7.99 x 7.76	320 x 203 x 197	≈ 57.3	26

Tara (compensação de zero)	Automática quando houver alimentação eléctrica
Sensor de medição	Veio de torsão com circuito em ponte total de DMS
Precisão de medição	máx. ± 1%/± 1 dígito do respectivo valor de medição
Indicação do binário	Display LCD
Alimentação eléctrica	12 V CC (corrente contínua)
Intervalo de temperatura	Temperatura ambiente de + 18° a + 28°C
Configuração de ligação	RS232, 9600 Baud, sem paridade, 8 bits de dados, 1 bit de paragem, sem controlo de fluxo

Содержание

1. Важные правила техники безопасности	163
1.1 Указания по технике безопасности и предупреждения о материальном ущербе	163
ОПАСНОСТЬ ПЕРЕГРУЗКИ	164
ОПАСНОСТЬ НЕПРАВИЛЬНОЙ ЗАТЯЖКИ	164
ОПАСНОСТЬ ВЗРЫВА И ПОЖАРА	165
ДОПУСТИМЫЕ УСЛОВИЯ ОКРУЖАЮЩЕЙ СРЕДЫ	165
ОПАСНОСТЬ ПОРАЖЕНИЯ ЛЕКТРИЧЕСКИМ ТОКОМ	165
1.2 Средства индивидуальной защиты	166
1.3 Использование по назначению	166
1.4 Обращение с инструментом	167
1.5 Рабочее окружение	167
2. Описание изделия	168
2.1 Объем поставки	169
3. Использование контрольного прибора	169
3.1 Используемые понятия	170
3.2 Установка контрольного прибора	170
3.3 Включение и выключение	171
3.3.1 Включение	172
3.3.2 Выключение	172
3.4 Юстировка контрольного прибора	173
3.5 Переключение единиц измерения	173
3.6 Интерфейс RS232 и подключение к компьютеру	174
3.7 Проверка динамометрического резьбозавинчивающего инструмента при помощи контрольного прибора	175
3.8 Электронное указание о перегрузке	178
4. Техобслуживание	179
4.1 Проверка калибровки	179
4.2 Уход и хранение	180
5. Принадлежности	181
6. Экологически безвредная утилизация	181
7. Производитель	181
8. Технические характеристики	182

1. Важные правила техники безопасности



Перед применением контрольного прибора прочитайте инструкцию по эксплуатации и разберитесь.

Неправильное применение может привести к **ТЯЖЕЛЫМ ТРАВМАМ** или **СМЕРТИ**.

Инструкция по эксплуатации является неотъемлемой частью контрольного прибора. Храните инструкцию по эксплуатации в надежном месте для ее дальнейшего использования и передайте ее последующему пользователю контрольного прибора.



Использовать контрольный прибор разрешено только **ОБУЧЕННЫМ ПОЛЬЗОВАТЕЛЯМ**, которые прошли инструктаж по безопасному обращению с данным инструментом. Применение инструмента без прохождения инструктажа может привести к **ТЯЖЕЛЫМ ТРАВМАМ** или **СМЕРТИ**.

Убедитесь в том, что перед первым применением контрольного прибора была прочитана и понята инструкция по эксплуатации. Инструкция по эксплуатации **ДОЛЖНА** постоянно и в любое время находиться у пользователя.

1.1 Указания по технике безопасности и предупреждения о материальном ущербе

Предупреждения в настоящей инструкции по эксплуатации классифицированы для лучшего понимания следующим образом:

⚠ ПРЕДУПРЕЖДЕНИЕ

Указывает на опасную ситуацию, которая, если ее не избежать, может привести к смерти или тяжелым травмам.

⚠ ОСТОРОЖНО

Указывает на опасную ситуацию, которая, если ее не избежать, может привести к травмам средней и легкой тяжести.

ВНИМАНИЕ

Указывает на опасную ситуацию, которая, если ее не избежать, может привести к материальному ущербу или повреждениям динамометрического резьбозавинчивающего инструмента.



Это предупредительный знак. Он используется для того, чтобы предупредить о возможной опасности или травме. Обращайте внимание на все указания по технике безопасности, следующие за этим знаком, чтобы избежать возможных травм или смерти. Обратите внимание, что этот символ интегрирован в указания "Предупреждение" и "Осторожно".

⚠ ПРЕДУПРЕЖДЕНИЕ

ОПАСНОСТЬ ПЕРЕГРУЗКИ

Контрольный прибор может быть перегружен и в результате сломаться. Это может привести к **ТЯЖЕЛЫМ ТРАВМАМ** или **СМЕРТИ**.

Используйте **ТОЛЬКО** оригинальные принадлежности. При использовании принадлежностей, не разрешенных производителем, также существует опасность того, что они не выдержат нагрузок.

Проверяйте контрольный прибор **ПЕРЕД КАЖДЫМ** использованием на наличие повреждений.

НИКОГДА не используйте контрольный прибор, если он падал, ударялся о другие предметы или если предметы падали на него.

⚠ ПРЕДУПРЕЖДЕНИЕ

ОПАСНОСТЬ НЕПРАВИЛЬНОЙ ЗАТЯЖКИ

Неоткалиброванный контрольный прибор может привести к поломке резьбовых соединений, динамометрического резьбовозавинчивающего инструмента и аксессуаров. Это может привести к **ТЯЖЕЛЫМ ТРАВМАМ** или **СМЕРТИ**.

Используйте **ТОЛЬКО** проверенные и откалиброванные контрольные приборы, см. главу 4.1.

⚠ ПРЕДУПРЕЖДЕНИЕ**ОПАСНОСТЬ ВЗРЫВА И ПОЖАРА**

При использовании контрольного прибора могут образоваться искры, которые, в свою очередь, могут привести ко взрыву или пожару, а также к возможным **ТЯЖЕЛЫМ ТРАВМАМ** или **СМЕРТИ**.

НИКОГДА не используйте контрольный прибор в местах, в которых искры могут привести к взрыву или пожарам.

⚠ ПРЕДУПРЕЖДЕНИЕ**ДОПУСТИМЫЕ УСЛОВИЯ ОКРУЖАЮЩЕЙ СРЕДЫ**

Воздействие на контрольный прибор температур ниже 18°C или выше 28°C или влажности воздуха выше 90% может стать причиной неправильных измерений.

ВСЕГДА проверяйте контрольный прибор перед использованием в экстремальных климатических условиях при помощи контрольного прибора для проверки крутящего момента, имеющего соответствующий допуск.

⚠ ПРЕДУПРЕЖДЕНИЕ**ОПАСНОСТЬ ПОРАЖЕНИЯ ЭЛЕКТРИЧЕСКИМ ТОКОМ**

НИКОГДА не используйте контрольный прибор в местах с высоким электромагнитным и ионизирующим излучением.

НИКОГДА не используйте контрольный прибор на открытом воздухе или во влажных помещениях.

НИКОГДА не прикасайтесь к блоку питания или штепсельным разъемам влажными руками.

Включайте блок питания в электросеть **ТОЛЬКО** в том случае, если указанное на блоке питания напряжение и частота соответствуют напряжению и частоте электросети.

Используйте контрольный прибор только с прилагаемым блоком питания.

Подключайте к контрольному прибору **ТОЛЬКО** неповрежденные блоки питания и подводящие провода.

НИКОГДА не накрывайте подключенные блоки питания.

1.2 Средства индивидуальной защиты



ВСЕГДА используйте средства индивидуальной защиты во время применения контрольного инструмента.

Контрольный прибор или динамометрический резьбозавинчивающий инструмент могут сломаться или выскочить из рук. Это может привести к **ТЯЖЕЛЫМ ТРАВМАМ** или **СМЕРТИ**:



ВСЕГДА используйте **ЗАЩИТУ ДЛЯ ГЛАЗ (ANSI/ISEA Z87.1-2010)**, предохраняющую от отлетающих деталей во время применения контрольного прибора.

- Во время работы с контрольным прибором в воздух могут подниматься **ЧАСТИЦЫ ПЫЛИ**. Это может привести к **ТЯЖЕЛЫМ ТРАВМАМ** или **СМЕРТИ**.



ВСЕГДА пользуйтесь **ЗАЩИТНЫМИ ПЕРЧАТКАМИ** во время работы с контрольным прибором.

- Контрольный прибор или динамометрический резьбозавинчивающий инструмент могут сломаться или выскочить из рук. Это может привести к **ТЯЖЕЛЫМ ТРАВМАМ** пальцев или кистей рук.



ВСЕГДА пользуйтесь **ЗАЩИТНОЙ ОБУВЬЮ** с противоскользящей подошвой и стальным носком (ASTM F2413-05) во время применения контрольного прибора.

- Падающие на пол детали могут привести к **ТЯЖЕЛЫМ ТРАВМАМ** ступней и пальцев ног.

1.3 Использование по назначению



Контрольный прибор разработан для проверки динамометрического резьбозавинчивающего инструмента с вращением по часовой стрелке.

- Используйте контрольный прибор **ТОЛЬКО** для этой цели.
- Любое другое применение может привести к **ТЯЖЕЛЫМ ТРАВМАМ** или **СМЕРТИ**.
- **НИКОГДА** не позволяйте детям пользоваться контрольным прибором.

1.4 Обращение с инструментом

ПРЕДУПРЕЖДЕНИЕ

Неправильное применение может привести к ТЯЖЕЛЫМ ТРАВМАМ или СМЕРТИ.

Соблюдайте следующие меры по обеспечению безопасности, это позволит избежать травм и материального ущерба, вызванных неправильным использованием и небезопасным обращением с контрольным прибором.

- Перед использованием ВСЕГДА проверяйте контрольный прибор, в особенности, крепление и корпус, а также принадлежности на наличие внешних повреждений.
- НИКОГДА не используйте поврежденный контрольный прибор.
- НИКОГДА не используйте контрольный прибор и принадлежности, имеющие какие-либо изменения.
- НИКОГДА не изменяйте контрольный прибор и принадлежности.
- ВСЕГДА используйте контрольный прибор для заданного направления вращения. Учитывайте стрелку направления вращения.
- ВСЕГДА используйте принадлежности, соответствующие стандартам или разрешенные производителем.
- ВСЕГДА транспортируйте контрольный прибор в упаковке, защищающей его от ударов.

1.5 Рабочее окружение

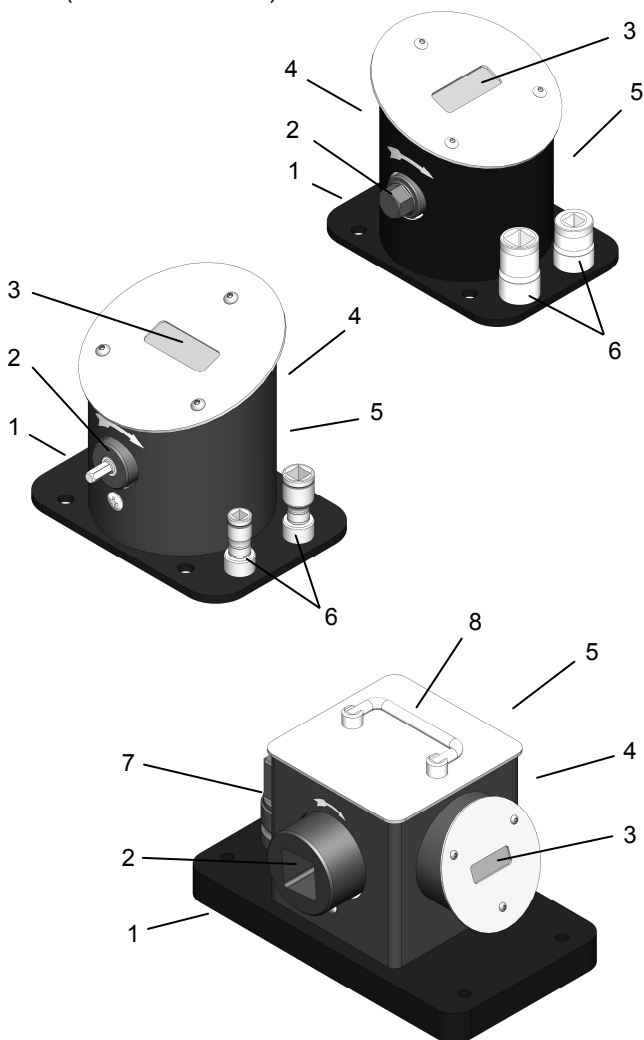


ВСЕГДА используйте контрольный прибор в безопасном рабочем окружении.

- Рабочая зона должна быть чистой и прибранной.
- Рабочая зона должна быть достаточно большой и безопасной.
- НИКОГДА не используйте контрольный прибор в рабочей зоне с высокой концентрацией пыли.
- НИКОГДА не используйте контрольный прибор в рабочей зоне с высоким электромагнитным и ионизирующим излучением.

2. Описание изделия

1. Плита основания
2. Привод
3. Дисплей
4. Разъемное соединение / электропитание
5. Интерфейс RS232
6. Насадка торцевого ключа
7. Удлинитель
8. Ручка для переноски
(только 8612-3150)



2.1 Объем поставки

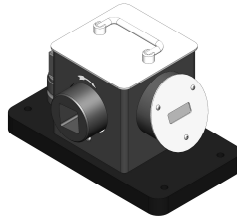
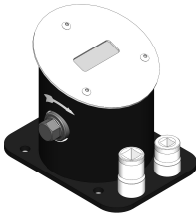
- Электронный контрольный прибор
- Блок питания
- 100 - 240 В; 50 - 60 Гц; макс. 500 мА
(Соблюдать указания на фирменной табличке!)
- 2 насадки торцевых ключей
(1 удлинитель для 8612-3150) (размер ключа и привод в зависимости от типоразмера)
- Инструкция по эксплуатации
- Сертификат проверки
- Транспортная упаковка
- Кабель RS232

3. Использование контрольного прибора

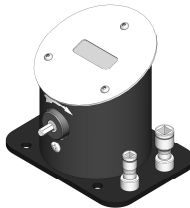


Перед использованием контрольного прибора ВСЕГДА читайте важные сведения по обеспечению безопасности (глава 1).

В инструкции по эксплуатации описано применение следующих вариантов изделия:



- Контрольный прибор с боковым внешним шестигранным или внутренним четырехгранным креплением



- Контрольный прибор с фронтальным наружным шестигранным креплением

Процесс испытания представлен схематически на основе контрольного прибора с боковым креплением (наружный шестигранник) для динамометрического резьбовозавинчивающего инструмента. Рабочие шаги в процессе испытания в случае фронтального крепления для динамометрического резьбовозавинчивающего инструмента не отличаются. Направление вращения четко обозначено на корпусе.

3.1 Используемые понятия

Юстировка:	Установка нуля; крутящий момент устанавливается на "0".
Первый пик:	Распознавание критической точки (отображается момент срабатывания динамометрического резьбовозавинчивающего инструмента)
Калибровка:	Проверка точности измерения.
Динамометрический резьбовозавинчивающий инструмент:	Срабатывающий динамометрический ключ согласно DIN EN ISO 6789 тип II.

3.2 Установка контрольного прибора

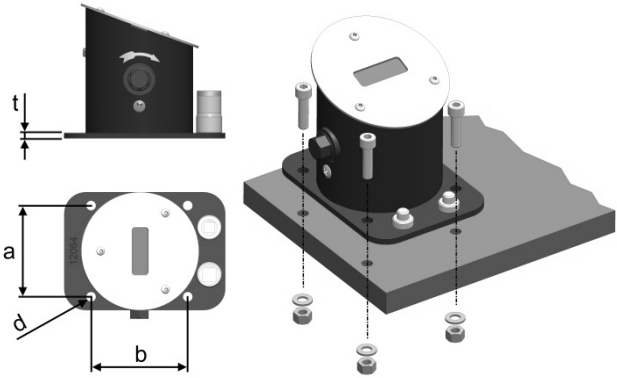
⚠ ПРЕДУПРЕЖДЕНИЕ

НИКОГДА не используйте контрольный прибор, если он не зафиксирован на устойчивом основании при помощи соответствующих крепежных средств. ВСЕГДА обращайтесь внимание на то, чтобы основание не опрокинулось при использовании контрольного прибора.

НИКОГДА не используйте контрольный прибор на открытом воздухе или во влажных помещениях.

Мы рекомендуем использовать для крепления на соответствующем основании винты с шестигранной или цилиндрической головкой (4 штуки) размера М8 с минимальным классом прочности 8.8 (М10 с минимальным классом прочности 8.8 для 8612-3150), с использованием соответствующих подкладных шайб и гаек.

ВСЕГДА размещайте прибор таким образом, чтобы между контрольным прибором, динамометрическим резьбовозавинчивающим инструментом и основанием не возникало защемлений.



№ модели	a		b	
	[дюйм]	[мм]	[дюйм]	[мм]
8612-012	3.35	85	3.55	90
8612-050	3.35	85	3.55	90
8612-300	3.35	85	3.55	90
8612-1000	4.52	115	6.89	175
8612-3150	4.52	115	11.02	280

№ модели	d		t	
	[дюйм]	[мм]	[дюйм]	[мм]
8612-012	0.35	9	0.20	5
8612-050	0.35	9	0.20	5
8612-300	0.35	9	0.20	5
8612-1000	0.35	9	0.40	10
8612-3150	0.43	11	1.18	30

3.3 Включение и выключение

⚠ ПРЕДУПРЕЖДЕНИЕ

Перед включением контрольного прибора ВСЕГДА извлекайте все принадлежности, динамометрический резьбовозавинчивающий инструмент и прочие детали из крепления. Несоблюдение этого условия может привести к получению неправильных резьбовых соединений и, возможно, к **ТЯЖЕЛЫМ ТРАВМАМ** или **СМЕРТИ**.

⚠ ПРЕДУПРЕЖДЕНИЕ**ОПАСНОСТЬ ПОРАЖЕНИЯ ЭЛЕКТРИЧЕСКИМ ТОКОМ**

НИКОГДА не используйте контрольный прибор в местах с высоким электромагнитным и ионизирующим излучением.

НИКОГДА не используйте контрольный прибор на открытом воздухе или во влажных помещениях.

НИКОГДА не прикасайтесь к блоку питания или штепсельным разъемам влажными руками.

Включайте блок питания в электросеть ТОЛЬКО в том случае, когда указанное на блоке питания напряжение и частота соответствуют напряжению и частоте электросети.

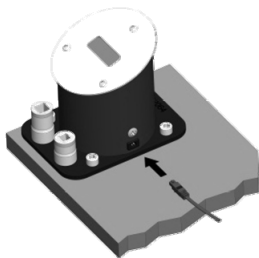
Используйте контрольный прибор только с прилагаемым блоком питания.

Подключайте к контрольному прибору ТОЛЬКО неповрежденные блоки питания и подводящие провода.

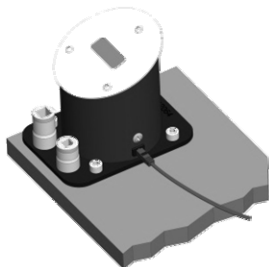
НИКОГДА не накрывайте подключенные блоки питания.

3.3.1 Включение

Подключите соединительный кабель блока питания к контрольному прибору. Включите блок питания в розетку. Контрольный прибор включится автоматически. Будет произведена автоматическая юстировка. Прибор готов к работе, когда на дисплее отображается значение “ 0 0 0 0 “ (в зависимости от модели, с десятичной запятой).

**3.3.2 Выключение**

Для выключения контрольного прибора сначала выньте сетевой шнур из розетки. Затем отключите соединительный кабель от контрольного прибора.



3.4 Юстировка контрольного прибора

После включения контрольного прибора на дисплее отобразится значение “ 0 0 0 0 “. Если на дисплее контрольного прибора в ненагруженном состоянии отображается другое значение, необходимо провести повторную юстировку контрольного прибора. Для этого выньте сетевой шнур из розетки и вставьте его повторно не раньше, чем через 5 секунд. Начнется повторная автоматическая юстировка.

3.5 Переключение единиц измерения

ВНИМАНИЕ

В контрольном приборе можно осуществлять выбор между единицами “Н·м” и “lbf·ft” (“lbf·in” в 8612-012).

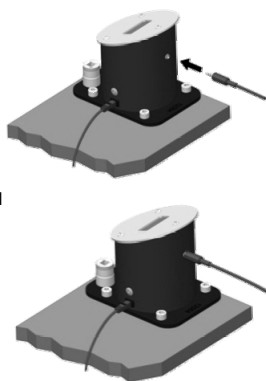
После включения контрольного прибора с помощью полоски на дисплее рядом с напечатанной единицей измерения отображается текущая единица измерения.

Путем установки минимального левого крутящего момента (см. следующую таблицу) в течение минимум 2 секунд можно переключить единицы измерения. Полоска на дисплее поменяет свое положение и перейдет на место напечатанной альтернативной единицы измерения на крышке корпуса.

Минимальный левый крутящий момент		
№ модели	[lbf·ft]	[N·m]
8612-012	> 13.3	> 1.5
8612-050	> 3.7	> 5
8612-300	> 11.1	> 15
8612-1000	> 18.5	> 25
8612-3150	> 110.6	> 150

3.6 Интерфейс RS232 и подключение к компьютеру

Вы можете подключить контрольный прибор к интерфейсу RS232 компьютера. Благодаря этому можно перенести контрольные значения на компьютер. Для подключения воспользуйтесь прилагаемым соединительным кабелем (9-полюсный миниатюрный разъем типа D / 3,5 мм, 3-полюсный контактный штекер). Для обмена информацией с контрольным прибором используйте терминальную программу, пригодную для Вашей операционной системы и аппаратного обеспечения. Интерфейс контрольного прибора всегда активен и не может быть отключен.



Настройки соединений см. в главе 8 Технические характеристики.

Вывод данных в стандартном формате ASCII.
Пример вывода данных:

```

***                GEDORE                ***
DREMOTEST-E 8612-050 SNR. 99999
SCHLUESSEL-/Wrench-No. : _____
No.                MESSWERT/Value
001 ----- 02.68 N.m
002 ----- 01.02 N.m
003 ----- 01.44 N.m
    
```

Распечатка заглавия и подсчет результатов измерения заново начинается при повторном подключении к электросети.

3.7 Проверка динамометрического резьбовозавинчивающего инструмента при помощи контрольного прибора

⚠ ПРЕДУПРЕЖДЕНИЕ

ОПАСНОСТЬ ПЕРЕГРУЗКИ

Контрольный прибор может быть перегружен и в результате сломаться. Это может привести к **ТЯЖЕЛЫМ ТРАВМАМ** или **СМЕРТИ**.

Используйте **ТОЛЬКО** оригинальные принадлежности. При использовании аксессуаров, которые не были разрешены производителем, также существует опасность того, что они не выдержат нагрузок.

Проверяйте контрольный прибор **ПЕРЕД КАЖДЫМ** использованием на наличие повреждений.

НИКОГДА не используйте контрольный прибор, если он падал, ударялся о другие предметы или если предметы падали на него.

⚠ ПРЕДУПРЕЖДЕНИЕ

ОПАСНОСТЬ НЕПРАВИЛЬНОЙ ЗАТЯЖКИ

Неоткалиброванный контрольный прибор может привести к поломке резьбовых соединений, динамометрического резьбовозавинчивающего инструмента и аксессуаров. Это может привести к **ТЯЖЕЛЫМ ТРАВМАМ** или **СМЕРТИ**.

Используйте **ТОЛЬКО** проверенные и откалиброванные контрольные приборы, см. главу 4.1.

⚠ ПРЕДУПРЕЖДЕНИЕ

Перед использованием контрольного прибора **ВСЕГДА** проверяйте правильную фиксацию контрольного прибора.

Убедитесь в том, что **ВСЕГДА** используете предписанную единицу измерения.

НИКОГДА не используйте контрольный прибор вне допустимого диапазона крутящего момента. Диапазон крутящего момента нанесен ниже дисплея.

ВСЕГДА располагайте динамометрический резьбовозавинчивающий инструмент на креплении под углом 90° .

НИКОГДА не используйте удлинители.

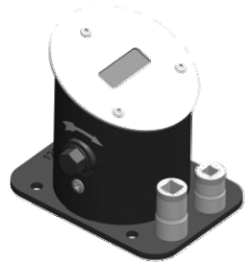
ВСЕГДА используйте разрешенные производителем оригинальные принадлежности.

Если во время проверки неожиданно изменится сопротивление, **НЕМЕДЛЕННО** разгрузите контрольный прибор или динамометрический резьбовозавинчивающий инструмент и проверьте контрольный прибор и динамометрический резьбовозавинчивающий инструмент на наличие повреждений.

ВСЕГДА используйте контрольный прибор для заданного направления вращения. Учитывайте стрелку направления вращения.

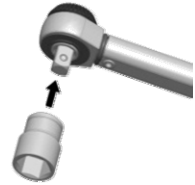
Контрольный прибор отображает прилагаемый крутящий момент, пока не произойдет падение крутящего момента (например, в результате откручивания динамометрического резьбозакручивающего инструмента или прерывания приложения силы). Перед падением на дисплей на короткое время выводится максимально достигнутый крутящий момент. Затем снова отображается актуальный крутящий момент.

Контрольный прибор разработан для проверки динамометрического резьбовозавинчивающего инструмента с вращением по часовой стрелке. Направление вращения четко обозначено на корпусе.



Установите подходящую насадку торцевого ключа в крепление динамометрического резьбоакручивающего инструмента.

Во время установки насадки торцевого ключа в крепление динамометрического резьбовозавинчивающего инструмента обращайте внимание на их правильную фиксацию. Потянув за насадку торцевого ключа, проверьте надежность ее размещения в инструменте.

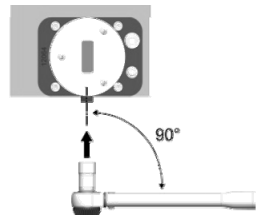


Проверьте, отображается ли на дисплее “0 0 0 0”.

Если на дисплее обнаружите отклонения, проделайте шаги, описанные в пункте 3.4 Юстировка контрольного прибора.

Расположите динамометрический резьбовозавинчивающий инструмент с насадкой торцевого ключа на креплении под углом 90°.

Надвиньте насколько возможно шестигранную вставку на шестигранное крепление.



Медленно и равномерно вращайте динамометрический резьбовозавинчивающий инструмент за рукоятку по направлению стрелки (учитывайте стрелку направления вращения), пока не раздастся щелчок и не почувствуется легкий толчок.



ВСЕГДА после срабатывания динамометрического резьбовозавинчивающего инструмента **НЕМЕДЛЕННО** разгружайте контрольный прибор. На дисплее отобразится максимальное значение крутящего момента.

3.8 Электронное указание о перегрузке

⚠ ПРЕДУПРЕЖДЕНИЕ

ОПАСНОСТЬ НЕПРАВИЛЬНОЙ ЗАТЯЖКИ

Неоткалиброванный контрольный прибор может привести к поломке резьбовых соединений, динамометрического резьбовозавинчивающего инструмента и аксессуаров. Несоблюдение этого условия может привести к получению неправильных резьбовых соединений и, возможно, к **ТЯЖЕЛЫМ ТРАВМАМ** или **СМЕРТИ**, см. главу 4.1.

Для модели 8612-012

При создании слишком высоких крутящих моментов (>13 Нм) электронный контрольный прибор выдает продолжительный звуковой сигнал.

Немедленно разгрузите электронный контрольный прибор. На верхнем и нижнем краю дисплея появляются горизонтальные черточки.

Отсоедините электронный контрольный прибор от электросети, чтобы отключить звуковой сигнал.

ВНИМАНИЕ

Для того чтобы быть уверенным в том, что в результате перегрузки не был поврежден торсионный вал, следует проверить (откалибровать) контрольный прибор. Для этого обратитесь в нашу сервисную службу: www.gedore.com

4. Техобслуживание

4.1 Проверка калибровки

⚠ ПРЕДУПРЕЖДЕНИЕ**ОПАСНОСТЬ НЕПРАВИЛЬНОЙ ЗАТЯЖКИ**

Неоткалиброванный контрольный прибор может привести к поломке резьбовых соединений, динамометрического резьбозавинчивающего инструмента и аксессуаров. Несоблюдение этого условия может привести к получению неправильных резьбовых соединений и, возможно, к **ТЯЖЕЛЫМ ТРАВМАМ** или **СМЕРТИ**.

Используйте **ТОЛЬКО** проверенные и откалиброванные контрольные приборы.

При использовании контрольного прибора воздействуют большие силы. При использовании непроверенных и не прошедших обслуживание контрольных приборов существует опасность того, что они не выдержат нагрузок или покажут неправильные моменты затяжки.

ВСЕГДА соблюдайте следующие указания по технике безопасности, это позволит избежать **ТЯЖЕЛЫХ ТРАВМ** и **СМЕРТИ**.

- **НИКОГДА** не используйте дефектный контрольный прибор.
- **ВСЕГДА** осуществляйте регулярную калибровку контрольного прибора.

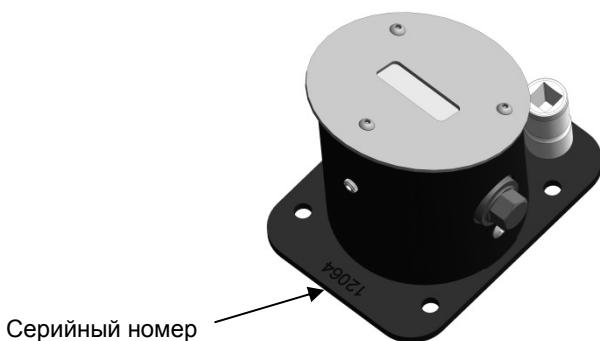
В качестве минимального требования рекомендуется осуществлять калибровку с интервалом один раз в 12 месяцев. Кроме этого, чувствительный динамометрический резьбозавинчивающий инструмент, специальные распоряжения фирмы или требования системы качества могут предписывать значительно более короткие интервалы между проведением калибровок.

ВНИМАНИЕ

НИКОГДА не пропускайте проведение повторных калибровок контрольного прибора. Калибровка, проведенная ненадлежащим образом, может привести к повреждению контрольного прибора.

Калибровку разрешено осуществлять ТОЛЬКО авторизованным специалистам, аккредитованной калибровочной лаборатории или производителю.

К каждому новому контрольному прибору прилагается калибровочный сертификат. На контрольном приборе и в калибровочном сертификате проставлены одинаковые серийные номера.



4.2 Уход и хранение

ВНИМАНИЕ!

Ненадлежащее обращение может привести к повреждению контрольного прибора. ВСЕГДА соблюдайте следующие указания, это позволит избежать повреждений.

НИКОГДА не используйте чистящие средства для очистки контрольного прибора. Они могут привести к повреждению механики или электроники.

Производите чистку всех частей инструмента после каждого применения ТОЛЬКО при помощи сухой и чистой ветоши

НИКОГДА не погружайте контрольный прибор в воду.

Для защиты от коррозии кладите контрольный прибор после использования обратно в упаковку.

Храните контрольный прибор в упаковке в сухом и чистом месте.

5. Принадлежности

В своей программе принадлежностей производитель предлагает разнообразные компоненты, позволяющие использовать инструмент в дополнительных областях применения и делающие работу еще более эффективной и действенной.

6. Экологически безвредная утилизация

Утилизируйте контрольный прибор, принадлежности и упаковочный материал в соответствии с предписаниями законодательства.

7. Производитель

GEDORE TorqueTech GmbH
Rathausstraße 22
42659 Solingen · GERMANY

Тел.: 0049 (0)1804 373668
Факс: 0049 212 888 100

Интернет: www.gedore.com

8. Технические характеристики

Следующие данные служат в качестве ориентира.
В связи с постоянным совершенствованием изделия могут иметь место расхождения.

№ модели	[lbf·in]	[lbf·ft]	[N·m]	Крепление	Адаптер
8612-012	1.8 - 106	-	0.2 – 12.0	Размер ключа 1/4"	1/4" и 3/8"
8612-050	-	0.7 - 40.6	0.9 – 55.0	Размер ключа 10	1/4" и 3/8"
8612-300	-	7 - 236	9.0 – 320.0	Размер ключа 17	3/8" и 1/2"
8612-1000	-	66 - 811	90 – 1,100	Размер ключа 36	1/2" и 3/4"
8612-3150	-	369 - 2323	500 – 3,150	□ 1½"	1"

№ модели	Размеры		Вес	
	[дюйм]	[мм]	[фунт]	[кг]
8612-012	5.91 x 4.92 x 4.96	150 x 125 x 126	≈ 6.6	3
8612-050	5.91 x 4.49 x 4.96	150 x 114 x 126		
8612-300	5.91 x 4.65 x 4.96	150 x 118 x 126		
8612-1000	10.24 x 7.11 x 6.91	260 x 180.5 x 175.6	≈ 22	10
8612-3150	12.60 x 7.99 x 7.76	320 x 203 x 197	≈ 57.3	26

Юстировка (установка нуля)	Автоматически при подаче электропитания
Датчик	Торсионный вал со схемой полного моста DMS
Точность измерения	Макс. ± 1 % / ± 1 разряд соответствующего измеряемого значения
Индикация крутящего момента	ЖК-дисплей
Электропитание	12 В пост. тока
Температурный диапазон	От + 18° до + 28°С температуры окружающей среды
Настройка соединения	RS232, 9600 бод, без четности данных, 8 битов данных, 1 стоповый бит, без управления потоком

İçindekiler

1. Önemli Güvenlik Bilgileri	184
1.1 Güvenlik Uyarıları ve Maddi Hasara Karşı Uyarılar	184
AŞIRI YÜKLENME TEHLİKESİ	185
HATALI CIVATA SIKMA TEHLİKESİ	185
PATLAMA VE YANGIN TEHLİKESİ	185
UYGUN ÇEVRE KOŞULLARI	186
ELEKTRİK AKIMINDAN DOLAYI TEHLİKE	186
1.2 Kişisel Koruyucu Donanım	187
1.3 Amaca Uygun Kullanım	187
1.4 Kullanım	188
1.5 Çalışma Ortamı	188
2. Ürün Tanımı	189
2.1 Teslimat Kapsamı	190
3. Test Cihazının Kullanımı	190
3.1 Kullanılan Kavramlar	191
3.2 Test Cihazının Kurulması	191
3.3 Açma / Kapatma	192
3.3.1 Açma	193
3.3.2 Kapatma	193
3.4 Test Cihazının Darasının Alınması	193
3.5 Ölçü Birimlerinin Değiştirilmesi	194
3.6 RS232 Arabirimi ve PC'ye Bağlanma	194
3.7 Test Cihazıyla Bir Tork Anahtarının Test Edilmesi	195
3.9 Elektronik Aşırı Yük Uyarısı	198
4. Bakım	198
4.1 Kalibrasyon Kontrolü	198
4.2 Bakım ve Muhafaza	200
5. Lokmalar	200
6. Çevreye Saygılı Bertaraf	200
7. Üretici	200
8. Teknik Veriler	201

1. Önemli Güvenlik Bilgileri



Test cihazını kullanmadan önce bu kullanma kılavuzunu okuyup anlayın. Aletin hatalı kullanımı AĞIR YARALANMALARA veya ÖLÜME neden olabilir.

Bu kullanma kılavuzu test cihazının ayrılmaz bir parçasıdır. Bu kullanma kılavuzunu daha sonra da başvurmak üzere güvenli bir yerde saklayın ve test cihazının sizden sonraki kullanıcılarına verin.



Test cihazı yalnız test cihazının güvenli kullanımı konusunda bilgilendirilmiş olan EĞİTİMLİ KULLANICILAR tarafından kullanılabilir. Aletin eğitim alınmaksızın kullanımı AĞIR YARALANMALARA veya ÖLÜME neden olabilir.

Test cihazının ilk kullanımından önce bu kullanma kılavuzunun okunup anlaşıldığından emin olun. Bu kullanma kılavuzu her zaman kullanıcının elinin altında olması ZORUNLUDUR.

1.1 Güvenlik Uyarıları ve Maddi Hasara Karşı Uyarılar

Bu Kullanma Kılavuzundaki uyarılar daha iyi ayırt edilebilmeleri için aşağıdaki gibi sınıflandırılmıştır:

UYARI

Kaçınılmadığı takdirde muhtemelen ölüme veya ağır yaralanmalara neden olabilecek olan tehlikeli bir durum hakkında uyarır.

DİKKAT

Kaçınılmadığı takdirde muhtemelen orta ila hafif yaralanmalara neden olabilecek olan tehlikeli bir durum hakkında uyarır.

DUYURU

Kaçınılmadığı takdirde muhtemelen maddi hasara veya tork anahtarının hasar görmesine neden olabilecek olan tehlikeli bir durum hakkında uyarır.



Bu bir uyarı işaretidir. Olası yaralanma risklerine karşı uyarı amacıyla kullanılır. Olası yaralanma veya ölüm olaylarından kaçınmak için bu simgeyi izleyen tüm güvenlik uyarılarını dikkate alın. Bu simgenin “Uyarı” ve “Dikkat” uyarılarına entegre edilmiş olduğunu dikkate alın.

⚠ UYARI

AŞIRI YÜKLENME TEHLİKESİ

Test cihazı kullanım sırasında aşırı yüke maruz kalarak kırılabilir. Bu durum muhtemelen AĞIR YARALANMALARA veya ÖLÜME neden olabilir.

YALNIZ orijinal lokmaları kullanın. Üretici tarafından onay verilmemiş olan lokmaların kullanılması halinde bunların ortaya çıkan yüklere dayanamaması tehlikesi söz konusudur.

Test cihazını HER KULLANIMDAN ÖNCE hasar olup olmadığı bakımından kontrol edin.

Yere düşen, başka nesnelere vurulan veya üzerine başka nesnelere düşen test cihazlarını ASLA kullanmayın.

⚠ UYARI

HATALI CIVATA SIKMA TEHLİKESİ

Kalibre edilmemiş bir test cihazı vidalı bağlantıların, tork anahtarının ve lokmaların kırılmasına neden olabilir. Bu durum muhtemelen AĞIR YARALANMALARA veya ÖLÜME neden olabilir.

YALNIZ test edilmiş ve kalibre edilmiş test cihazlarını kullanın, bkz. Bölüm 4.1.

⚠ UYARI

PATLAMA VE YANGIN TEHLİKESİ

Test cihazının kullanımı sırasında kıvılcıklar ortaya çıkarak bir patlama veya yangına yol açabilir, muhtemelen AĞIR YARALANMALARA veya ÖLÜME neden olabilir.

Test cihazını ASLA kıvılcıkların patlama veya yangına neden olabileceği ortamlarda kullanmayın.

⚠ UYARI**UYGUN ÇEVRE KOŞULLARI**

Test cihazının 18°C altında veya 28°C üzerinde sıcaklıklara veya %90 üzerinde neme maruz kalması halinde hatalı ölçüm söz konusu olabilir.

Test cihazını aşırı iklim koşullarında kullanmadan önce DAİMA onaylı bir tork ölçüm ekipmanı ile kontrol edin.

⚠ UYARI**ELEKTRİK AKIMINDAN DOLAYI TEHLİKE**

Test cihazını ASLA yüksek elektromanyetik veya iyonize ışımaya olan yerlerde kullanmayın.

Test cihazını ASLA açık alanda veya nemli mekanlarda kullanmayın.

Adaptöre veya soketlere ASLA ıslak ellerle dokunmayın.

Adaptörü YALNIZ üzerinde belirtilen adaptör voltajı ve adaptör frekansı şebeke voltajı ve şebeke frekansı ile uyumlu ise prize takın.

Test cihazını YALNIZ birlikte verilen adaptörle kullanın.

Test cihazına YALNIZ hasarsız adaptörler ve kablolar bağlayın.

Prize takılı olan adaptörlerin üzerini ASLA örtmeyin.

1.2 Kişisel Koruyucu Donanım



Test cihazını kullanırken DAİMA kişisel koruyucu donanımlarınızı kullanın. Test cihazı veya tork anahtarı kırılabilir veya kayabilir. Bu durum muhtemelen AĞIR YARALANMALARA veya ÖLÜME neden olabilir:



Test cihazını kullanırken ortamda uçabilecek parçalara karşı DAİMA KORUYUCU GÖZLÜK (ANSI/ISEA Z87.1-2010) kullanın.

- Test cihazıyla çalışma sırasında ZERRELER havaya fırlatılabilir. Bu durum muhtemelen AĞIR YARALANMALARA veya ÖLÜME neden olabilir.



Test cihazını kullanırken DAİMA KORUYUCU ELDİVEN giyin.

- Test cihazı veya tork anahtarı kırılabilir veya kayabilir. Bu durum parmak ve ellerde AĞIR YARALANMALARA neden olabilir.



Test cihazını kullanırken DAİMA kaymaz tabanlı ve çelik burunlu KORUYUCU AYAKKABI (ASTM F2413-05) giyin.

- Düşen parçalar ayak ve ayak parmaklarında AĞIR YARALANMALARA neden olabilir.

1.3 Amaca Uygun Kullanım



Test cihazı yalnız sağa doğru çalışan tork anahtarlarının test edilmesi için geliştirilmiştir.

- Test cihazını YALNIZ bu uygulama için kullanın.
- Başka amaçlarla her türlü kullanımı muhtemelen AĞIR YARALANMALARA veya ÖLÜME neden olabilir.
- ASLA çocukların test cihazını kullanmalarına izin vermeyin.

1.4 Kullanım

UYARI

Aletin kötüye kullanımı AĞIR YARALANMALARA veya ÖLÜME neden olabilir.

Test cihazının yanlış ve güvensiz kullanımı nedeniyle ortaya çıkabilecek yaralanmalardan ve maddi hasarlardan kaçınmak için aşağıdaki güvenlik uyarılarını dikkate alın:

- Her kullanımdan önce test cihazını, özellikle de adaptörü ve gövde kısmını, ayrıca lokmaları görülebilir bir hasar olup olmadığı bakımından DAİMA kontrol edin.
- ASLA hasarlı bir test cihazını kullanmayın.
- ASLA modifiye edilmiş test cihazını veya lokmaları kullanmayın.
- ASLA test cihazını veya lokmalarını modifiye etmeyin.
- Test cihazını DAİMA öngörülen döndürme yönünde kullanın. Dönüş yönü için ok işaretine dikkat edin.
- DAİMA standarda uygun veya üretici tarafından onay verilmiş lokmalar kullanın.
- Test cihazını DAİMA darbelerden koruyucu ambalajı içinde taşıyın.

1.5 Çalışma Ortamı



Test cihazını DAİMA güvenli bir çalışma ortamında kullanın.

- Çalışma alanı temiz ve derli toplu olmalıdır.
- Çalışma alanı yeterince büyük ve güvenli olmalıdır.
- Test cihazını ASLA toz yoğunluğunun yüksek olduğu bir çalışma ortamında kullanmayın.
- Test cihazını ASLA elektromanyetik veya iyonize ışımının yüksek olduğu bir çalışma ortamında kullanmayın.

2.1 Teslimat Kapsamı

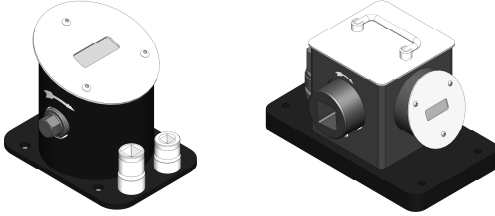
- Elektronik test cihazı
- Adaptör
- 100 - 240 V; 50 - 60 Hz; maks. 500 mA (tip etiketine dikkat edin!)
- 2 ad. lokma anahtar (8612-3150 için 1 ad. büyütme adaptörü) (anahtar ebadı ve başlık model büyüklüğüne göre değişir)
- Kullanma kılavuzu
- Test sertifikası
- Sevk ambalajı
- RS232 kablo

3. Test Cihazının Kullanımı

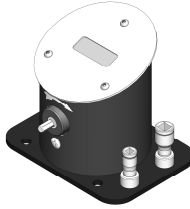


Test cihazını kullanmadan ÖNCE DAİMA önemli güvenlik bilgilerini (Bölüm 1) okuyun.

Bu kullanma kılavuzu aşağıdaki ürün çeşitlerinin kullanımını tanımlamaktadır:



- Yandan dış altıköşe veya iç kare başlıklı test cihazı



- Önden dış altıköşe başlıklı test cihazı

Test işlemi şematik olarak, tork anahtarı başlığı (dış altıköşe) yanda olan test cihazı üzerinde gösterilecektir. Tork anahtarı başlığı önde olan test cihazlarının test işlemindeki çalışma adımları farklı değildir. Döndürme yönü gövde üzerinde açıkça görülebilir şekilde işaretlenmiştir.

3.1 Kullanılan Kavramlar

Dara alma:	Sıfıra eşitleme; tork "0" değerine getirilir.
İlk tepe:	Atlama noktası algılama (tork anahtarının çözme torku gösterilir).
Kalibrasyon:	Ölçme hassasiyetinin kontrolü.
Tork anahtarı:	DIN EN ISO 6789 Tip II'ye uygun boşalan tork anahtarı.

3.2 Test Cihazının Kurulması

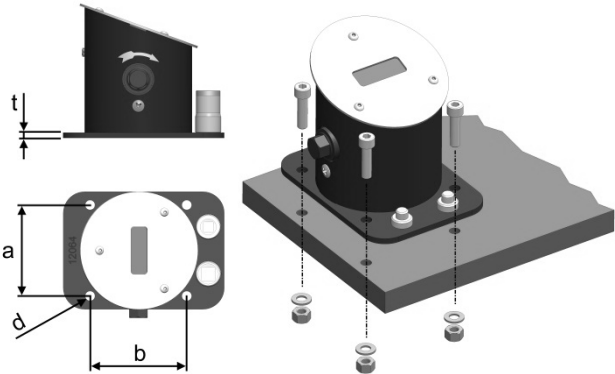
⚠ UYARI

Test cihazını ASLA sağlam bir altlık üzerine uygun sabitleme araçlarıyla sabitlemeden kullanmayın. Altlığın test cihazının kullanımı sırasında devrilmemesine DAİMA dikkat edin.

Test cihazını ASLA açık alanda veya nemli mekanlarda kullanmayın.

Uygun bir altlık üzerine sabitleme için M8 boyutunda, dayanım sınıfı en az 8.8 (8612-3150 için M10 ve dayanım sınıfı 8.8) olan altköşe başlı veya allen civataların uygun pullar ve somunlarla kullanılmasını öneririz.

Cihazı DAİMA test cihazı, tork anahtarı ve altlık arasında sıkışma noktası olmayacak şekilde yerleştirin.



Model No.	a		b	
	[inç]	[mm]	[inç]	[mm]
8612-012	3.35	85	3.55	90
8612-050	3.35	85	3.55	90
8612-300	3.35	85	3.55	90
8612-1000	4.52	115	6.89	175
8612-3150	4.52	115	11.02	280

Model No.	d		t	
	[inç]	[mm]	[inç]	[mm]
8612-012	0.35	9	0.20	5
8612-050	0.35	9	0.20	5
8612-300	0.35	9	0.20	5
8612-1000	0.35	9	0.40	10
8612-3150	0.43	11	1.18	30

3.3 Açma / Kapatma

⚠ UYARI

Test cihazını açmadan önce DAİMA tüm lokmaları, tork anahtarlarını ve diğer parçaları başlıktan çıkarın. Buna uyulmaması hatalı vidalı bağlantılarının yapılmasına ve muhtemelen AĞIR YARALANMALARLA veya ÖLÜME neden olabilir.

⚠ UYARI

ELEKTRİK AKIMINDAN DOLAYI TEHLİKE

Test cihazını ASLA yüksek elektromanyetik veya iyonize ışımaya olan yerlerde kullanmayın.

Test cihazını ASLA açık alanda veya nemli mekanlarda kullanmayın.

Adaptöre veya soketlere ASLA ıslak ellerle dokunmayın.

Adaptörü YALNIZ üzerinde belirtilen adaptör voltajı ve adaptör frekansı şebeke voltajı ve şebeke frekansı ile uyumlu ise prize takın.

Test cihazını YALNIZ birlikte verilen adaptörle kullanın.

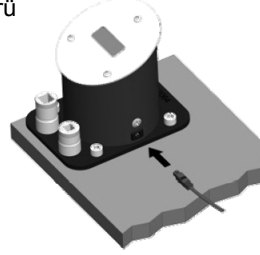
Test cihazına YALNIZ hasarsız adaptörler ve kablolar bağlayın.

Prize takılı olan adaptörlerin üzerini ASLA örtmeyin.

3.3.1 Açma

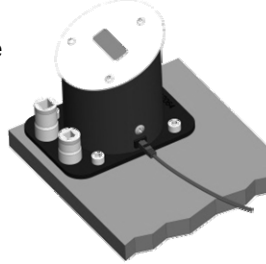
Adaptörün bağlantı ablosunu test cihazına takın. Şimdi adaptörü prize takın.

Test cihazı otomatik olarak açılır. Otomatik olarak dara alma gerçekleşir. Ekranda "0 0 0 0" (modeline göre ondalık noktasıyla) değeri gösterildiğinde cihaz çalışmaya hazırdır.



3.3.2 Kapatma

Test cihazını kapatmak için önce adaptörü prizden çıkarın. Ardından bağlantı kablosunu test cihazından çıkarabilirsiniz.



3.4 Test Cihazının Darasının Alınması

Test cihazı açıldıktan sonra ekranda "0 0 0 0" değeri gösterilir. Test cihazı yüksüz haldeyken başka bir değer gösteriliyorsa yeniden test cihazının darası alınmalıdır. Bunun için adaptörü prizden çıkarın ve 5 saniye sonra yeniden takın. Otomatik dara alma işlemi yeniden başlatılır.

3.5 Ölçü Birimlerinin Değiştirilmesi

DUYURU

Test cihazı “N·m” ve “lbf·ft” (8612-012 modelinde “lbf·in”) birimleriyle kullanılabilir.

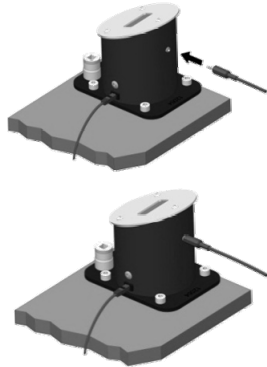
Test cihazı açıldıktan sonra güncel ölçü birimi, ekranda, basılı olan ölçü birimlerinin yanında bir çubuk ile gösterilir.

En az 2 saniyelğine minimum sol tork (bkz. aşağıdaki tablo) uygulayarak ölçü birimini değiştirebilirsiniz. Ekrandaki çubuk cihaz kapağı üzerine basılı olan alternatif ölçü biriminin karşısına gelir.

Minimum sol tork		
Model No.	[lbf·ft]	[N·m]
8612-012	> 13.3	> 1.5
8612-050	> 3.7	> 5
8612-300	> 11.1	> 15
8612-1000	> 18.5	> 25
8612-3150	> 110.6	> 150

3.6 RS232 Arabirimi ve PC'ye Bağlanma

Test cihazını bir PC'nin RS232 arabirimine bağlayabilirsiniz. Bu sayede test değerleri bilgisayara aktarılabilir. Bağlantı için cihazla birlikte verilen bağlantı kablosunu kullanın (9 pinli Sub-D soket / 3,5 mm 3 pinli jak). Test cihazıyla iletişim için işletim sisteminize ve donanımınıza uygun bir terminal programkullanın. Test cihazındaki arabirim her zaman aktiftir ve kapatılamaz.



Bağlantı ayarlarını 8 Teknik Veriler başlığı altında bulabilirsiniz.

Standart ASCII formatındaki çıktı. Örnek çıktı:

```
***                GEDORE                ***
DREMOTEST-E 8612-050 SNR. 99999
SCHLUESSEL-/Wrench-No.: _____
No.                MESSWERT/Value
001 ----- 02.68 N.m
002 ----- 01.02 N.m
003 ----- 01.44 N.m
```

Başlık ve ölçüm sayacı cihaz her güç kaynağına bağlandığında yeniden başlatılır.

3.7 Test Cihazıyla Bir Tork Anahtarının Test Edilmesi

UYARI

AŞIRI YÜKLENME TEHLİKESİ

Test cihazı kullanım sırasında aşırı yüke maruz kalarak kırılabilir. Bu durum muhtemelen AĞIR YARALANMALARLA veya ÖLÜME neden olabilir.

YALNIZ orijinal lokmaları kullanın. Üretici tarafından onay verilmemiş olan lokmaların kullanılması halinde bunların ortaya çıkan yüklerle dayanamaması tehlikesi söz konusudur.

Test cihazını HER KULLANIMDAN ÖNCE hasar olup olmadığı bakımından kontrol edin.

Yere düşen, başka nesnelere vurulan veya üzerine başka nesnelere düştüğü test cihazlarını ASLA kullanmayın.

UYARI

HATALI CIVATA SIKMA TEHLİKESİ

Kalibre edilmemiş bir test cihazı vidalı bağlantıların, tork anahtarının ve lokmaların kırılmasına neden olabilir. Bu durum muhtemelen AĞIR YARALANMALARLA veya ÖLÜME neden olabilir.

YALNIZ test edilmiş ve kalibre edilmiş test cihazlarını kullanın, bkz. Bölüm 4.1.

⚠ UYARI

Test cihazını kullanmadan önce DAİMA test cihazının doğru şekilde sabitlenmiş olduğunu kontrol edin.

DAİMA öngörülen ölçü birimini kullanmakta olduğunuzdan emin olun.

Test cihazını ASLA izin verilen tork aralığının dışında kullanmayın. Tork aralığı ekranın alt kısmına basılıdır.

Tork anahtarını başlığa DAİMA 90° açıyla yerleştirin. ASLA uzatma parçası kullanmayın.

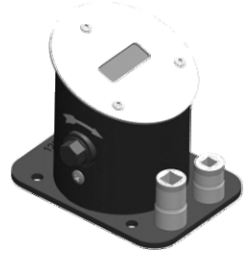
DAİMA üretici tarafından onaylanmış olan orijinal aksesuarlar kullanın.

Test sırasında direnç beklenmedik şekilde değişirse test cihazına ya da tork anahtarına güç uygulamayı DERHAL bırakın ve test cihazında ve tork anahtarında hasar olup olmadığını kontrol edin.

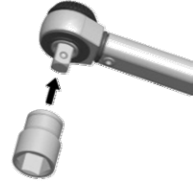
Test cihazını DAİMA öngörülen döndürme yönünde kullanın. Dönüş yönü için ok işaretine dikkat edin.

Test cihazı, uygulanan tork değerini, torkta düşüş oluncaya kadar gösterir (örn. tork anahtarı boşalıncaya veya güç uygulanması bırakılıncaya kadar). Tork düşüşünden önce ulaşılan maksimum tork değeri ekranda kısa bir süre gösterilir. Ardından yeniden uygulanmakta olan anlık tork gösterilir.

Test cihazı yalnız sağa doğru çalışan tork anahtarlarının test edilmesi için geliştirilmiştir. Döndürme yönü gövde üzerinde açıkça görülebilir şekilde işaretlenmiştir.

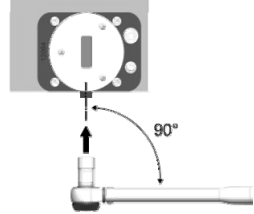


Tork anahtarının adaptörüne uygun olan lokmayı takın. Lokmayı tork anahtarının kare adaptörüne takarken tutucu elemanların tam oturmasına dikkat edin. Lokmayı belirgin bir şekilde çekerek güvenli bir şekilde takıldığını kontrol edin.

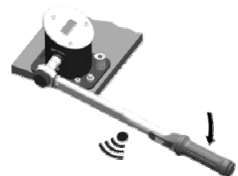
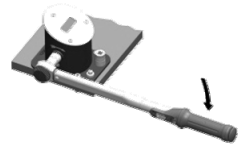


Ekranda "0 0 0 0" değerinin gösterilip gösterilmediğini kontrol edin. Eğer ekranda farklı bir değer gösteriliyorsa lütfen 3.4 Dara Alma başlığı altında tanımlandığı gibi hareket edin.

Tork anahtarını lokmayla birlikte 90° açıyla test cihazının başlığına yerleştirin. Altıköşe lokmayı mümkün olduğunca sonuna kadar altıköşe başlık üzerine oturtun.

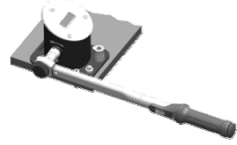


Tork anahtarını sapından tutarak yavaşça ve eşit ölçüde ok yönünde (döndürme yönünü gösteren ok işaretine dikkat edin), klik sesi duyulup hafif bir titreme hissedilinceye kadar döndürün.





Tork anahtarı boşaldıktan sonra DAİMA test cihazına güç uygulamayı DERHAL bırakın. Maksimum tork değeri ekranda gösterilir.



3.8 Elektronik Aşırı Yük Uyarısı

UYARI

HATALI CIVATA SIKMA TEHLİKESİ

Kalibre edilmemiş bir test cihazı vidalı bağlantıların, tork anahtarının ve lokmaların kırılmasına neden olabilir. Buna uyulmaması hatalı vidalı bağlantıların yapılmasına ve muhtemelen AĞIR YARALANMALARLA veya ÖLÜME neden olabilir. (Bölüm 4.1)

Model 8612-012 için

Çok yüksek torklar (>13 Nm) uygulandığında, elektronik test cihazı sürekli bir uyarı sesi verir.

Elektronik test cihazına güç uygulamayı derhal bırakın. Ekranın üst ve alt kenarında yatay çizgiler belirir. Uyarı sesini kapatmak için elektronik test cihazını güç kaynağından ayırın.

DUYURU

Aşırı yük sonucunda torsiyon milinde herhangi bir hasar oluşmadığından emin olmak için test cihazının kontrol edilmesini (kalibre edilmesini) sağlamalısınız. Bunun için lütfen servisimize başvurun: www.gedore.com

4. Bakım

4.1 Kalibrasyon Kontrolü

UYARI

HATALI CIVATA SIKMA TEHLİKESİ

Kalibre edilmemiş bir test cihazı vidalı bağlantıların, tork anahtarının ve lokmaların kırılmasına neden olabilir. Buna uyulmaması hatalı vidalı bağlantıların yapılmasına ve muhtemelen AĞIR YARALANMALARLA veya ÖLÜME neden olabilir.

YALNIZ test edilmiş ve kalibre edilmiş test cihazlarını kullanın.

Test cihazının kullanımı sırasında büyük kuvvetler etki eder. Kontrol edilmemiş ya da bakımı yapılmamış test cihazlarında, bunların bu yüklere dayanamaması veya hatalı sıkma torklarının gösterilmesi tehlikesi söz konusudur. AĞIR YARALANMALARDA ve ÖLÜMDEN kaçınmak için DAİMA aşağıdaki güvenlik uyarılarına dikkat edin.

- ASLA hatalı bir test cihazını kullanmayın.
- Test cihazının DAİMA düzenli olarak kalibre edilmesini sağlayın.

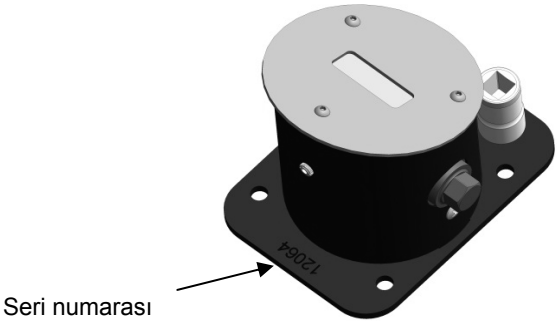
Asgari şart olarak her 12 ayda bir kalibre edilmesi önerilir. Bundan başka, hassas tork anahtarları için şirket içi talimatlar veya kalite şartları daha kısa kalibrasyon periyotlarını gerektirebilir.

DUYURU

Test cihazının yeniden kalibre edilmesi işlemini ASLA ihmal etmeyin. Uygunsuz kalibrasyon test cihazının hasar görmesine yol açabilir.

Kalibrasyon YALNIZ yetkili uzman personel, akredite kalibrasyon laboratuvarı veya üretici tarafından yapılabilir.

Her yeni test cihazıyla birlikte kalibrasyon sertifikası verilmektedir. Test cihazı ve kalibrasyon sertifikası özdeş seri numaralarıyla işaretlenmiştir.



4.2 Bakım ve Muhafaza

DUYURU

Uygunsuz kullanım test cihazının zarar görmesine yol açabilir. Zararlardan kaçınmak için DAİMA aşağıdaki uyarıları dikkate alın:

Test cihazını temizlemek için ASLA temizlik maddesi kullanmayın. Bunlar mekanik veya elektronik aksamın bozulmasına neden olabilir.

Kullandıktan sonra parçaları YALNIZ kuru ve temiz bir bezle temizleyin.

Test cihazını ASLA suya daldırmayın.

Test cihazını kullandıktan sonra, korozyondan korumak için ambalajının içine geri koyun.

Test cihazını ambalajı içinde kuru ve temiz bir yerde muhafaza edin.

5. Lokmalar

Üretici lokma ürünleriyle başka uygulama alanlarını da kapsayan ve çalışmayı daha etkili ve verimli kılan çok sayıda parça sunmaktadır.

6. Çevreye Saygılı Bertaraf

Test cihazını, lokmaları ve ambalaj malzemesini yasal mevzuata uygun olarak bertaraf edin.

7. Üretici

GEDORE TorqueTech GmbH
Rathausstraße 22
42659 Solingen · GERMANY

Tel.: 0049 (0)1804 373668
Faks: 0049 212 888 100

İnternet: www.gedore.com

8. Teknik Veriler

Aşağıdaki veriler oryantasyon amaçlıdır. Ürünün teknik geliştirmelerinin devam etmesinden dolayı farklılıklar olabilir.

Model No.	[lbf·in]	[lbf·ft]	[N·m]	Başlık	Adaptör
8612-012	1.8 - 106	-	0.2 – 12.0	Anahtar ebadı 1/4"	1/4" ve 3/8"
8612-050	-	0.7 - 40.6	0.9 – 55.0	Anahtar ebadı 10	1/4" ve 3/8"
8612-300	-	7 - 236	9.0 – 320.0	Anahtar ebadı 17	3/8" ve 1/2"
8612-1000	-	66 - 811	90 – 1,100	Anahtar ebadı 36	1/2" ve 3/4"
8612-3150	-	369 - 2323	500 – 3,150	□ 1½"	1"

Model No.	Boyutlar		Ağırlık	
	[inç]	[mm]	[lb]	[kg]
8612-012	5.91 x 4.92 x 4.96	150 x 125 x 126	≈ 6.6	3
8612-050	5.91 x 4.49 x 4.96	150 x 114 x 126		
8612-300	5.91 x 4.65 x 4.96	150 x 118 x 126		
8612-1000	10.24 x 7.11 x 6.91	260 x 180.5 x 175.6	≈ 22	10
8612-3150	12.60 x 7.99 x 7.76	320 x 203 x 197	≈ 57.3	26

Dara alma (sıfırlama)	Güç kaynağı bağlandığında otomatik olarak
Ölçüm değeri vericisi	DMS tam köprülü devreli torsiyon mili
Ölçme hassasiyeti	Ölçüm değerine göre maks. ± %1 / ± 1 hane
Tork göstergesi	LCD ekran
Güç kaynağı	12 V DC (doğru akım)
Sıcaklık aralığı	+ 18°C ilâ + 28°C ortam sıcaklığı
Bağlantı ayarları	RS232, 9600 Baud, paritesiz, 8 bit, 1 stop bit, akış kontrolü yok

目录

1. 重要的安全信息	203
1.1 关于财产损失的安全须知和警告	203
超负荷的危险	204
螺钉上紧错误带来的危险	204
爆炸和火灾危险	204
许可的环境条件	204
电流导致的危险	205
1.2 个人防护用品	205
1.3 规定用途	205
1.4 操作	206
1.5 工作环境	206
2. 产品说明	207
2.1 供货范围	208
3. 检测仪的使用	208
3.1 所用的概念	209
3.2 检测仪的安置	209
3.3 接通和关闭电源	210
3.3.1 接通电源	211
3.3.2 断开电源	211
3.4 检测仪的配衡	211
3.5 测量单位的切换	212
3.6 电脑的 RS232 接口和连接	212
3.7 采用检测仪检测扭矩扳手	213
3.8 电子部件过载说明	215
4. 维护	216
4.1 校准的检查	216
4.2 维护和存放	217
5. 配件	217
6. 环保处理	217
7. 制造商	217
8. 技术参数	218

1. 重要的安全信息



在使用检测仪前请阅读并理解操作说明书。错误使用会导致严重人身伤害或死亡。

本操作说明书是检测仪的组成部分。请将检测仪操作说明书妥善保管，以便日后使用，并将其交接给后继的使用者。



检测仪只能由经培训的使用者在安全指导后来操作。未经培训者私自操作会导致严重人身伤害或死亡。

请确保：在首次使用检测仪前已阅读并理解操作说明书。操作说明书**必须**随时可供使用者参考。

1.1 关于财产损失的安全须知和警告

本说明书中的警告提示为便于区分进行了如下分类：



警告

若不注意避免，可能会出现危险情况，导致死亡或引起严重人身伤害。



小心

若不注意避免，可能会出现危险情况，引起轻度或中度人身伤害。



注意

若不注意避免，可能会出现危险情况，导致财产损失或扭矩扳手本身的损坏。



这是警告标识。用于警告潜在的人身伤害危险。请遵守所有符号代表的安全须知，避免人身伤害或死亡的发生。请注意，本符号已成为警告和小心提示的组成部分。

警告

超负荷的危险

检测仪在使用过程中可发生超负荷现象，并由此导致折断。这会引发严重人身伤害或导致死亡。

请仅使用原厂生产的配件，非原厂认可的配件同样会产生扭矩扳手无法承受超负荷的现象。

每次使用前请检查检测仪是否受损。

切勿使用被摔、受到敲击或者敲击过其他物体的检测仪。

警告

螺钉上紧错误带来的危险

未校准过的检测仪会引起螺丝连接、扭矩扳手和配件断裂。这会导致严重人身伤害或死亡。

请仅使用测试和校准过的检测仪，见章节 4.1。

警告

爆炸和火灾危险

在使用检测仪时可能产生火花，这会导致爆炸或火灾，以致造成严重人身伤害或死亡。

请切勿在易爆易燃的环境中使用检测仪。

警告

许可的环境条件

当检测仪置于 18° C 以下、28° C 以上温度或 90%以上空气湿度的环境中，会导致测量错误。

在极端环境条件下，在使用前请务必使用经认可的扭矩测量设备来检查检测仪。

 警告

电流导致的危险

请切勿在电磁或电离辐射强的区域使用检测仪。

请切勿在室外或潮湿的房间使用检测仪。

请切勿用湿手触碰电源或插接头。

只有当规定的电源电压和频率与电网的电压和频率相符时，才能将电源与电网相连。

请仅使用检测仪原配的电源件。

请仅使用未损坏的电源和引线来连接检测仪。

请切勿遮盖连接的电源。

1.2 个人防护用品



使用检测仪时，请始终穿着个人防护用品。检测仪或扭矩扳手可能会折断或滑脱。这会导致严重人身伤害或死亡：



在使用检测仪时，为了防止飞出的物件伤害眼睛，请始终佩戴护眼用具(ANSI/ISEA Z87.1-2010)。

- 操作检测仪时，可能会造成微粒飞溅。这可能导致严重人身伤害或死亡。



使用检测仪时请始终穿戴安全手套。

- 检测仪或扭矩扳手可能会折断或滑脱。这会对手部造成严重伤害。



使用检测仪时请始终穿著带防滑底和钢头帽的安全鞋(ASTM F2413-05)。

- 掉落的工件可能会对脚部造成**严重伤害**。

1.3 规定用途



本检测仪是为检测右旋松开的扭矩扳手而开发的。

- 请仅将检测仪用作上述用途。
- 任何其他使用他任何用途会导致**严重人身伤害或死亡**。
- 请切勿让儿童使用检测仪。

1.4 操作

警告

错误的操作会导致严重人身伤害或死亡。

为避免不适当、不安全地操作检测仪而造成人身伤害和财产损失，请遵照以下安全注意事项：

- 使用前请务必检查检测仪，特别是承接件、外壳和配件是否完好无损。
- 请切勿使用已受损的检测仪。
- 请切勿使用任何改装的检测仪及其配件。
- 请切勿改动检测仪和配件。
- 请始终按照所示转动方向使用检测仪。请注意转动方向箭头。
- 请**始终**只握扭矩扳手的手柄中部。
- 请务必采用防碰撞包装运输检测仪。

1.5 工作环境

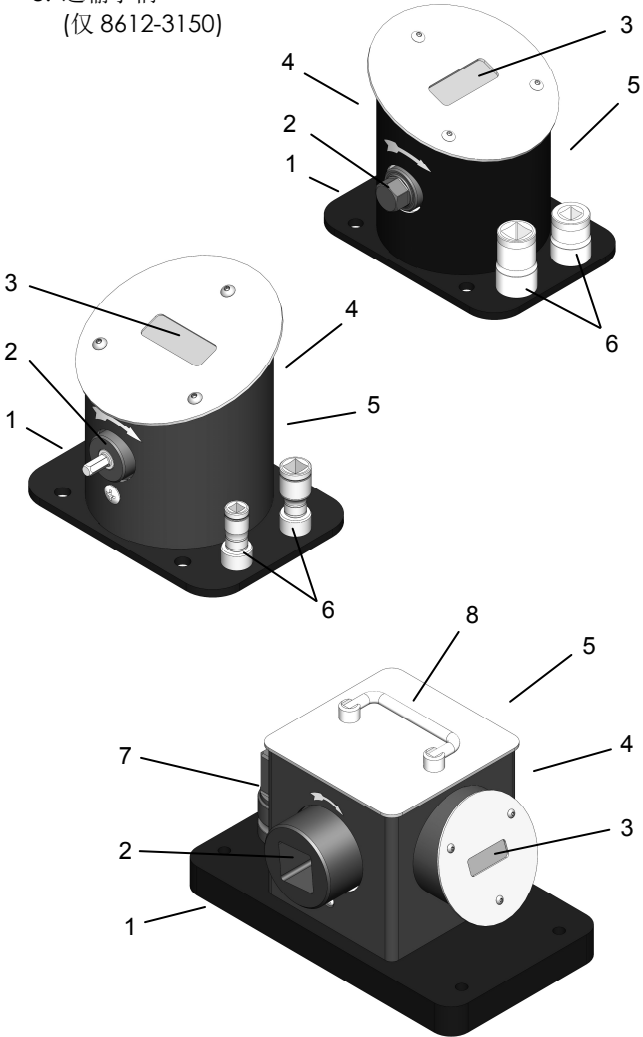


请始终在安全的工作环境下使用检测仪。

- 工作环境须干净整洁。
- 工作环境须宽敞安全。
- 请切勿在高尘埃的工作环境中使用检测仪。
- 请切勿在高强度电磁或电离辐射的工作环境中使用检测仪。

2. 产品说明

1. 底板
2. 驱动器
3. 显示屏
4. 插接件/电源
5. RS232 接口
6. 插接扳手嵌件
7. 扩大件
8. 运输手柄
(仅 8612-3150)



2.1 供货范围

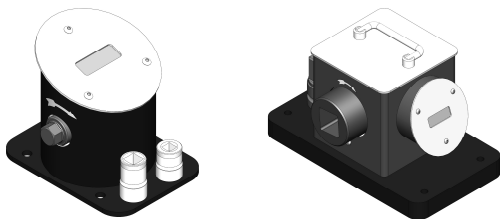
- 电子检测仪
- 电源
- 100 - 240 V; 50 - 60 Hz; 最高 500 mA(请注意铭牌!)
- 2 个插接扳手嵌件(1 个 8612-3150 扩大件)
(对面宽度和驱动器按照制造尺寸)
- 操作说明
- 检测证书
- 运输包装
- RS232 线缆

3. 检测仪的使用

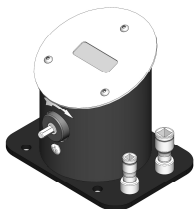


使用检测仪前请务必阅读重要的安全信息(章节 1)。

本操作说明书叙述了以下产品类型的使用方法：



- 检测仪带侧面外六角承接件或内四角承接件



- 检测仪带正面外六角承接件

检测程序由带侧面扭矩扳手承接件(外六角)的检测仪进行图示。检测程序步骤与带正面承接件的程序步骤没有区别。转动方向已在壳体上清晰标明。

3.1 所用的概念

Tarierung(配衡): 零点平衡, 扭矩设为“0”

第一峰值: 断点识别
(扭矩扳手的释放扭矩将显示出来)。

校准: 测量精度检测。

扭矩扳手: 释放式扭矩扳手, 符合 DIN EN ISO 6789 II 类标准。

3.2 检测仪的安置

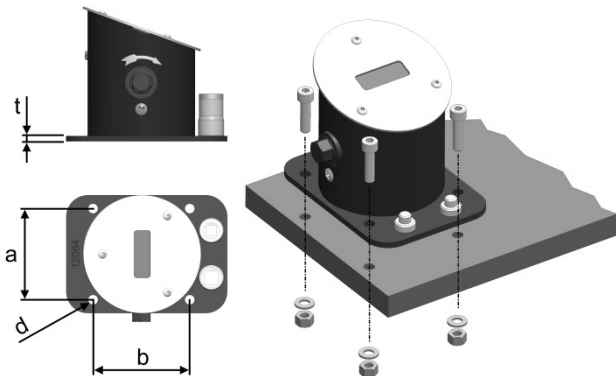
⚠ 警告

如果检测仪未采用恰当的固定件固定在稳定的底板上时, 请勿使用检测仪。请始终注意, 底板在检测仪使用过程中不得翻倒。

请切勿在室外或潮湿的房间使用检测仪。

我们建议: 在采用适合的底板进行固定时, 请使用最低强度等级为 8.8 的 M8 号六角或圆柱头螺钉(4 个)(8612-3150 应使用最低强度等级为 8.8 的 M10 螺钉)以及恰当的垫片和螺母。

请始终妥善安置仪器, 以免在检测仪、扭矩扳手和底板之间出现挤压处。



型号	a		b	
	[inch]	[mm]	[inch]	[mm]
8612-012	3.35	85	3.55	90
8612-050	3.35	85	3.55	90
8612-300	3.35	85	3.55	90
8612-1000	4.52	115	6.89	175
8612-3150	4.52	115	11.02	280

型号	d		t	
	[inch]	[mm]	[inch]	[mm]
8612-012	0.35	9	0.20	5
8612-050	0.35	9	0.20	5
8612-300	0.35	9	0.20	5
8612-1000	0.35	9	0.40	10
8612-3150	0.43	11	1.18	30

3.3 接通和关闭电源

警告

在接通检测仪电源前，请始终将所有配件、扭矩扳手和其他部件从承接件上取出。如果不遵守此项规定，可导致螺钉连接错误，且可能导致严重人身伤害或死亡。

警告

电流导致的危险

请勿在电磁或电离辐射强的区域使用检测仪。

请勿在室外或潮湿的房间使用检测仪。

请勿用湿手触碰电源或插接头。

只有当规定的电源电压和频率与电网的电压和频率相符时，才能将电源与电网相连。

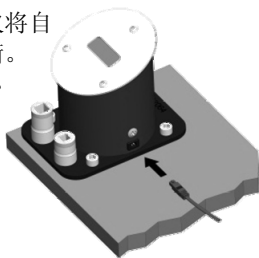
请仅使用检测仪原配的电源配件。

请仅使用未损坏的电源和引线来连接检测仪。

请勿遮盖连接的电源。

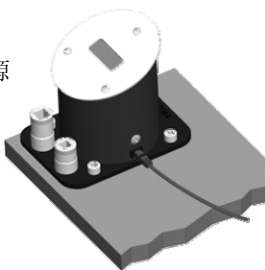
3.3.1 接通电源

请将电源的连接线与检测仪相连。现在将电源插入插座。检测仪将自动接通电源。随后将自动进行配衡。当显示出"0000"(有些型号有小数点)时,仪器准备就绪。



3.3.2 断开电源

如欲断开检测仪电源,请先将电源插头拔下。然后可将连接线从检测仪上取下。



3.4 检测仪的配衡

检测仪接通电源后,显示屏上将显示"0000"。如果检测仪在未承受负荷的状态下显示其他数值,则检测仪须重新配衡。为此请将电源插头拔下并等待至少5秒后重新插上。自动配衡将重新启动。

3.5 测量单位的切换

注意

检测仪可在“N·m”和“lbf·ft” (8612-012 为“lbf·in”) 两个单位之间进行切换。

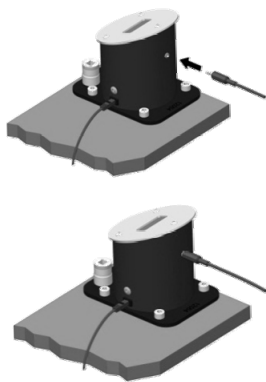
最低左扭矩		
型号	[lbf·ft]	[N·m]
8612-012	> 13.3	> 1.5
8612-050	> 3.7	> 5
8612-300	> 11.1	> 15
8612-1000	> 18.5	> 25
8612-3150	> 110.6	> 150

3.6 电脑的 RS232 接口和连接

您可将检测仪连接至电脑上的 RS232 接口。这样便可将检测值传输至电脑。连接时请使用原配的连接线(9 针, Sub-D 插座/3.5 mm 3 针插头)。

与检测仪的通讯请使用一款适合您操作系统和硬件的终端程序。检测仪上的接口一直处于激活状态, 且无法关闭。

连接设置请见 8 技术参数。



标准 ASCII 格式输出。输出示例：

```

***          GEDORE          ***
DREMOTEST-E 8612-050 SNR. 99999
扳手号/Wrench-No.:_____
号          测量值/Value
001 ----- 02.68 N.m
002 ----- 01.02 N.m
003 ----- 01.44 N.m

```

页眉和测量数字在接入电源后重新开始。

3.7 采用检测仪检测扭矩扳手

警告

超负荷的危险

检测仪在使用过程中可发生超负荷现象，并由此导致折断。这会导致严重人身伤害或死亡。

请仅使用原厂配件。使用未经原厂认可的配件同样会产生扭矩扳手无法承受负荷的现象。

每次使用前请检查检测仪是否受损。

切勿使用被摔、受到敲击或者敲击过其他物体的检测仪。

警告

螺钉上紧错误带来的危险

未校准过的检测仪会引起螺钉、扭矩扳手和配件断裂。这会导致严重人身伤害或死亡。

请仅使用经测试和校准过的检测仪，见章节 4.1。

警告

在使用检测仪之前，请务必检查检测仪是否固定稳妥。

请始终确保您使用规定单位。

请切勿在许可扭矩范围之外应用检测仪。扭矩范围印于显示屏的下方。

请将扭矩扳手始终以 90 度角置于承接件上。

请切勿使用延长件。

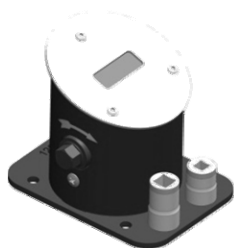
请始终使用厂家认可的原装配件。

如果在检测时阻力意外发生变化，请立即为检测仪或扭矩扳手卸载，并检查检测仪和扭矩扳手是否损坏。

请始终按照所示转动方向使用检测仪。请注意转动方向箭头。

检测仪显示施加的扭矩，直至扭矩下降为止(如通过释放扭矩扳手或中断力传递)。下降之前达到的最大扭矩将在显示屏上短暂显示出来。接着当前施加扭矩将再次显示出来。

本检测仪是为检测右旋松开的扭矩扳手而开发的。转动方向已在壳体上清晰标明。



请将适合的插接扳手嵌件插在扭矩扳手承接件上。在插接扳手嵌件插接时，请注意扭矩扳手的承接件卡入捕捉件内固定。请拉一拉插接扳手嵌件，检查连接是否牢靠。

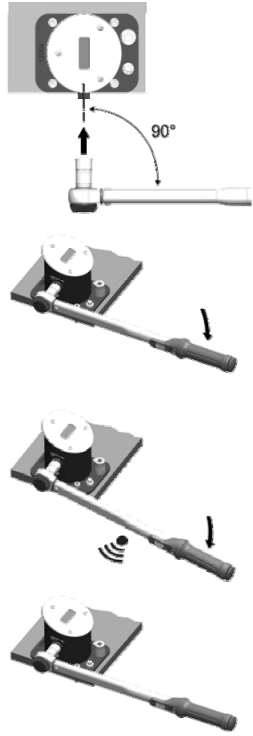


请检查显示屏是否显示“0000”。

如果显示屏显示的不同，请按照 3.4 检测仪配衡的说明进行操作。

请将扭矩扳手和插接扳手嵌件以90度角插在检测仪的承接件上。请将六角嵌件尽可能深地插在六角承接件上。

请缓慢、均匀地沿箭头方向转动扭矩扳手的手柄(请注意转动方向箭头),直至听到咔哒声并感到轻微的震动为止。



请务必在释放扭矩扳手后立即卸载检测仪。最大扭矩将在显示屏上显示出来。

3.8 电子部件过载说明

⚠ 警告

螺钉上紧错误带来的危险

未校准过的检测仪会引起螺钉、扭矩扳手和配件断裂。如果不遵守此项规定,可导致螺钉连接错误,且可能导致严重人身伤害或死亡,见章节 4.1。

适用8612-012型:

在导入过高扭矩(>13 Nm)时,电子检测仪会发出持续的信号音。请立即将电子检测仪卸载。在显示屏的上缘和下缘将显示出水平线。

请将电子检测仪断电,以便关闭信号音。

注意

为了确保扭矩轴过载后未受损坏,应检查检测仪(校准)。为此请联系我们的客服: www.gedore.com

4. 维护

4.1 校准的检查

⚠ 警告

螺钉上紧错误带来的危险

未校准过的检测仪会引起螺钉、扭矩扳手和配件断裂。如果不遵守此项规定，可导致螺钉连接错误，且可能导致严重人身伤害或死亡。

请仅使用测试和校准过的检测仪。

使用过程中，检测仪会产生强大应力。如果检测仪使用前没有经过检查或校验，将有其无法承受负荷或错误显示拧紧扭矩的可能性。请始终遵守下列安全须知，避免导致严重人身伤害或死亡：

- 请切勿使用有故障的检测仪。
- 请始终定期对检测仪进行校准。

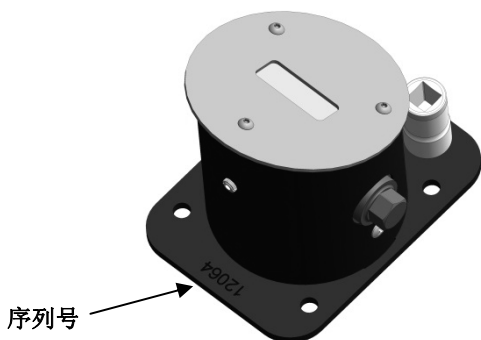
我们建议：至少每 12 个月进行一次校准。此外，根据扭矩扳手的精密程度、公司特有规定或品质要求，校准的时间间隔可能明显更短。

注意

请切勿错过重新校准检测仪的作业。不正规的校准可能造成检测仪的损坏。

校准只能由经授权的专业人员、授信的校准实验室或制造商来进行。

每个新检测仪均附有校验证书。检测仪和校验证书都有统一的序列号。



4.2 维护和存放

注意

不正规的操作可能造成检测仪的损坏请始终遵守下列须知，避免损坏：

请切勿使用清洁剂清洁检测仪。这可能造成机械部件和电子部件的损坏。

每次使用后**仅**可使用干燥清洁的抹布清洁所有部件。

请切勿将检测仪浸没在水中。

使用过后，请将检测仪放回到外包装中，以防腐蚀。

将存放检测仪的外包装储存在干燥清洁的环境中。

5. 配件

制造商可以为消费者提供其他用途的各类产品配件，以提高工作效率和效益。

6. 环保处理

检测仪、配件及包装的废弃处理请遵照法律规定。

7. 制造商

GEDORE TorqueTech GmbH

地址：Rathausstrasse 22

42659 Solingen (索林根) · GERMANY

电话：0049 (0)1804 373668

传真：0049 212 888 100

网站：www.gedore.com

8. 技术参数

以下参数供遵照执行。由于产品不断更新，参数不同在所难免。

型号	[lbf·in]	[lbf·ft]	[N·m]	承接件	适配器
8612-012	1.8 - 106	-	0.2 - 12.0	对面宽度 1/4"	1/4"和 3/8 "
8612-050	-	0.7 - 40.6	0.9 - 55.0	对面宽度 10	1/4"和 3/8 "
8612-300	-	7 - 236	9.0 - 320.0	对面宽度 17	3/8"和 1/2 "
8612-1000	-	66 - 811	90 - 1,100	对面宽度 36	1/2"和 3/4 "
8612-3150	-	369 - 2323	500 - 3,150	□ 1½ "	1 "

型号	尺寸		重量	
	[inch]	[mm]	[lb]	[kg]
8612-012	5.91 x 4.92 x 4.96	150 x 125 x 126	≈ 6.6	3
8612-050	5.91 x 4.92 x 4.96	150 x 114 x 126		
8612-300	5.91 x 4.65 x 4.96	150 x 118 x 126		
8612-1000	10.24 x 7.11 x 6.91	260 x 180.5 x 175.6	≈ 22	10
8612-3150	12.60 x 7.99 x 7.76	320 x 203 x 197	≈ 57.3	26

配衡(零点平衡)	当供电后自动进行
传感器	扭转阈值，DMS 全桥接线
测量精度	每测量值最大± 1% / ± 1 位数
扭矩显示	LC 显示屏
电源	12 V DC(直流)
温度范围	环境温度+ 18° 至+ 28° C
连接设置	RS232、9600 波特、无同位、8 数据位、1 停止位、无传输控制

GEDORE

TOOLS FOR LIFE

GEDORE Werkzeugfabrik GmbH & Co. KG

Remscheider Straße 149
42899 Remscheid · GERMANY

Vertrieb DEUTSCHLAND

T + 49 2191 596-900
F + 49 2191 596-999

Sales INTERNATIONAL

T + 49 2191 596-910
F + 49 2191 596-911
info@gedore.com

Only for USA, Canada & Mexico
Sólo para EE.UU., Canadá y México
Seulement pour les USA, le Canada et
le Mexique

GEDORE TOOLS, INC.

7187 Bryhawke Circle, Suite 700
North Charleston, SC 29418
USA

Phone +1-843 / 225 50 15
Fax +1-843 / 225 50 20

info@gedoretools.com

GEDORE WELTWEIT GEDORE WORLDWIDE

Weltweite GEDORE Servicestellen / Niederlassungen
finden Sie im Internet unter: www.gedore.com

Worldwide GEDORE service centers /
offices are listed on the Internet at: www.gedore.com
